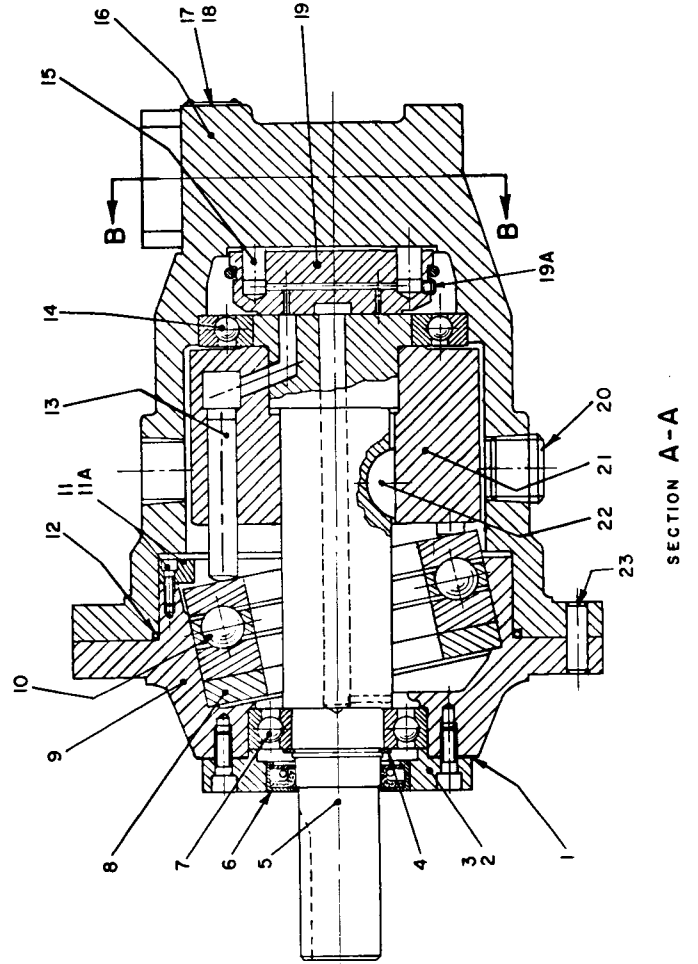
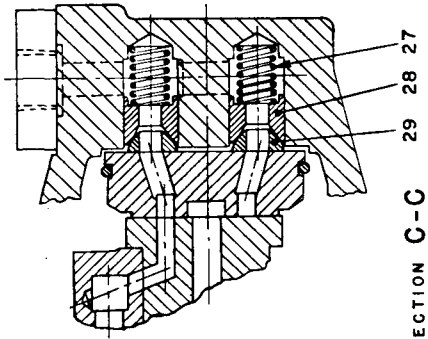
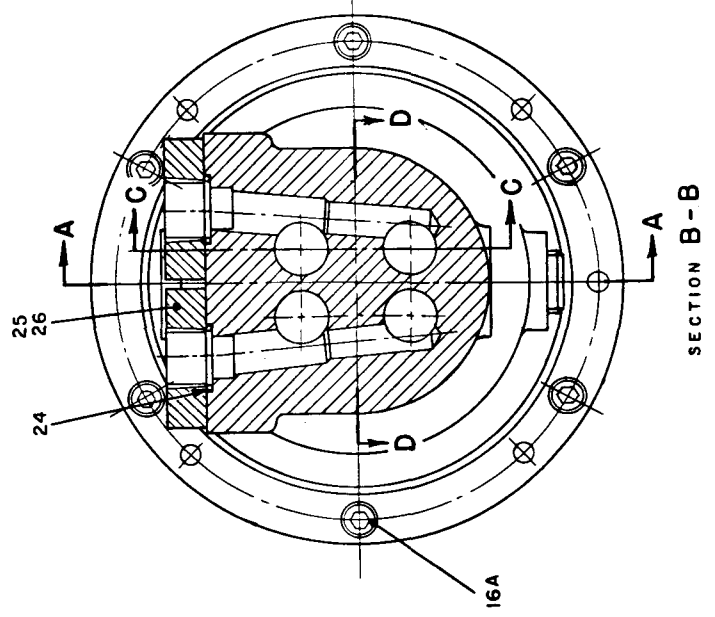
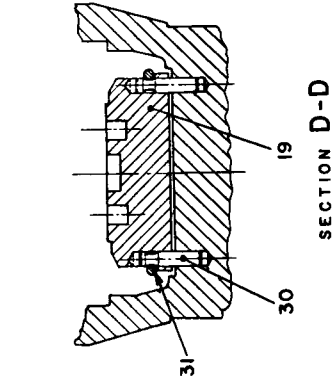


OILGEAR TYPE "H-12" AXIAL FLAT VALVE MOTORS

500876

LITHO IN U.S.A.



NOTE:
 WHEN ORDERING REPAIR PARTS
 BE SURE TO INCLUDE PUMP
 SERIAL NUMBER, DATA SHEET
 NUMBER AND PART NUMBER.
 WHEN ORDERING REPLACEMENT
 O-RINGS SPECIFY TYPE OF
 HYDRAULIC FLUID.

TR.	DR. A.M. CH.	APPROV.	PARTS DRAWING
978005	OILGEAR TYPE "H-12" MOTOR		

ISSUED OCT. 8, 1958

THE OILGEAR COMPANY
 MILWAUKEE 4, WISCONSIN, U.S.A.

DS-956607

PARTS LIST

OILGEAR TYPE "H-1211" MOTOR

NO.	DESCRIPTION	NO.	DESCRIPTION
1.	Gasket, Cover	16A.	Screw, Sock. Hd. Cap
2.	Cover, Oil Seal	17.	Plate, Name
3.	Screw, Sock. Hd. Cap	18.	Screw, Drive
4.	Ring, Retaining	19.	Valve, Flat
5.	Shaft, Drive	19A.	Plug, 1/16" Pipe
6.	Seal, Oil	20.	Plug, 1" Pipe
7.	Bearing, Frt. Shaft	21.	Cylinder, Motor
8.	Spacer, Thrust Brg.	22.	Key, Shaft
9.	Housing, Frt. Brg.	23.	Pin, Dowel
10.	Bearing, Thrust	*24.	Packing, O'Ring
11.	Key, Bearing		1/8 x 1-3/8 x 1-5/8 - 90
11A.	Screw, Sock. Hd. Cap	25.	Flange, Port
*12.	Packing, O'Ring	26.	Screw, Sock. Hd. Cap
	1/8 x 7-3/4 x 8 - 90	27.	Spring, Back-Up Piston
13.	Piston, Cylinder	28.	Piston, Back-Up
14.	Bearing, Rear Shaft	29.	Tumbler, Back-Up Piston
15.	Piston, Compensating	30.	Pin, Guide
16.	Case, Motor	31.	Ring, Retaining

*O'Ring sizes Cross section x I.D. x O.D. - Duro hardness (\pm 5).

When ordering replacement parts, be sure to include serial number of motor
 When ordering O'Rings, specify type of Hydraulic Fluid.

THE OILGEAR COMPANY
 Milwaukee 4, Wisconsin, U.S.A.