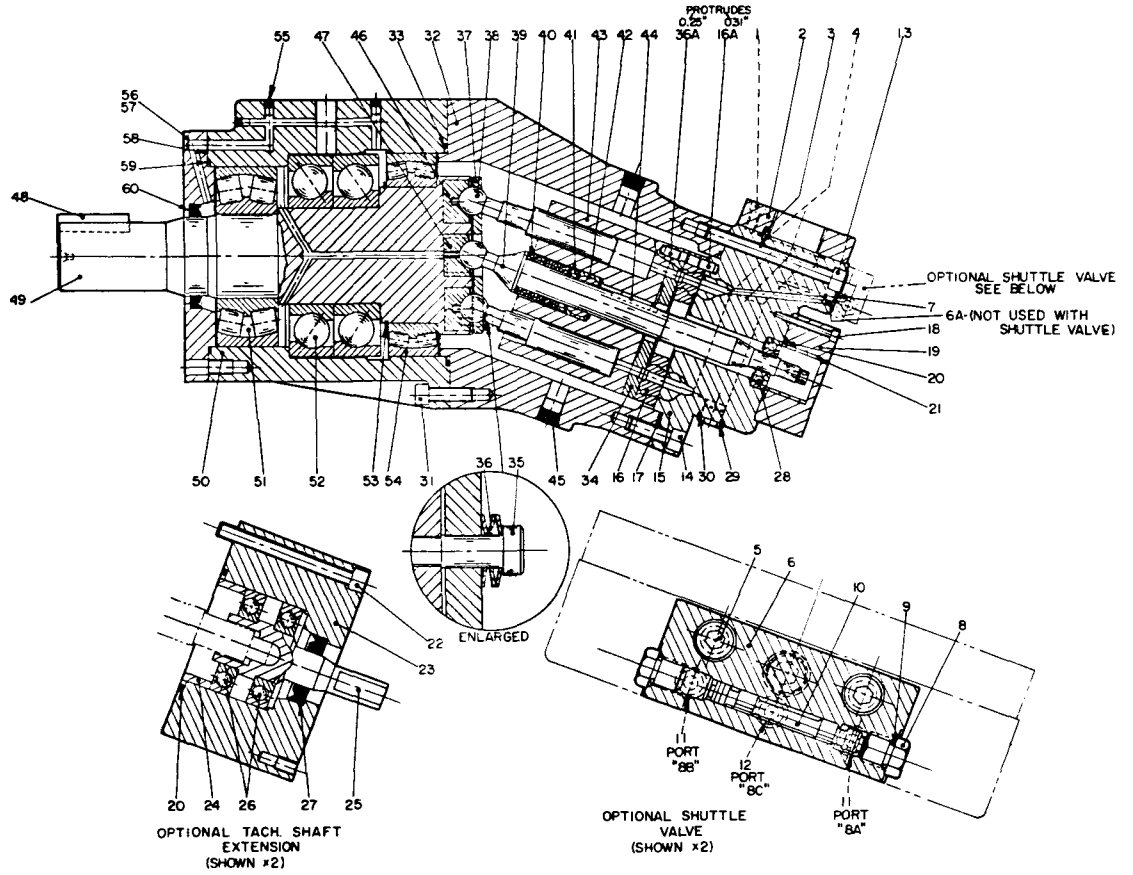


OILGEAR TYPE "MFS-080" FIXED DISPLACEMENT MOTOR



PRINTED IN U.S.A.

PARTS DRAWING, TYPE "MFS-080"	
FIXED DISPLACEMENT MOTOR	
DR. TF	CH.
TR.	APP.
509665	

ISSUED JUNE 1977

THE OILGEAR COMPANY
MILWAUKEE, WISCONSIN, U.S.A. 53216

DS-956910

PARTS LIST
TYPE "MFS-080" FIXED DISPLACEMENT MOTOR

<u>Item No.</u>	<u>Description</u>	<u>Item No.</u>	<u>Description</u>
1	Screw, Cap	31	Screw, Cap
2	Flange	32	Case, Rear
3	Seal, O'ring	33	Seal, O'ring
4	Retainer, O'ring	34	Plate, Wear
5	Screw, Cap	35	Screw, Shoulder Nylok
6	Manifold, Shuttle Valve	36	Spring, Belleville Washer
6A	Plug, Pipe	36A	Pin, Dowel
7	Seal, O'ring	37	Plate, Harness
8	Plug, Hex Hd.	38	Piston, Assembly
9	Seal, O'ring	39	Shaft, Cylinder
10	Plunger, Shuttle Valve	40	Spring
11	Plug, Orifice	41	Washer
12	Plug, Orifice	42	Bearing, Self-Aligning
13	Screw, Cap	43	Cylinder
14	Screw, Cap	44	Key, Cylinder Shaft
15	Head, Rear	45	Plug, pipe
16	Plate, Port	46	Seat, Pumping Piston
16A	Pin, Dowel	47	Seat, Cylinder Shaft
17	Seal, O'ring	48	Key, Driveshaft
18	Screw, Cap	49	Driveshaft
19	Cover, Rear	50	Housing, Front
20	Seal, O'ring	51	Bearing, Spherical Roller
21	Spacer	52	Bearing, Duplex Thrust
22	Screw, Cap	53	Ring, Retaining
23	Cover, Tach. Shaft Assembly	54	Bearing, Spherical Roller
24	Spacer, Tach. Shaft Assembly	55	Plug, Pipe
25	Shaft, Tachometer	56	Screw, Cap
26	Bearing, Ball	57	Gland, Front
27	Seal, Lip (Tach. Shaft)	58	Seal, O'ring
28	Bearing, Cylinder Shaft	59	Seal, O'ring
29	Plug	60	Seal, Lip
30	Seal, O'ring		

Parts used in this assembly are per Oilgear specifications. Use Oilgear parts to insure compatibility with assembly requirements. When ordering parts, be sure to specify type designation, "L-" number stamped on nameplate, data sheet (DS) number and item number. Specify type of hydraulic fluid for packings and seals.

O-RING SIZES
(Cross Section x O.D. - Duro \pm 5)

<u>Item No.</u>			
3	1/8 x 2-1/2		90
7	1/16 x 9/16		90
9	ARP 906		70
17	1/8 x 6-1/4		70
20	1/8 x 2-1/4		70
30	ARP 910		90
33	1/8 x 7-3/4		70
58	3/32 x 9/16		70
59	1/8 x 6-3/4		70