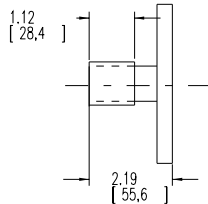

Installation Drawing
Basic Pump - Side Ported

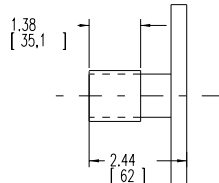
OPTIONAL SAE "C" SPLINE SHAFT
(SAE "32-4") (CODE K)

VIEW SHOWING OPTIONAL SPLINE SHAFT
SAE INVOLUTE SPLINE 14 TEETH, 12/24 PITCH
1.235-.005(31.37-.13) MAJOR DIA.



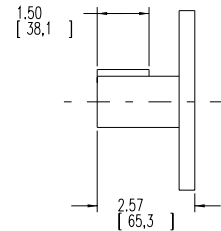
OPTIONAL SAE "C-C" SPLINE SHAFT
(SAE "38-4") (CODE S)

VIEW SHOWING OPTIONAL SPLINE SHAFT
SAE INVOLUTE SPLINE 17 TEETH, 12/24 PITCH
1.485-.005(37.72-.13) MAJOR DIA.

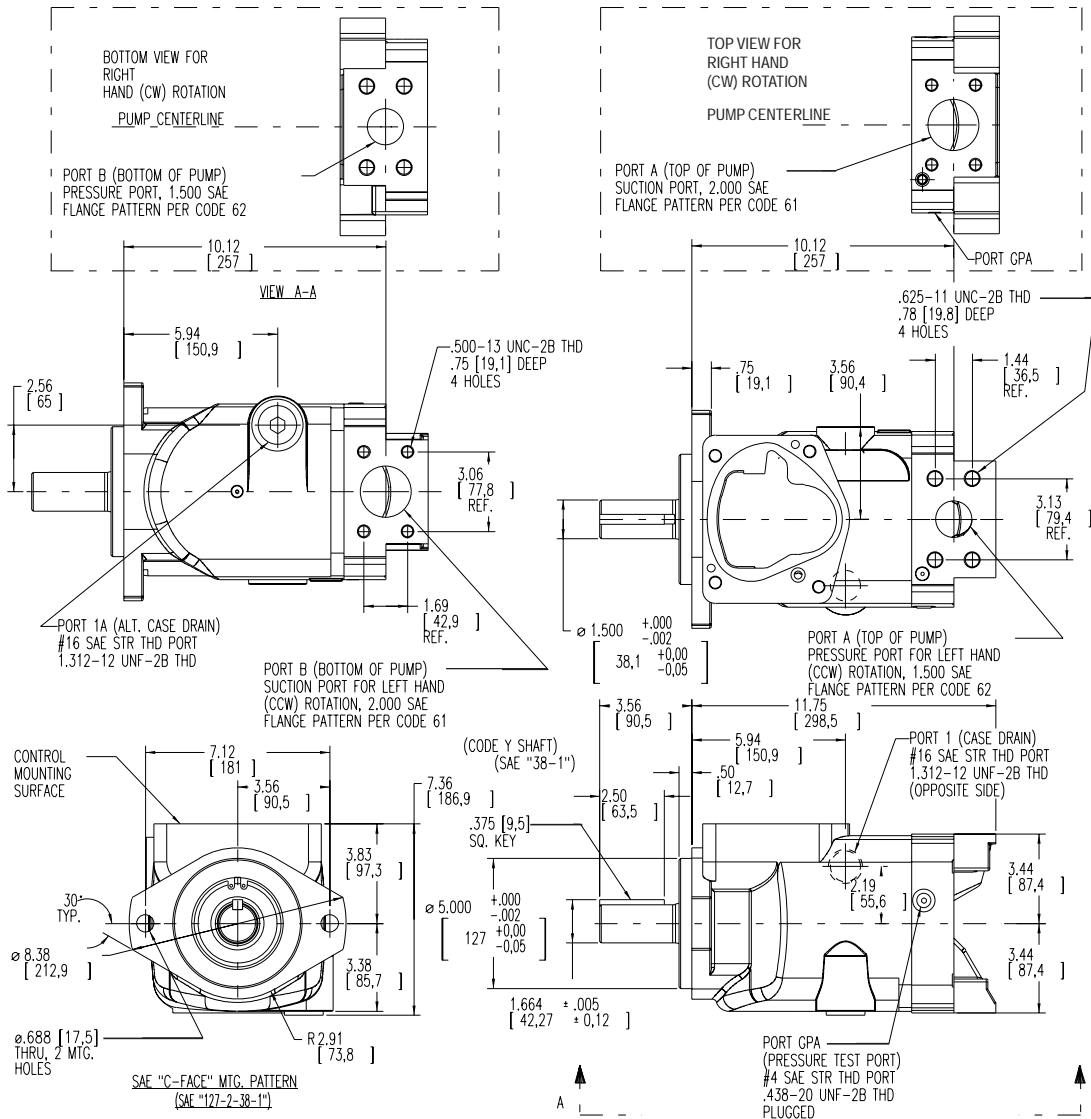


OPTIONAL KEYED SHAFT
(SAE "38-1") (CODE 2)

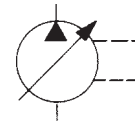
(FOR KEY & SHAFT
INFO SEE BELOW)


NOTES:

1. PUMPS DESIGNED FOR ONE-WAY SERVICE ARE DIMENSIONED AS SHOWN.
2. NUMERICAL DIMENSIONS GIVEN IN INCHES/(MM).
3. THESE UNITS ARE DESIGNED TO RUN CASE FULL OF FLUID AT ALL TIMES. FILL CASE BEFORE STARTING AND CONNECT DRAIN ACCORDINGLY.
4. NET WEIGHT - 95 LBS (42KG)

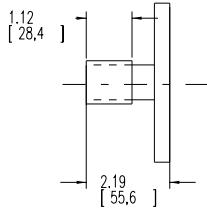


516152-203


Installation Drawing
Basic Pump - Side Ported

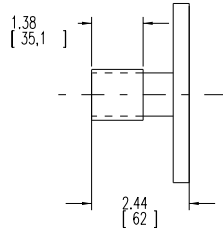
OPTIONAL SAE "C" SPLINE SHAFT
(SAE "32-4") (CODE K)

VIEW SHOWING OPTIONAL SPLINE SHAFT
SAE INVOLUTE SPLINE 14 TEETH, 12/24 PITCH
1.235-.005(31.37-.13) MAJOR DIA.



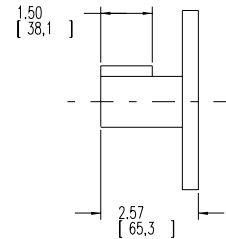
OPTIONAL SAE "C-C" SPLINE SHAFT
(SAE "38-4") (CODE S)

VIEW SHOWING OPTIONAL SPLINE SHAFT
SAE INVOLUTE SPLINE 17 TEETH, 12/24 PITCH
1.485-.005(37.72-.13) MAJOR DIA.



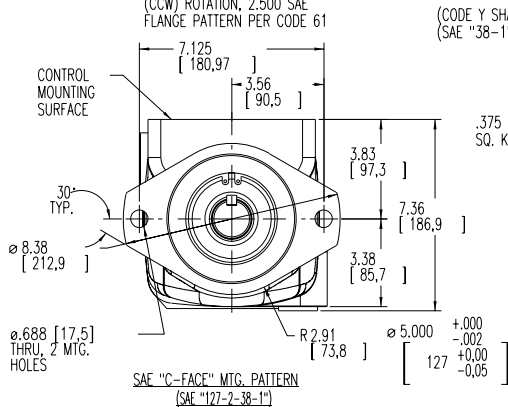
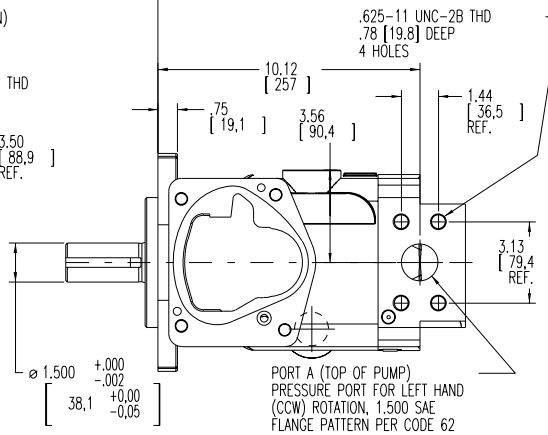
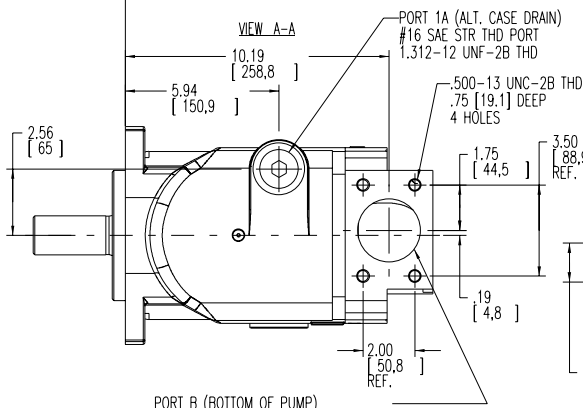
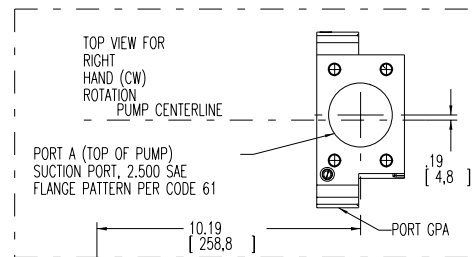
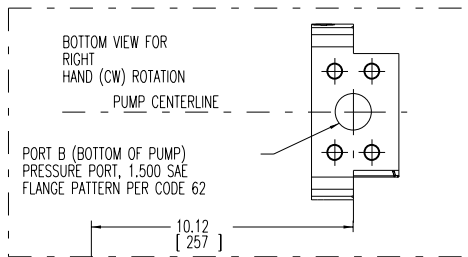
OPTIONAL KEYED SHAFT
(SAE "38-1") (CODE Z)

(FOR KEY & SHAFT
INFO. SEE BELOW)

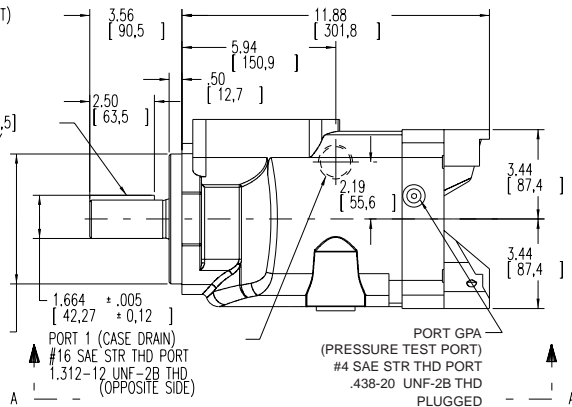


NOTES:

- PUMPS DESIGNED FOR ONE-WAY SERVICE ARE DIMENSIONED AS SHOWN.
- NUMERICAL DIMENSIONS GIVEN IN INCHES/(MM).
- THESE UNITS ARE DESIGNED TO RUN CASE FULL OF FLUID AT ALL TIMES. FILL CASE BEFORE STARTING AND CONNECT DRAIN ACCORDINGLY.
- NET WEIGHT - 95 LBS (42KG)



(CODE Y SHAFT)
(SAE "38-1")



516152-204