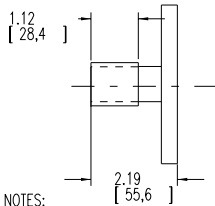


Installation Drawing

Basic Pump - Side Ported - Thru Shaft

OPTIONAL SAE "C" SPLINE SHAFT
(SAE "32-4") (CODE K)

VIEW SHOWING OPTIONAL SPLINE SHAFT
SAE INVOLUTE SPLINE 14 TEETH, 12/24 PITCH
1.235-.005(31.37-.13) MAJOR DIA.

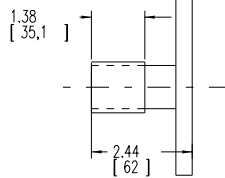


NOTES:

1. PUMPS DESIGNED FOR ONE-WAY SERVICE ARE DIMENSIONED AS SHOWN.
2. NUMERICAL DIMENSIONS GIVEN IN INCHES/(MM.).
3. FOR INFORMATION ON ADDITIONAL PUMP/ADAPTER MOUNTING SURFACE SEE DS-47945 & DS-47946.

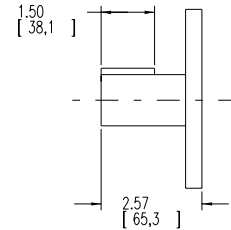
OPTIONAL SAE "C" SPLINE SHAFT
(SAE "38-4") (CODE S)

VIEW SHOWING OPTIONAL SPLINE SHAFT
SAE INVOLUTE SPLINE 17 TEETH, 12/24 PITCH
1.485-.005(37.72-.13) MAJOR DIA.

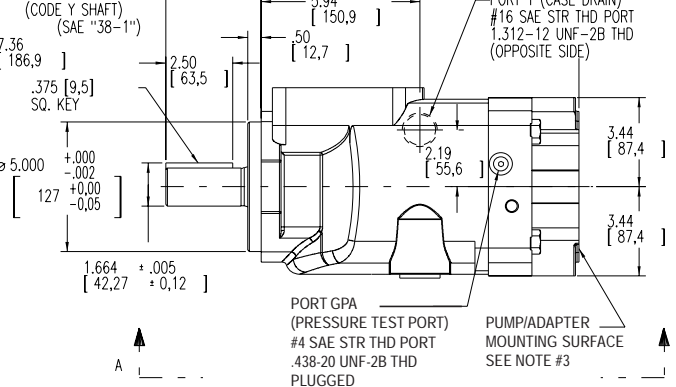
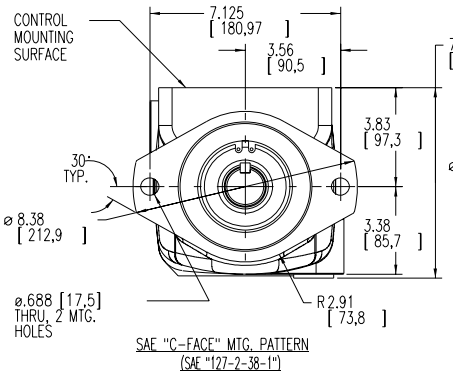
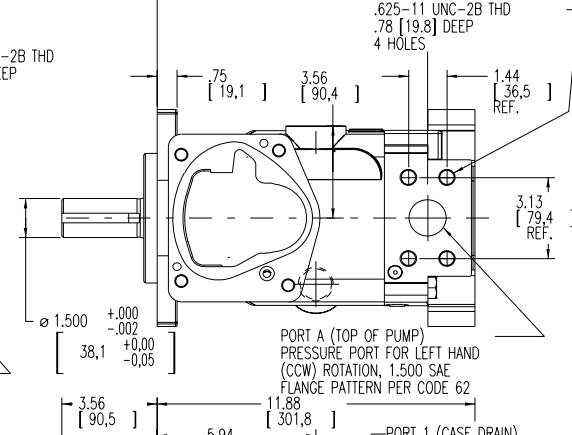
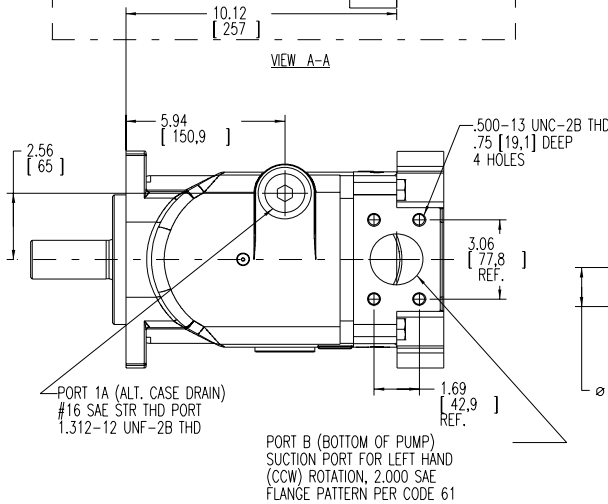
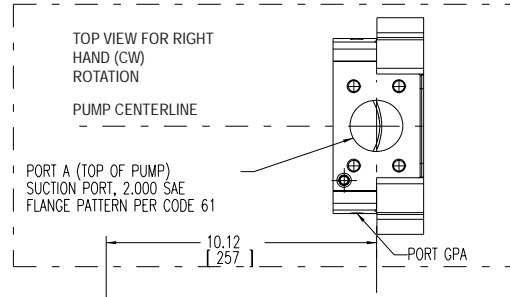
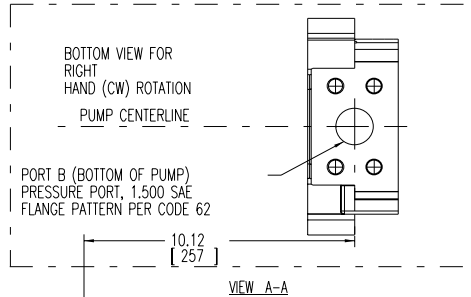


OPTIONAL KEYED SHAFT
(SAE "38-1") (CODE Z)

(FOR KEY & SHAFT
INFO SEE BELOW)

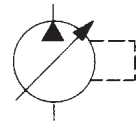


4. THESE UNITS ARE DESIGNED TO RUN CASE FULL OF FLUID AT ALL TIMES. FILL CASE BEFORE STARTING AND CONNECT DRAIN LINES ACCORDINGLY.
5. NET WEIGHT 95 LBS (42KG.)



516152-205

WITHOUT CONTROLS

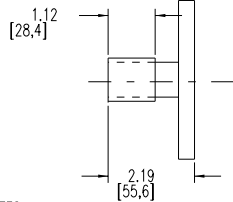


Installation Drawing

Basic Pump - Side Ported - Thru Shaft

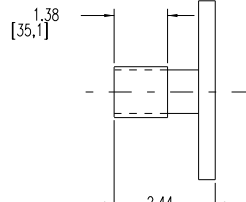
OPTIONAL SAE "C" SPLINE SHAFT
(SAE "32-4") (CODE K)

VIEW SHOWING OPTIONAL SPLINE SHAFT
SAE INVOLUTE SPLINE 14 TEETH, 12/24 PITCH
1.235-.005(31.37-.13) MAJOR DIA.



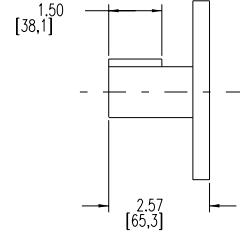
OPTIONAL SAE "C-C" SPLINE SHAFT
(SAE "38-4") (CODE S)

VIEW SHOWING OPTIONAL SPLINE SHAFT
SAE INVOLUTE SPLINE 17 TEETH, 12/24 PITCH
1.485-.005(37.72-.13) MAJOR DIA.



OPTIONAL KEYED SHAFT
(SAE "38-1") (CODE Z)

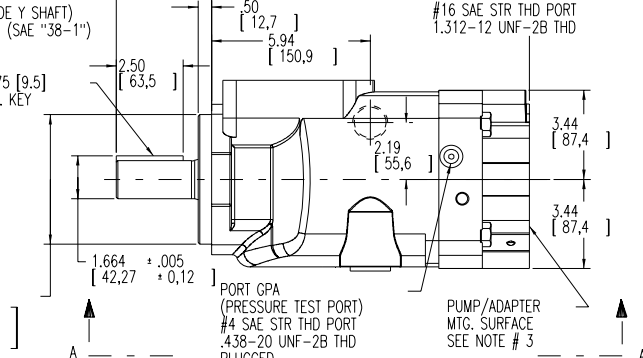
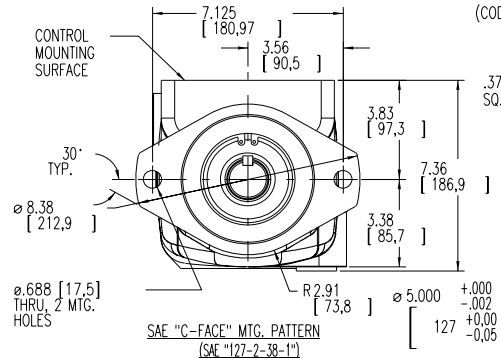
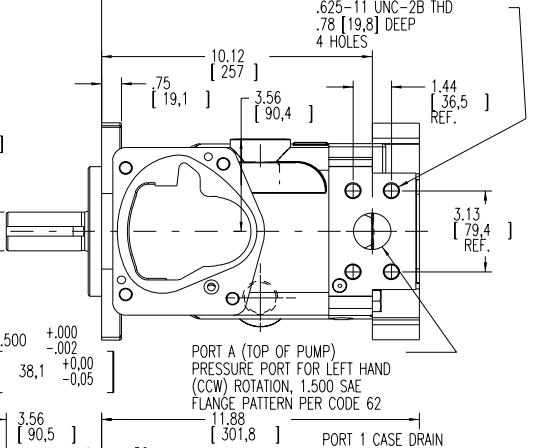
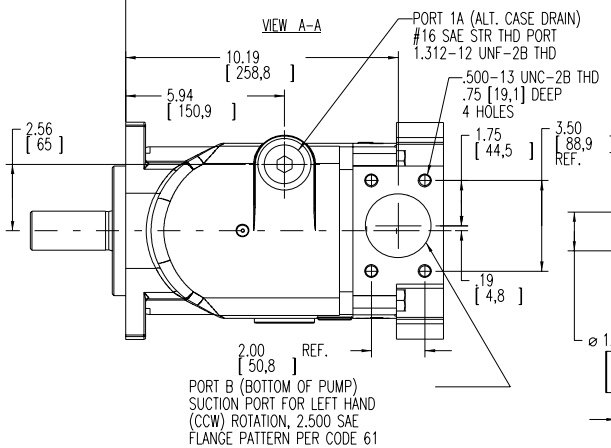
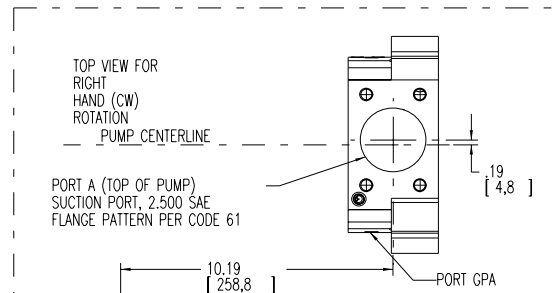
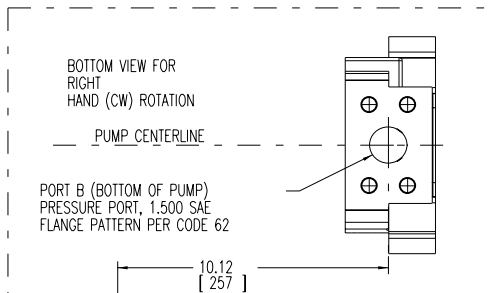
(FOR KEY & SHAFT
INFO SEE BELOW)



NOTES:

1. PUMPS DESIGNED FOR ONE-WAY SERVICE ARE DIMENSIONED AS SHOWN.
2. NUMERICAL DIMENSIONS GIVEN IN INCHES/(MM).
3. FOR INFORMATION ON ADDITIONAL PUMP/ADAPTER MOUNTING SURFACE SEE DS-47945 & DS-47946.

4. THESE UNITS ARE DESIGNED TO RUN CASE FULL OF FLUID AT ALL TIMES. FILL CASE BEFORE STARTING AND CONNECT DRAIN LINES ACCORDINGLY.
5. NET WEIGHT-95 LBS (42 KG.).



516152-206