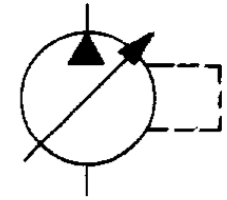
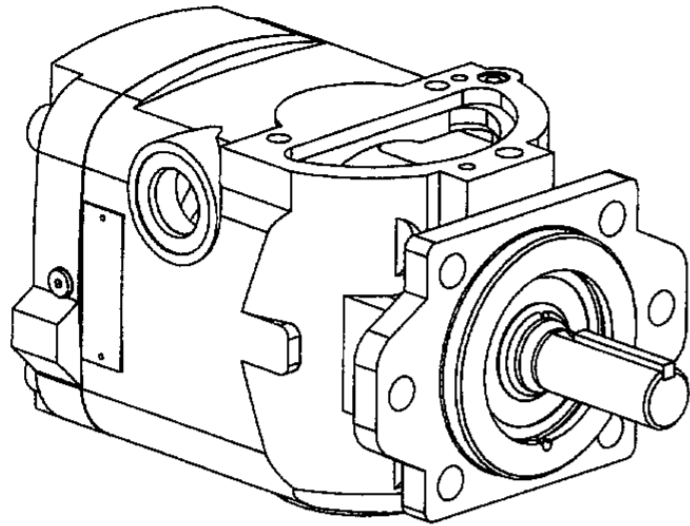


"PVG 075"



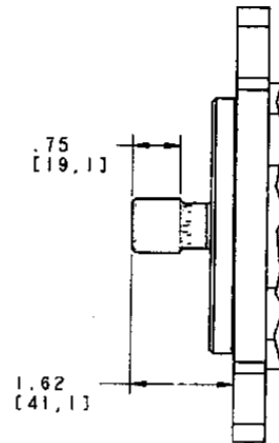
Installation Drawing

Basic Pump Without Control - Rear Ported



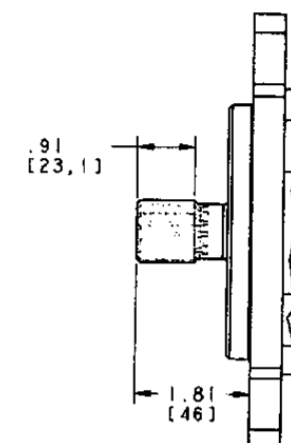
OPTIONAL SAE "B" SPLINE SHAFT (SAE "22-4")

VIEW SHOWING OPTIONAL SPLINE SHAFT
SAE INVOLUTE SPLINE 13 TEETH, 16/32 PITCH
.859-.005[21.82-.13] MAJOR DIA.



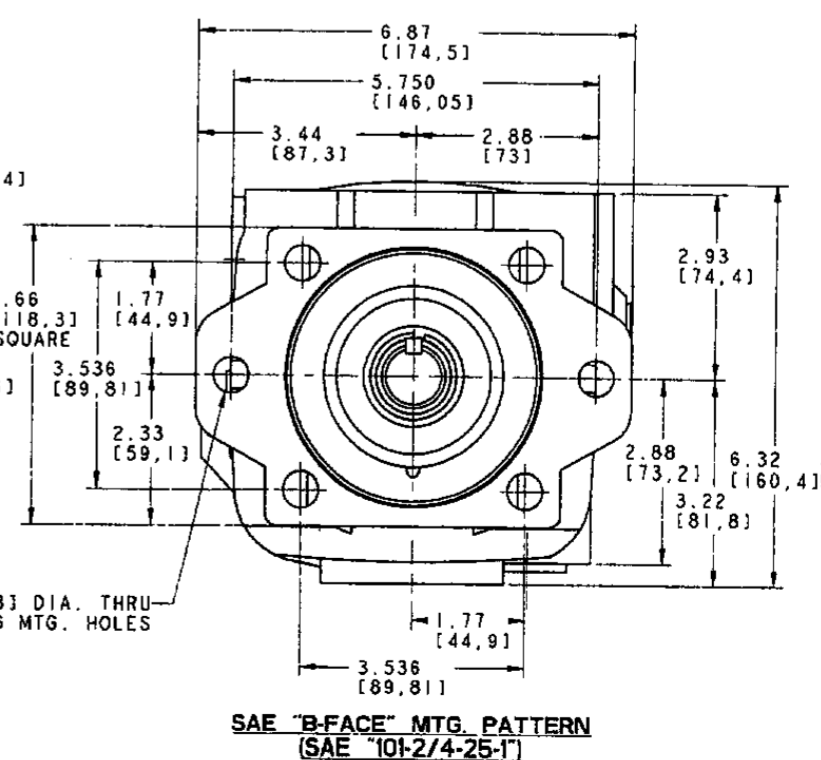
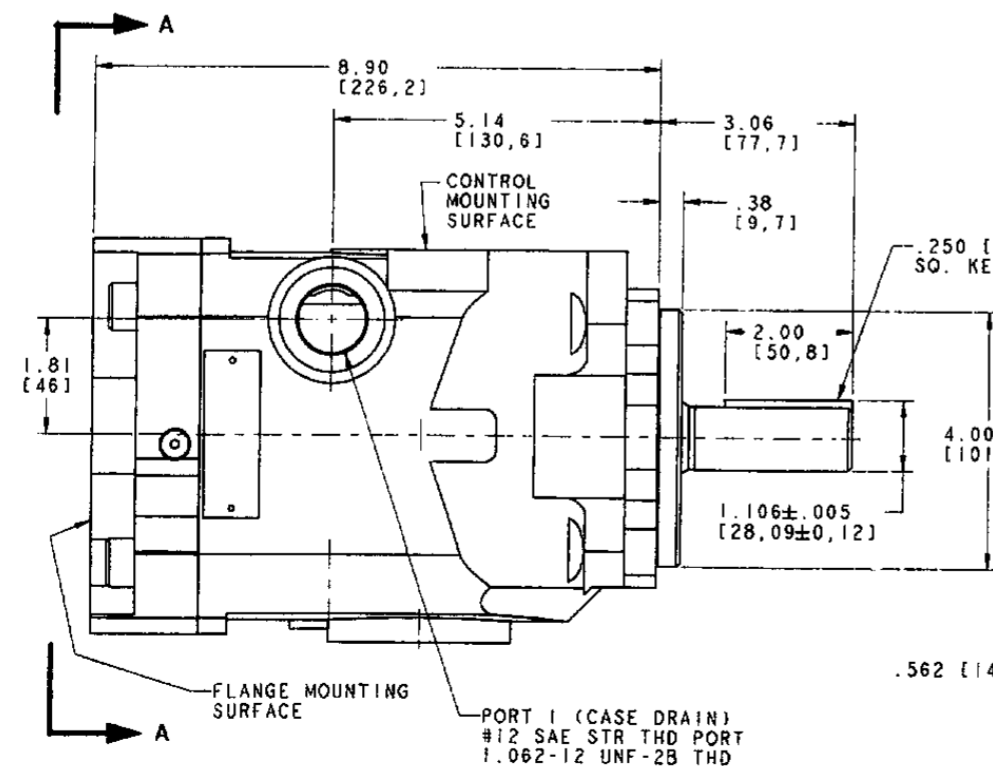
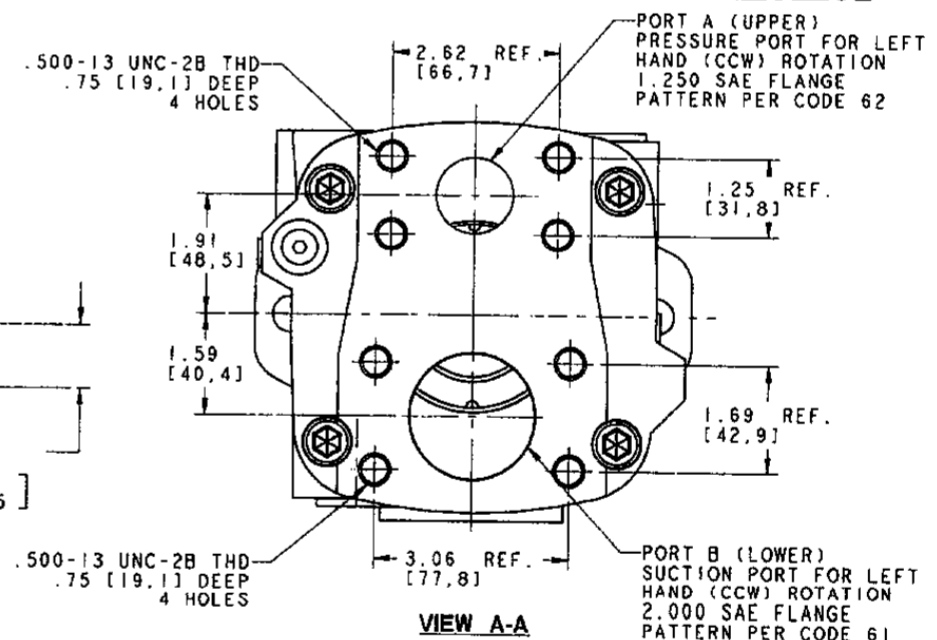
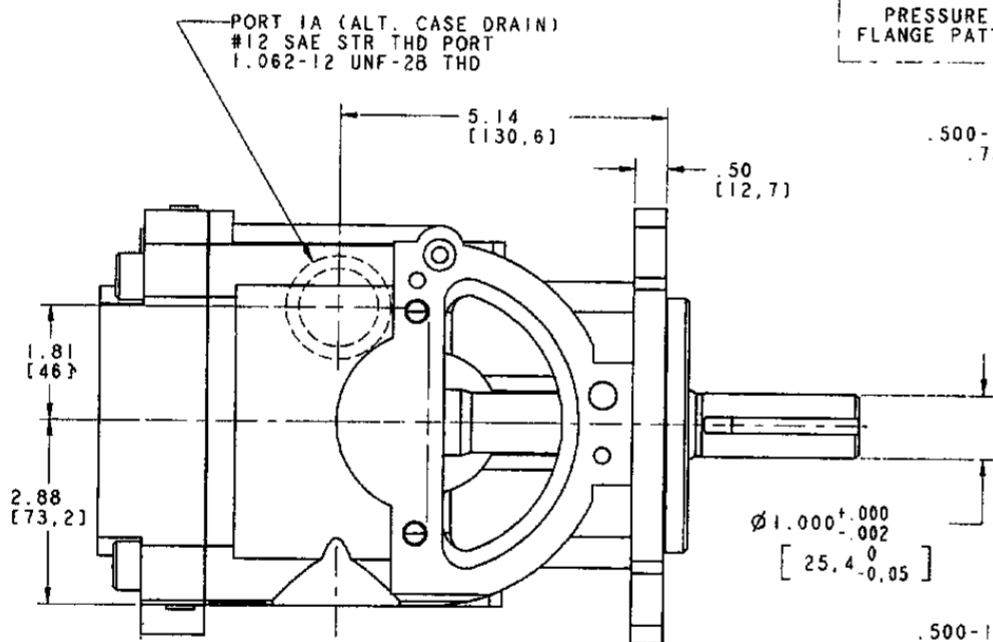
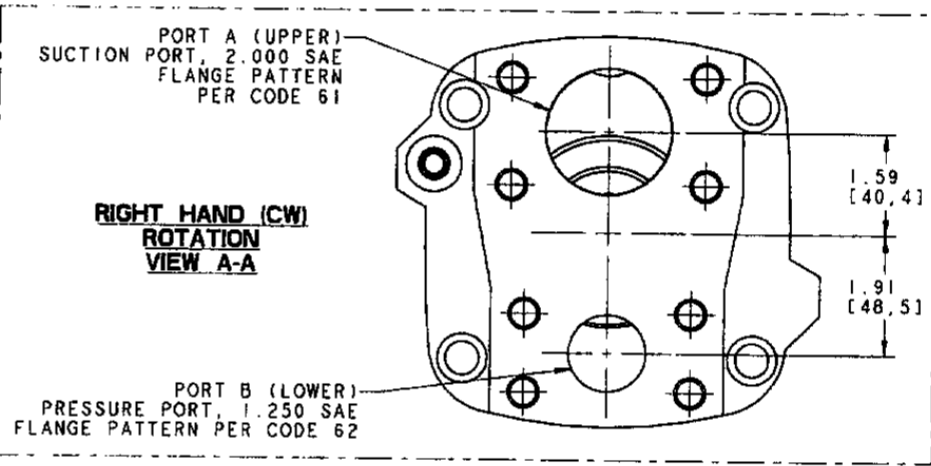
OPTIONAL SAE "B-B" SPLINE SHAFT (SAE "25-4")

VIEW SHOWING OPTIONAL SPLINE SHAFT
SAE INVOLUTE SPLINE 15 TEETH, 16/32 PITCH
.984-.005[25.00-.13] MAJOR DIA.



NOTES:

1. PUMPS DESIGNED FOR ONE-WAY SERVICE ARE DIMENSIONED AS SHOWN.
2. THESE UNITS ARE DESIGNED TO RUN CASE FULL OF FLUID AT ALL TIMES. FILL CASE BEFORE STARTING AND CONNECT DRAIN LINES ACCORDINGLY.
3. NUMERICAL DIMENSIONS GIVEN IN INCHES/[MM].
4. NET WEIGHT- 55 LBS [25 KG].



517118-001