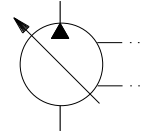
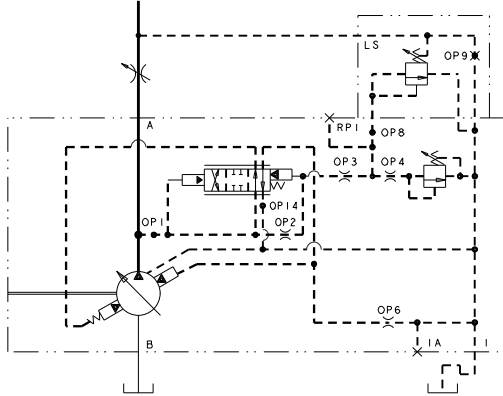


"P-1NN/F" CONTROL



INSTALLATION DRAWING

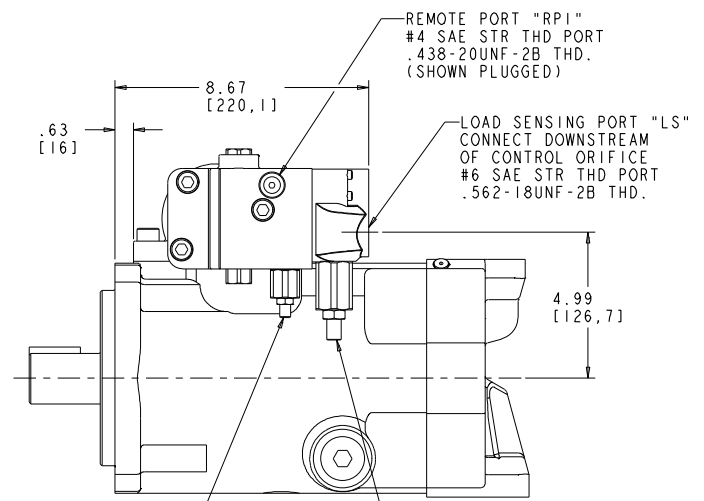
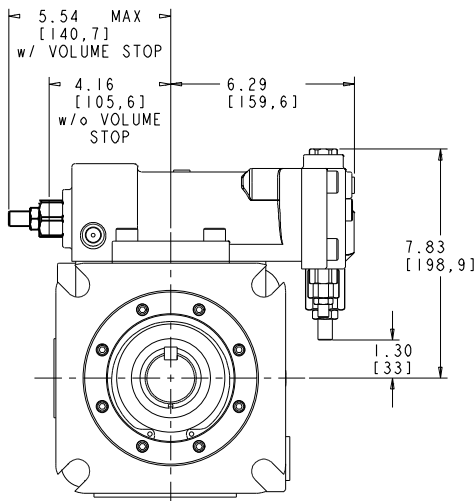
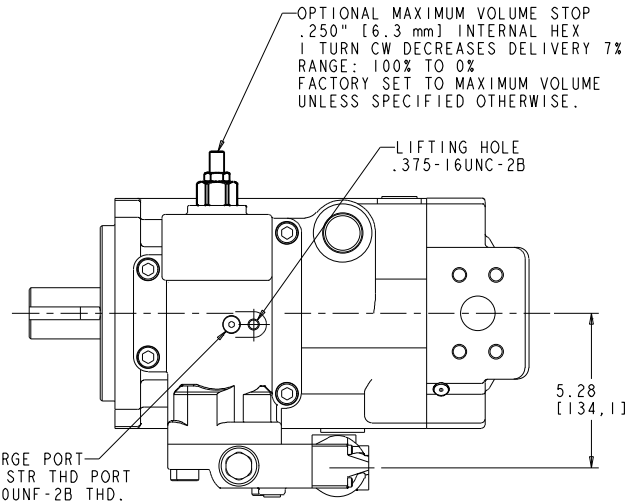
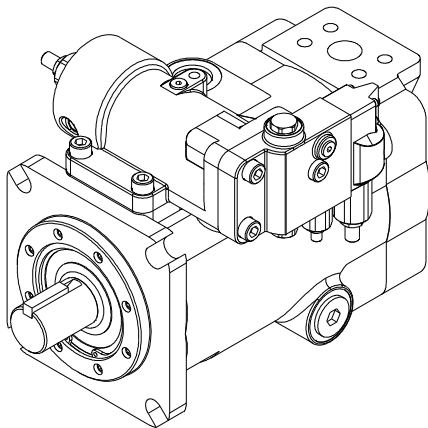
Single Pressure Compensator Control w/Load Sense



HYDRAULIC CIRCUIT

NOTES:

1. PUMPS DESIGNED FOR ONE-WAY SERVICE AND ARE DIMENSIONED AS SHOWN.
2. THESE UNITS ARE DESIGNED TO RUN CASE FULL OF FLUID AT ALL TIMES. FILL CASE BEFORE STARTING AND CONNECT DRAIN LINES ACCORDINGLY.
3. NUMERICAL DIMENSIONS GIVEN IN INCHES/[MM].
4. NET WEIGHT- 172 LBS [78 KG] FOR VERSION SHOWN
185 LBS [84 KG] FOR THRU SHAFT VERSION.



PRESSURE COMPENSATOR ADJUSTMENT
.188" [4.8 mm] INTERNAL HEX
1 TURN CW INCREASES PRESSURE SETTING 1000 PSI.
RANGE: 300 TO 5000 PSI
FACTORY SET AT MINIMUM UNLESS SPECIFIED OTHERWISE.

LOAD SENSE ADJUSTMENT
.188" [4.8 mm] INTERNAL HEX
1 TURN CW INCREASES PRESSURE DIFFERENTIAL 40 PSI.
RANGE: 235 TO 750 PSI
FACTORY SET AT 250 ± 25 PSI UNLESS SPECIFIED OTHERWISE.

FOR BASIC PUMP DIMENSIONS SEE PLANOGRAPHS:
DS-47375, DS-47376

520241-104

Telephone: (414) 327-1700
Fax: (414) 327-0532

OILGEAR
2300 So. 51st Street
Milwaukee, WI USA 53219

Issued: November, 2009

DS-47378