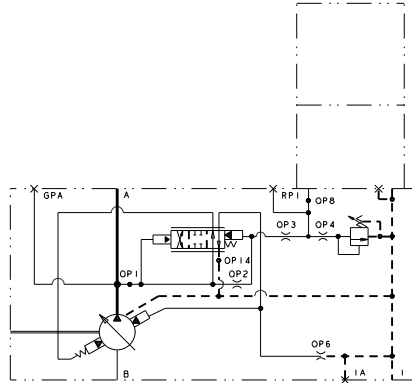
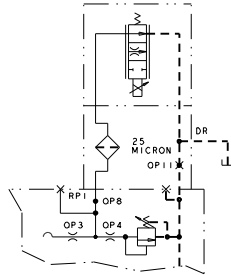


### INSTALLATION DRAWING

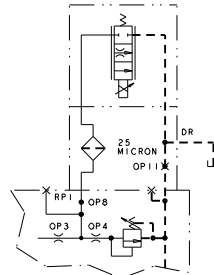
### Electronic Pressure Compensator Controls



**HYDRAULIC CIRCUIT**



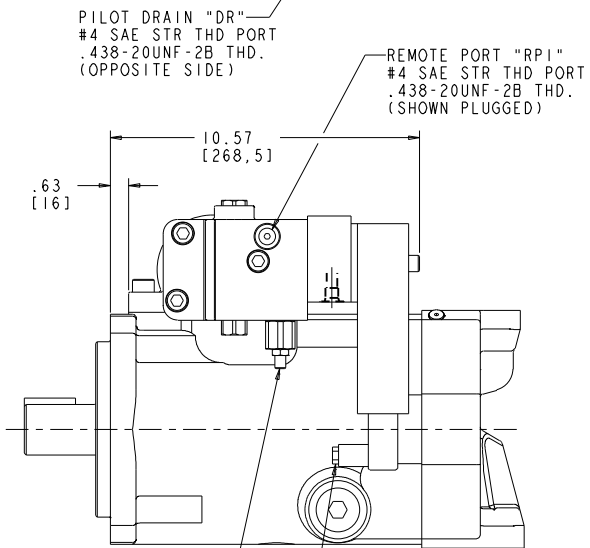
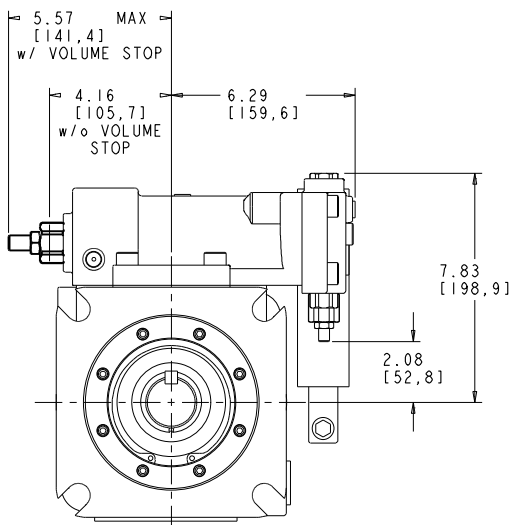
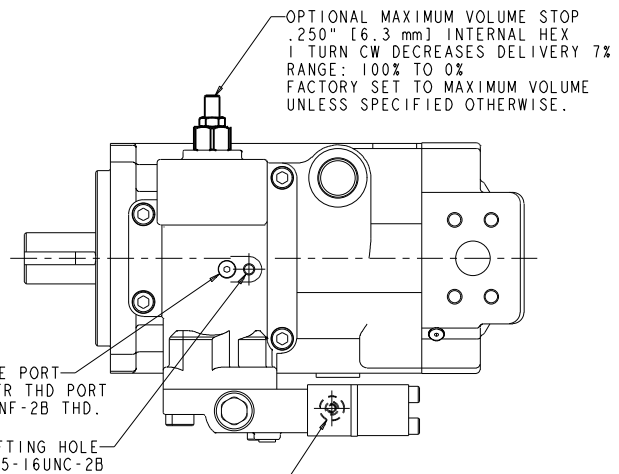
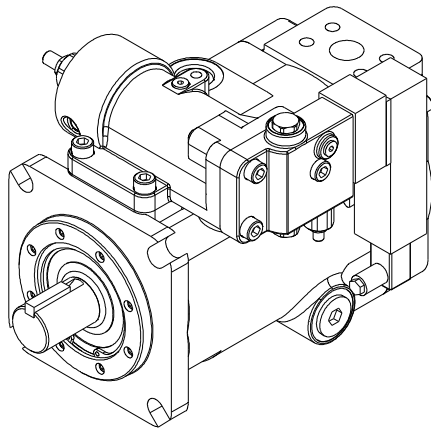
NORMALLY OPEN  
(P-A)



NORMALLY CLOSED  
(P-B)

**NOTES:**

1. PUMPS DESIGNED FOR ONE-WAY SERVICE AND ARE DIMENSIONED AS SHOWN.
2. THESE UNITS ARE DESIGNED TO RUN CASE FULL OF FLUID AT ALL TIMES. FILL CASE BEFORE STARTING AND CONNECT DRAIN LINES ACCORDINGLY.
3. NUMERICAL DIMENSIONS GIVEN IN INCHES/[MM].
4. NET WEIGHT- 174 LBS [79 KG] FOR VERSION SHOWN  
187 LBS [85 KG] FOR THRU SHAFT VERSION.



PRESSURE COMPENSATOR ADJUSTMENT  
.188" [4.8 mm] INTERNAL HEX  
1 TURN CW INCREASES PRESSURE SETTING 1000 PSI.  
RANGE: 300 TO 5000 PSI  
FACTORY SET AT MINIMUM UNLESS  
SPECIFIED OTHERWISE.

INCREASING CURRENT TO INCREASE  
PRESSURE COMPENSATOR SETTING  
FOR NORMALLY OPEN (P-A) CONTROL.

INCREASING CURRENT TO DECREASE  
PRESSURE COMPENSATOR SETTING  
FOR NORMALLY CLOSED (P-B) CONTROL.

FOR BASIC PUMP DIMENSIONS SEE PLANOGRAPHS:  
DS-47375, DS-47376

520241-111

Telephone: (414) 327-1700  
Fax: (414) 327-0532

**OILGEAR**  
2300 So. 51st Street  
Milwaukee, WI USA 53219

Issued: November, 2009

**DS-47383**