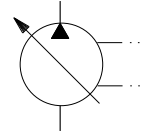
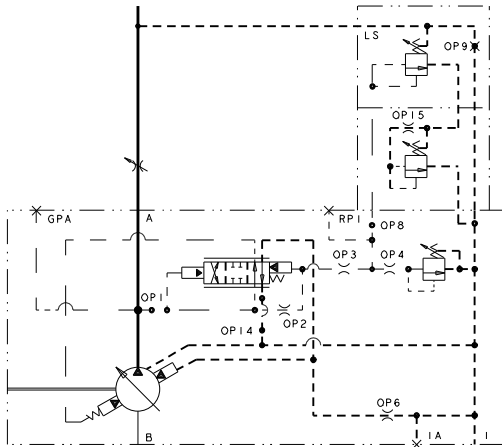


## "P-1NN/K" CONTROL



### INSTALLATION DRAWING

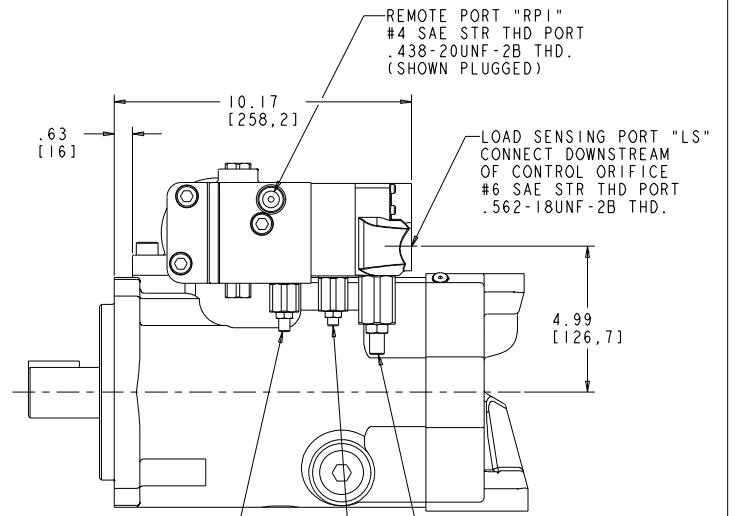
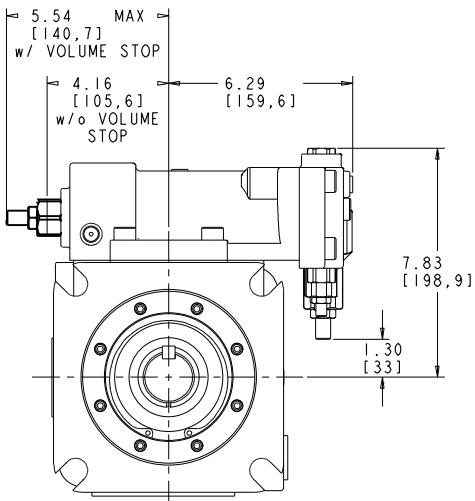
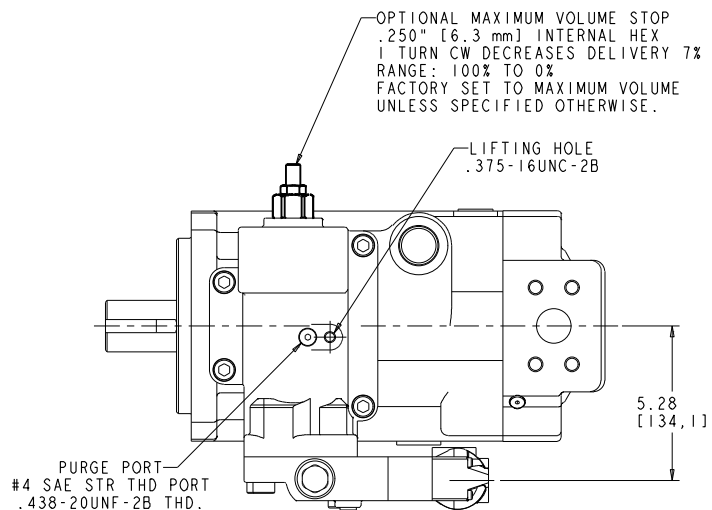
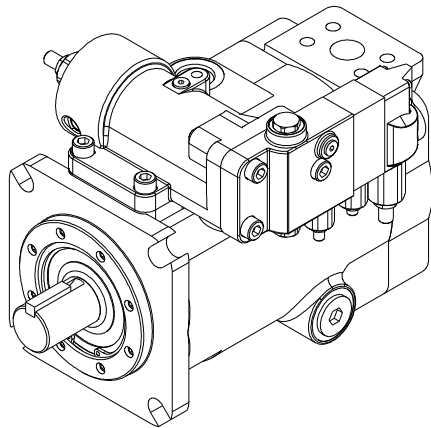
### Single Pressure Compensator Control w/Load Sense (Minimum Standby)



**HYDRAULIC CIRCUIT**

**NOTES:**

1. PUMPS DESIGNED FOR ONE-WAY SERVICE AND ARE DIMENSIONED AS SHOWN.
2. THESE UNITS ARE DESIGNED TO RUN CASE FULL OF FLUID AT ALL TIMES. FILL CASE BEFORE STARTING AND CONNECT DRAIN LINES ACCORDINGLY.
3. NUMERICAL DIMENSIONS GIVEN IN INCHES/[MM].
4. NET WEIGHT- 173 LBS [79 KG] FOR VERSION SHOWN  
186 LBS [85 KG] FOR THRU SHAFT VERSION.



**PRESSURE COMPENSATOR ADJUSTMENT**  
.188" [4.8 mm] INTERNAL HEX  
1 TURN CW INCREASES PRESSURE SETTING 1000 PSI.  
RANGE: 300 TO 5000 PSI  
FACTORY SET AT MINIMUM UNLESS SPECIFIED OTHERWISE.

**LOAD SENSE ADJUSTMENT**  
.188" [4.8 mm] INTERNAL HEX  
1 TURN CW INCREASES PRESSURE DIFFERENTIAL 40 PSI  
RANGE: 235 TO 750 PSI  
FACTORY SET AT 250 ± 25 PSI UNLESS SPECIFIED OTHERWISE.

**MINIMUM STANDBY ADJUSTMENT**  
.188" [4.8 mm] INTERNAL HEX  
1 TURN CW INCREASES PRESSURE SETTING 130 PSI.  
RANGE: 210 TO 900 PSI

520241-112

FOR BASIC PUMP DIMENSIONS SEE PLANOGRAPHS:  
DS-47375, DS-47376

Telephone: (414) 327-1700  
Fax: (414) 327-0532

**OILGEAR**  
2300 So. 51st Street  
Milwaukee, WI USA 53219

Issued: November, 2009

**DS-47385**