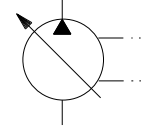


" A1 "

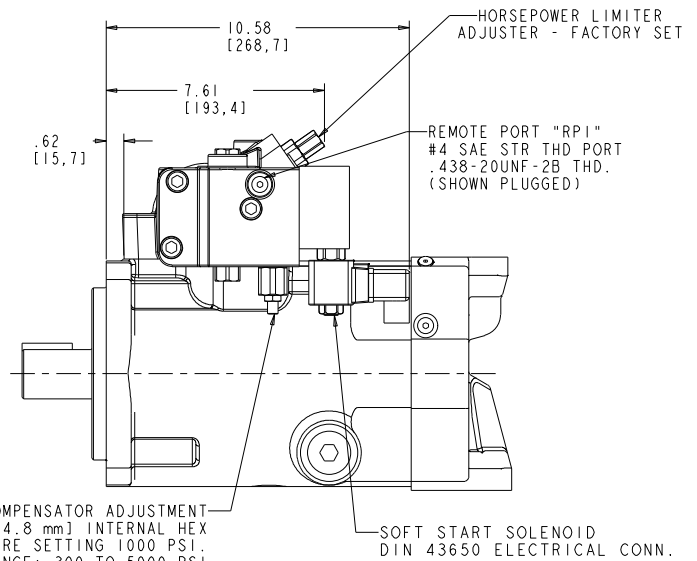
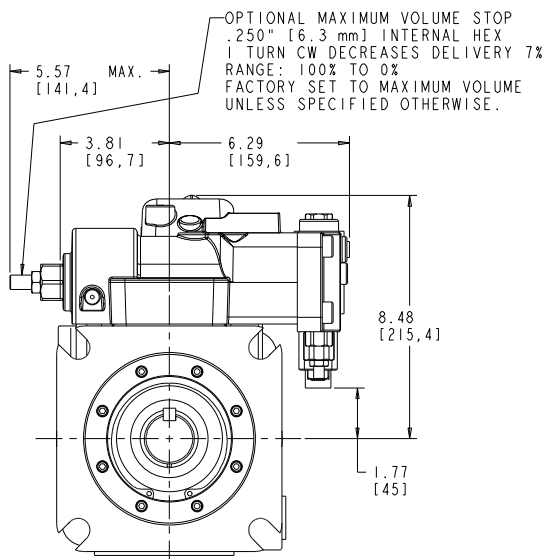
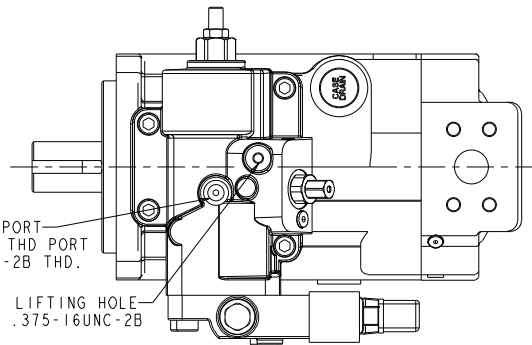
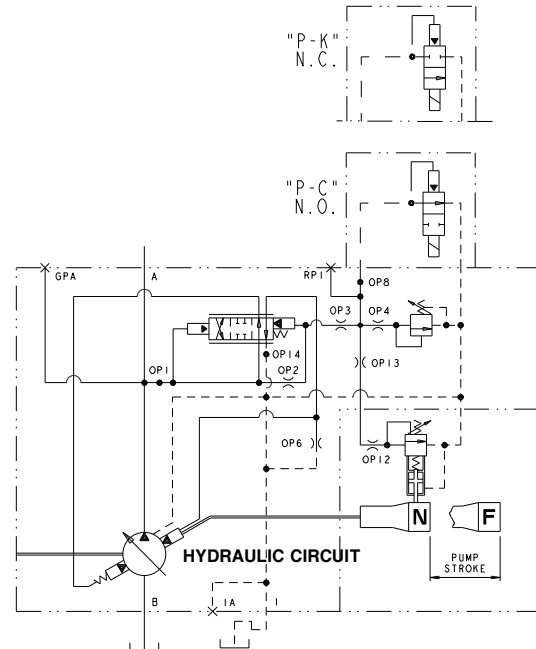
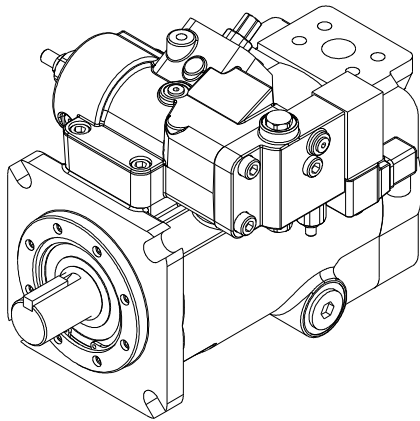
" P-C\*\*/H " "P-K\*\*/H" CONTROL



**INSTALLATION DRAWING    Soft Start w/ Single Pressure Compensator Control & Horsepower Limiter**

**NOTES:**

1. PUMPS DESIGNED FOR ONE-WAY SERVICE AND ARE DIMENSIONED AS SHOWN.
2. THESE UNITS ARE DESIGNED TO RUN CASE FULL OF FLUID AT ALL TIMES. FILL CASE BEFORE STARTING AND CONNECT DRAIN LINES ACCORDINGLY.
3. NUMERICAL DIMENSIONS GIVEN IN INCHES/[MM].
4. NET WEIGHT- 191 LBS [84 KG] FOR VERSION SHOWN  
206 LBS [91 KG] FOR THRU SHAFT VERSION.



PRESSURE COMPENSATOR ADJUSTMENT  
.188" [4.8 mm] INTERNAL HEX  
1 TURN CW INCREASES PRESSURE SETTING 1000 PSI.  
RANGE: 300 TO 5000 PSI

FOR BASIC PUMP DIMENSIONS SEE PLANOGRAPHS:  
DS-47375, DS-47376

520241-416

Issued: January, 2019