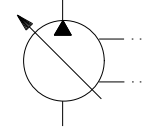


" A1 "

" P-2\*\*/H " CONTROL

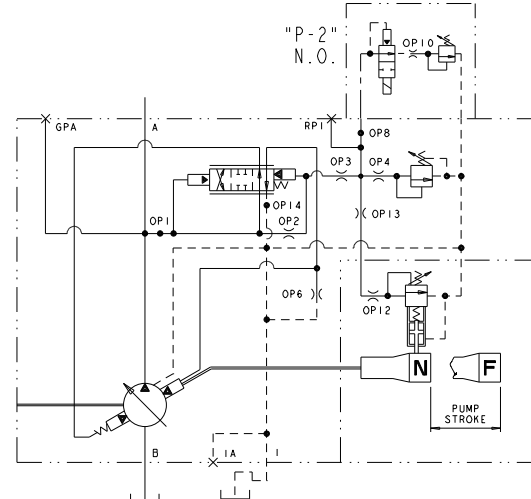


**INSTALLATION DRAWING**

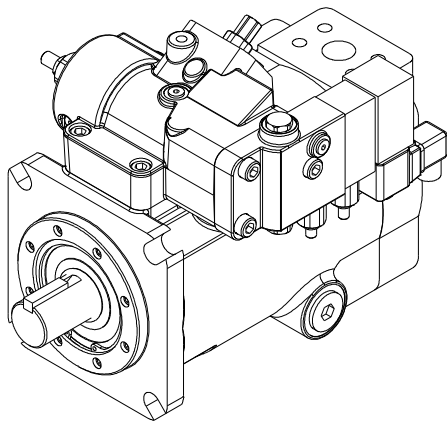
**Dual Pressure Compensator Control & Horsepower Limiter**

**NOTES:**

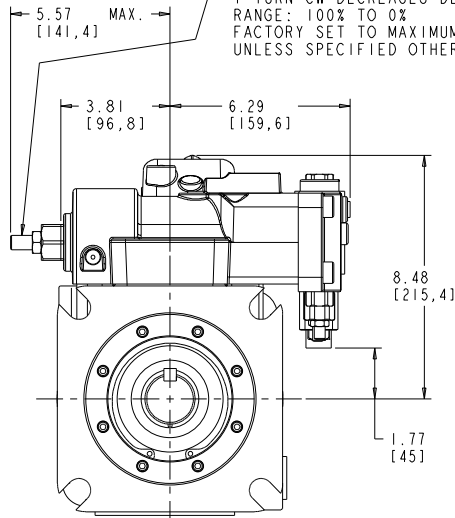
1. PUMPS DESIGNED FOR ONE-WAY SERVICE AND ARE DIMENSIONED AS SHOWN.
2. THESE UNITS ARE DESIGNED TO RUN CASE FULL OF FLUID AT ALL TIMES. FILL CASE BEFORE STARTING AND CONNECT DRAIN LINES ACCORDINGLY.
3. NUMERICAL DIMENSIONS GIVEN IN INCHES/[MM].
4. NET WEIGHT- 193 LBS [85 KG] FOR VERSION SHOWN  
208 LBS [92 KG] FOR THRU SHAFT VERSION.



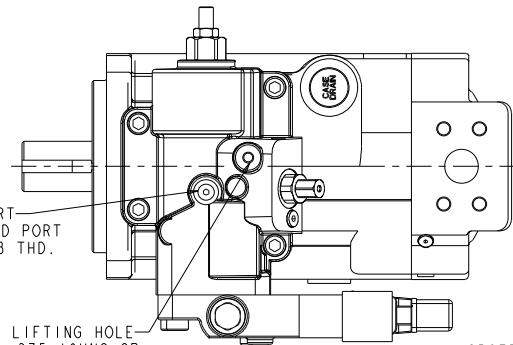
**HYDRAULIC CIRCUIT**



OPTIONAL MAXIMUM VOLUME STOP  
.250" [6.3 mm] INTERNAL HEX  
1 TURN CW DECREASES DELIVERY 7%  
RANGE: 100% TO 0%  
FACTORY SET TO MAXIMUM VOLUME  
UNLESS SPECIFIED OTHERWISE.

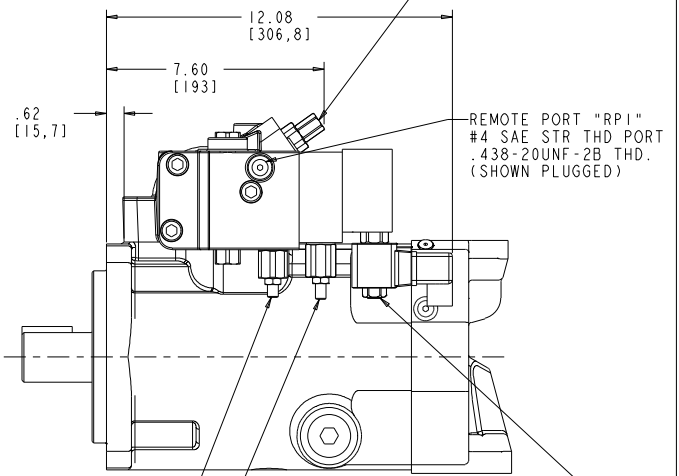


PURGE PORT  
#4 SAE STR THD PORT  
.438-20UNF-2B THD.



LIFTING HOLE  
.375-16UNC-2B

HORSEPOWER LIMITER  
ADJUSTER - FACTORY SET



REMOTE PORT "RP1"  
#4 SAE STR THD PORT  
.438-20UNF-2B THD.  
(SHOWN PLUGGED)

"P1" PRESSURE COMPENSATOR ADJUSTMENT  
.188" [4.8 mm] INTERNAL HEX  
1 TURN CW INCREASES PRESSURE SETTING 1000 PSI.  
RANGE: 300 TO 5000 PSI

"P2" PRESSURE COMPENSATOR ADJUSTMENT  
.188" [4.8 mm] INTERNAL HEX  
1 TURN CW INCREASES PRESSURE SETTING 1000 PSI.  
RANGE: 300 TO 5000 PSI

PRESSURE SELECTOR SOLENOID  
DIN 43650 ELECTRICAL CONN.

FOR BASIC PUMP DIMENSIONS SEE PLANOGRAPHS:  
DS-47375, DS-47376