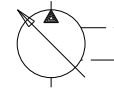


" F1 "

" P-2**/H " CONTROL

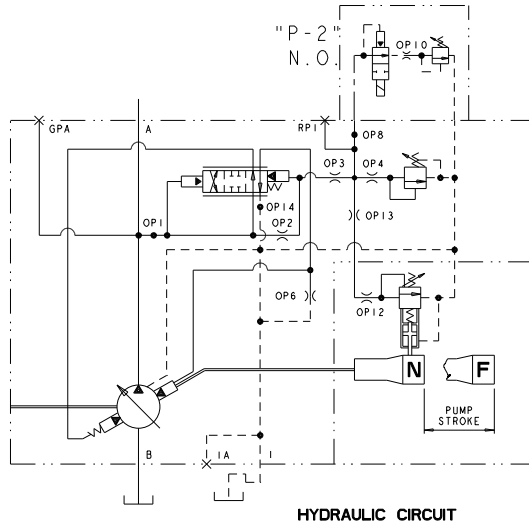


INSTALLATION DRAWING

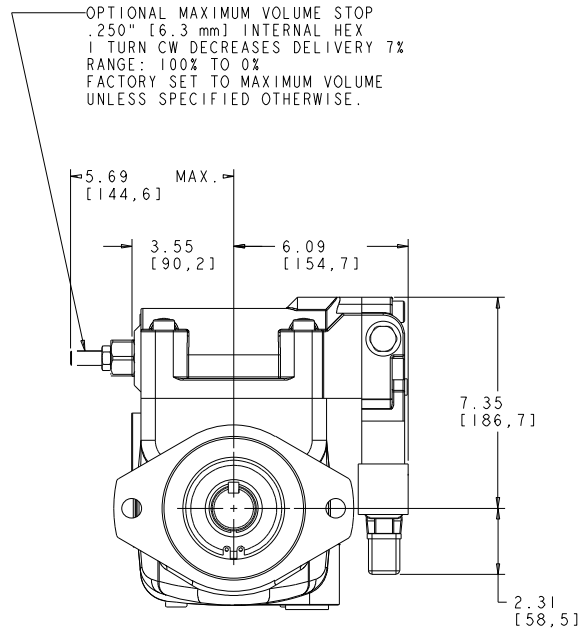
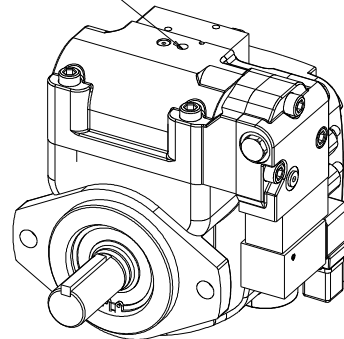
Dual Pressure Compensator Control & Horsepower Limiter

NOTES:

1. PUMPS DESIGNED FOR ONE-WAY SERVICE AND ARE DIMENSIONED AS SHOWN.
2. THESE UNITS ARE DESIGNED TO RUN CASE FULL OF FLUID AT ALL TIMES. FILL CASE BEFORE STARTING AND CONNECT DRAIN LINES ACCORDINGLY.
3. NUMERICAL DIMENSIONS GIVEN IN INCHES/[MM].
4. NET WEIGHT - 132 LBS [56 KG] FOR VERSION SHOWN
135 LBS [57 KG] FOR SIDE PORT VALVE PLATE
142 LBS [62 KG] FOR THRU SHAFT VERSION.



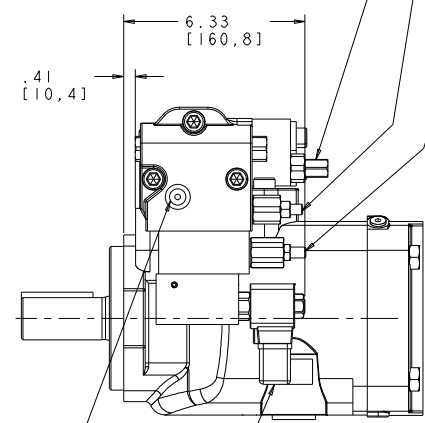
LIFTING HOLE
.375-16UNC-2B



LOW PRESSURE COMPENSATOR ADJUSTMENT
.188" [4.8 mm] INTERNAL HEX
1 TURN CW INCREASES PRESSURE SETTING 1000 PSI.
RANGE: 300 TO 3750 PSI (130) 5000 PSI (100)

HIGH PRESSURE COMPENSATOR ADJUSTMENT
.188" [4.8 mm] INTERNAL HEX
1 TURN CW INCREASES PRESSURE SETTING 1000 PSI.
RANGE: 300 TO 3750 PSI (130) 5000 PSI (100)

HORSEPOWER LIMITER
ADJUSTER - FACTORY SET



REMOTE PORT RPI
#4 SAE STR. THD.
(PLUGGED)
(.438-20UNF-2B THD.)

PRESSURE SELECTOR SOLENOID
DIN 43650 ELECTRICAL CONN.

FOR BASIC PUMP DIMENSIONS
SEE PLANOGRAPHS:
DS-47942 DS-47943 DS-47944