

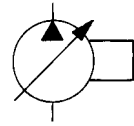


PUMP, VARIABLE DELIVERY PVG 100 & 130 (F1U)

ENGINEERING

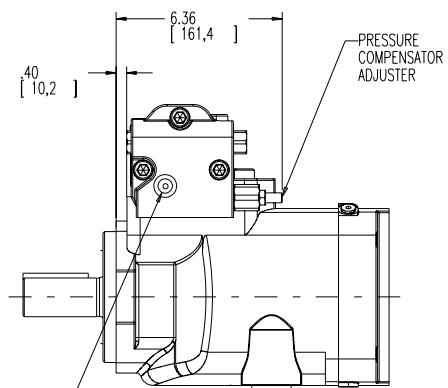
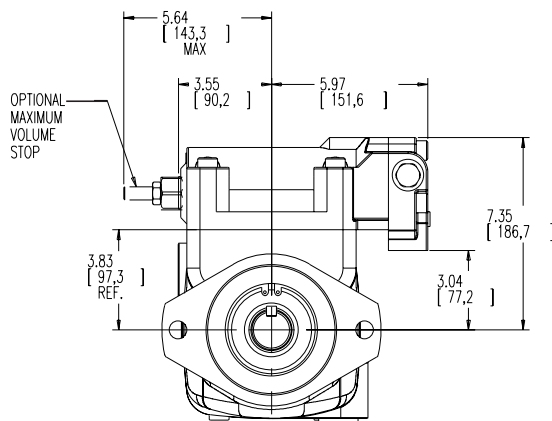
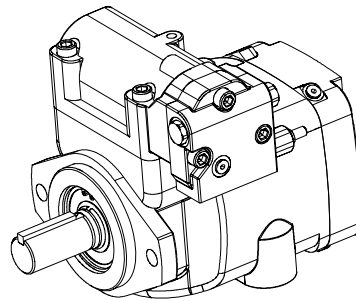
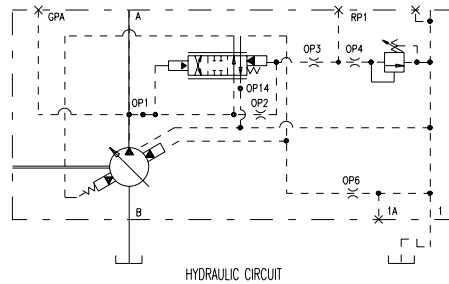
1

"P-1NN" CONTROL



Installation Drawing

Single Pressure Compensator Control



REMOTE PORT RPI
#4 SAE STR. THD.
(PLUGGED)
(.438-20UNF-2B THD.)

FOR BASIC PUMP DIMENSIONS
SEE PLANOGRAPHS:
DS-47942 DS-47943 DS-47944

516152-207

Telephone: (414) 327-1700
Fax: (414) 327-0532

OILGEAR
2300 So. 51st. Street
Milwaukee, WI USA 53219

Reissued: April, 2008
DS-47541-D