

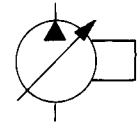


# PUMP, VARIABLE DELIVERY PVG 100 & 130 (F1U)

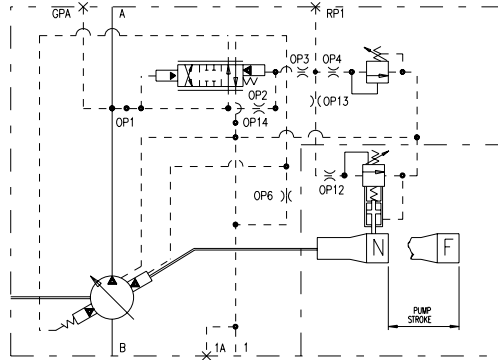
ENGINEERING

1

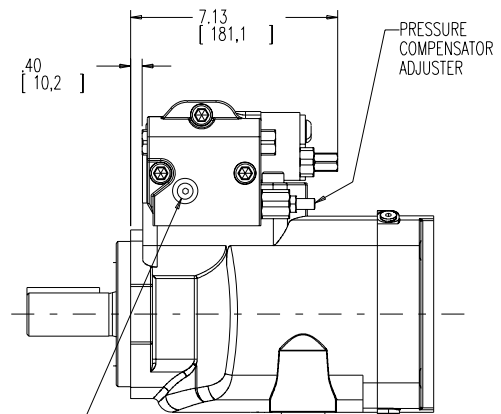
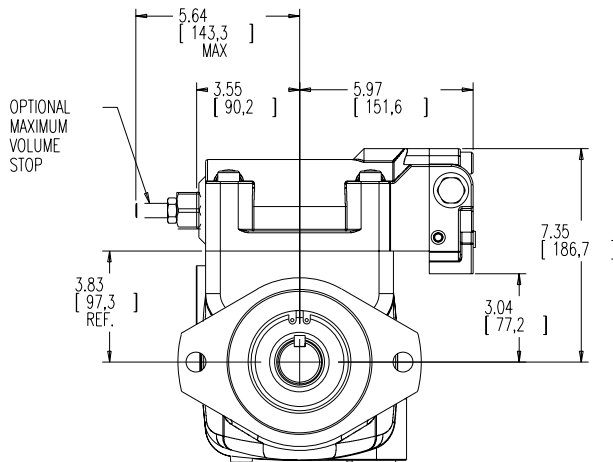
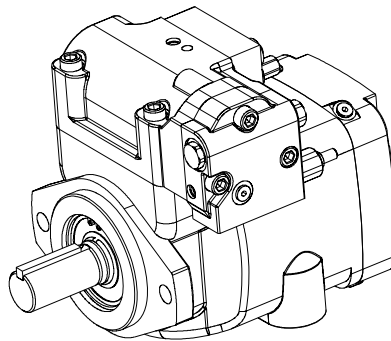
## "P-1NN/H" CONTROL



### Installation Drawing Single Pressure Compensator Control w/Horsepower Limiter



HYDRAULIC CIRCUIT



REMOTE PORT RPI  
#4 SAE STR. THD.  
(PLUGGED)  
(.438-20UNF-2B THD.)

For Basic Pump Dimensions  
See Data Sheet 47942, 47943 or 47944

516152-209

Telephone: (414) 327-1700  
Fax: (414) 327-0532

**OILGEAR**  
2300 So. 51st. Street  
Milwaukee, WI USA 53219

Reissued: April, 2008  
**DS-47543-D**