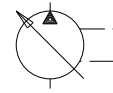
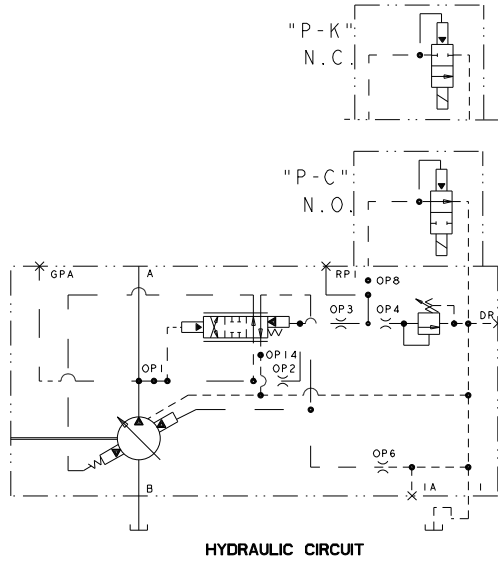


" F1 "

" P-C " "P-K" CONTROL



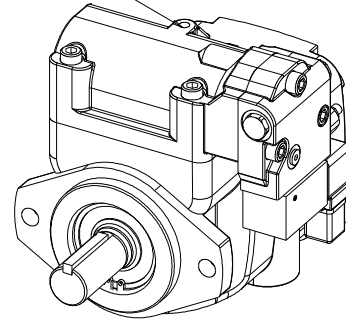
INSTALLATION DRAWING Soft Start w/ Single Pressure Compensator Control



NOTES:

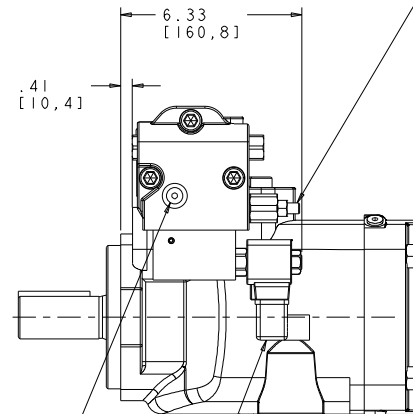
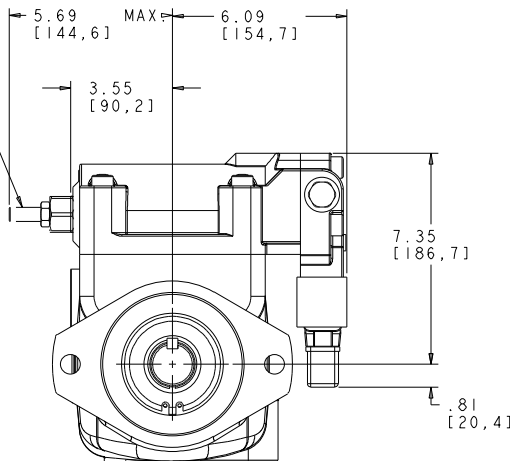
1. PUMPS DESIGNED FOR ONE-WAY SERVICE AND ARE DIMENSIONED AS SHOWN.
2. THESE UNITS ARE DESIGNED TO RUN CASE FULL OF FLUID AT ALL TIMES. FILL CASE BEFORE STARTING AND CONNECT DRAIN LINES ACCORDINGLY.
3. NUMERICAL DIMENSIONS GIVEN IN INCHES/[MM].
4. NET WEIGHT- 125 LBS [55 KG] FOR VERSION SHOWN
128 LBS [56 KG] FOR SIDE PORT VALVE PLATE
135 LBS [61 KG] FOR THRU SHAFT VERSION.

LIFTING HOLE
.375-16UNC-2B



OPTIONAL MAXIMUM VOLUME STOP
.250" [6.3 mm] INTERNAL HEX
1 TURN CW DECREASES DELIVERY 7%
RANGE: 100% TO 0%
FACTORY SET TO MAXIMUM VOLUME
UNLESS SPECIFIED OTHERWISE.

PRESSURE COMPENSATOR ADJUSTMENT
.188" [4.8 mm] INTERNAL HEX
1 TURN CW INCREASES PRESSURE SETTING 1000 PSI.
RANGE: 300 TO 3750 PSI (130) 5000 PSI (100)



REMOTE PORT RP1
#4 SAE STR. THD.
(PLUGGED)
(.438-20UNF-2B THD.)

SOFT START SOLENOID
DIN 43650 ELECTRICAL CONN

FOR BASIC PUMP DIMENSIONS
SEE PLANOGRAPHS:
DS-47942 DS-47943 DS-47944