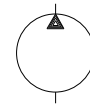
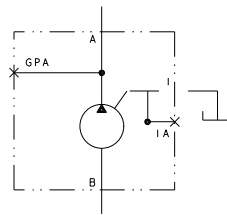


"F-XXX" CONTROL

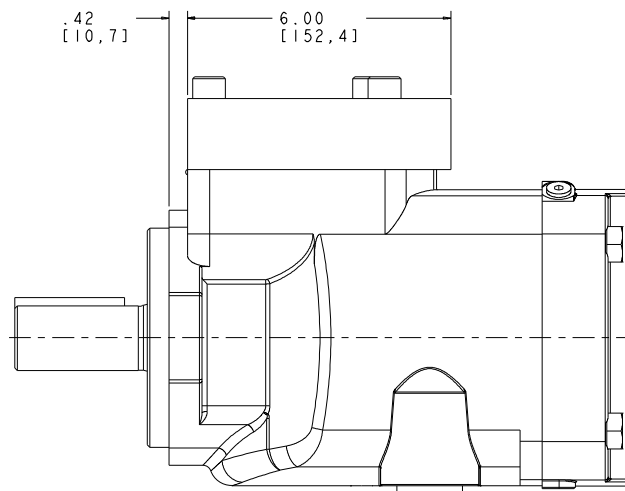
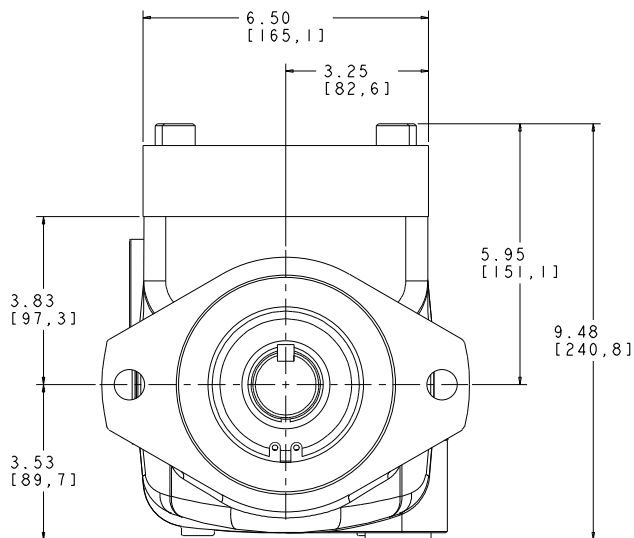
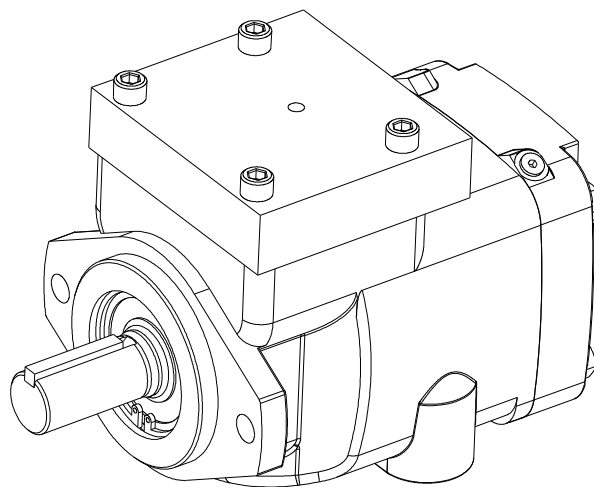


INSTALLATION DRAWING

Fixed Volume Control



HYDRAULIC CIRCUIT



FOR BASIC PUMP DIMENSIONS
SEE PLANOGRAPHS:
DS-47942 DS-47943 DS-47944

516152-218