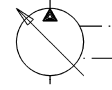


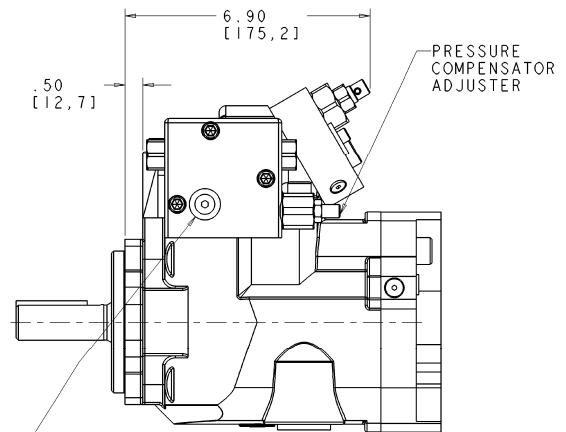
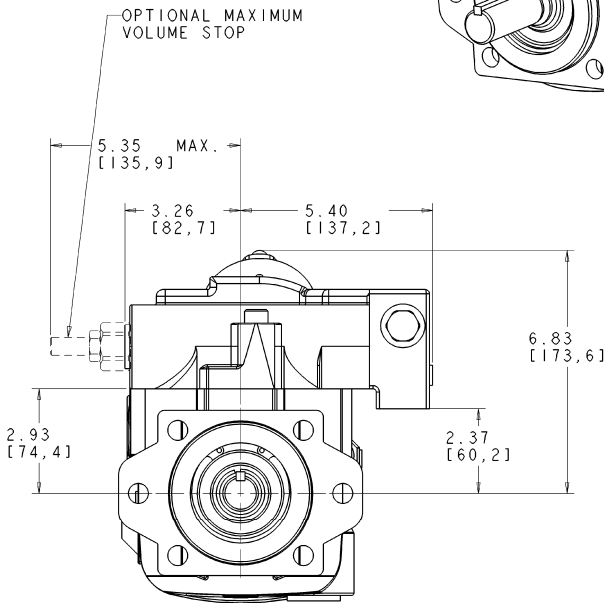
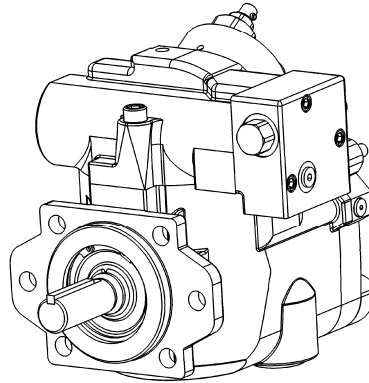
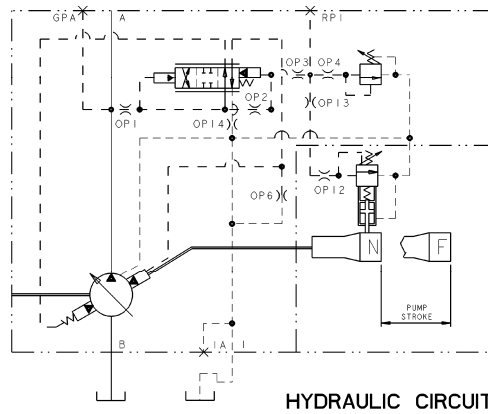
" F1 "

" P-1NN/H " CONTROL



INSTALLATION DRAWING

Single Pressure Compensator Control w/ Horsepower Limiter



REMOTE PORT RPI
#4 SAE STRAIGHT THD.
(PLUGGED)
(.438-20 UNF-2B TAP)

FOR BASIC PUMP DIMENSIONS
SEE PLANOGRAPHS:
DS-47952, DS-47953 & DS-47954

517118-206