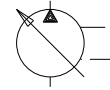


" F1 "

" P-2 " CONTROL

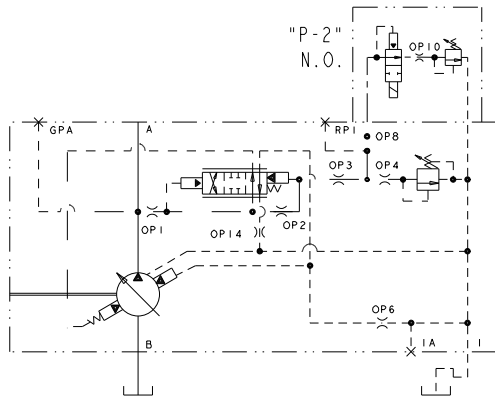


**INSTALLATION DRAWING**

**Dual Pressure Compensator Control**

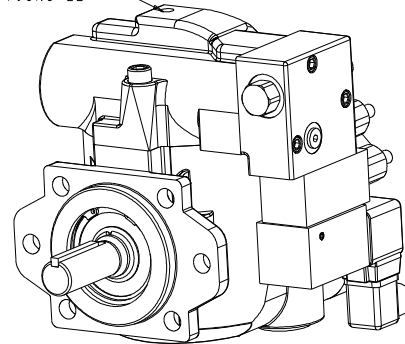
**NOTES:**

1. PUMPS DESIGNED FOR ONE-WAY SERVICE AND ARE DIMENSIONED AS SHOWN.
2. THESE UNITS ARE DESIGNED TO RUN CASE FULL OF FLUID AT ALL TIMES. FILL CASE BEFORE STARTING AND CONNECT DRAIN LINES ACCORDINGLY.
3. NUMERICAL DIMENSIONS GIVEN IN INCHES/[MM].
4. NET WEIGHT- 82 LBS [34 KG] FOR VERSION SHOWN  
86 LBS [36 KG] FOR SIDE PORT VALVE PLATE  
91 LBS [39 KG] FOR THRU SHAFT VERSION.

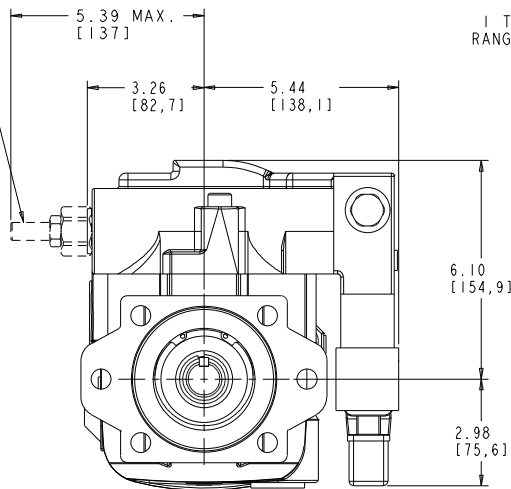


**HYDRAULIC CIRCUIT**

LIFTING HOLE  
.375-16UNC-2B

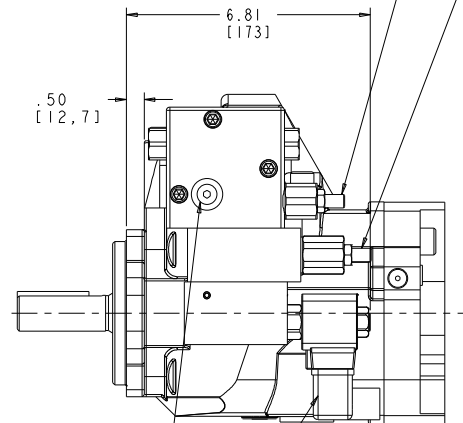


OPTIONAL MAXIMUM VOLUME STOP  
.250" [6.3 mm] INTERNAL HEX  
1 TURN CW DECREASES DELIVERY 8% (065/075) 11% (048)  
RANGE: 100% TO 0%  
FACTORY SET TO MAXIMUM VOLUME  
UNLESS SPECIFIED OTHERWISE.



LOW PRESSURE COMPENSATOR ADJUSTMENT  
.188" [4.8 mm] INTERNAL HEX  
1 TURN CW INCREASES PRESSURE SETTING 1000 PSI.  
RANGE: 300 TO 3750 PSI (075) 5000 PSI (048/065)

HIGH PRESSURE COMPENSATOR ADJUSTMENT  
.188" [4.8 mm] INTERNAL HEX  
1 TURN CW INCREASES PRESSURE SETTING 1000 PSI.  
RANGE: 300 TO 3750 PSI (075) 5000 PSI (048/065)



REMOTE PORT RP1  
#4 SAE STRAIGHT THD.  
(PLUGGED)  
(.438-20 UNF-2B TAP)

PRESSURE SELECTOR SOLENOID  
DIN 43650 ELECTRICAL CONN.

FOR BASIC PUMP DIMENSIONS  
SEE PLANOGRAPHS:  
DS-47952, DS-47953 & DS-47954