

OILGEAR

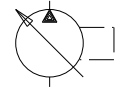
BEST UNDER PRESSURE

PUMP, VARIABLE DELIVERY PVG 048, 065, 075

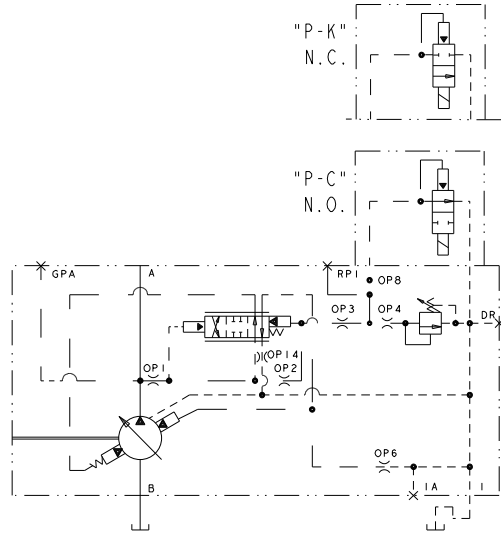
" F1 "

" P-C " P-K" CONTROL

ENGINEERING 1



INSTALLATION DRAWING Soft Start w/ Single Pressure Compensator Control

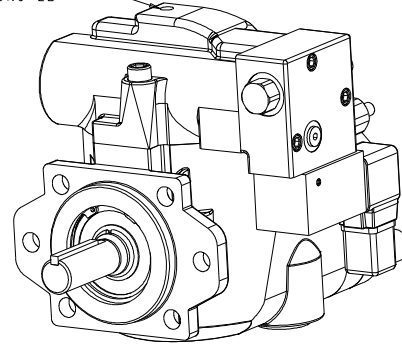


HYDRAULIC CIRCUIT

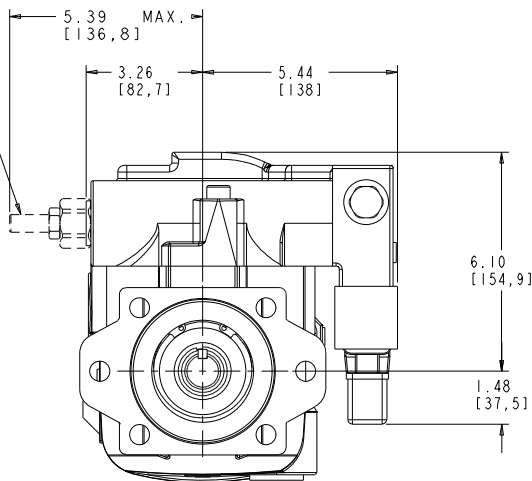
NOTES:

1. PUMPS DESIGNED FOR ONE-WAY SERVICE AND ARE DIMENSIONED AS SHOWN.
2. THESE UNITS ARE DESIGNED TO RUN CASE FULL OF FLUID AT ALL TIMES. FILL CASE BEFORE STARTING AND CONNECT DRAIN LINES ACCORDINGLY.
3. NUMERICAL DIMENSIONS GIVEN IN INCHES/[MM].
4. NET WEIGHT- 80 LBS [33 KG] FOR VERSION SHOWN
84 LBS [35 KG] FOR SIDE PORT VALVE PLATE
89 LBS [38 KG] FOR THRU SHAFT VERSION.

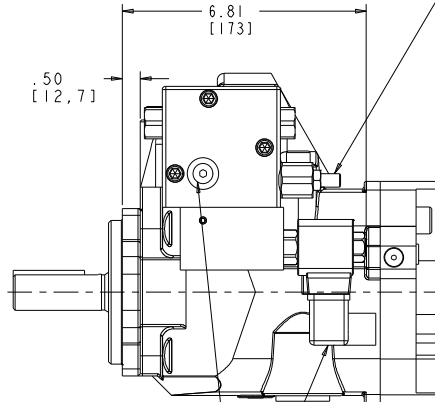
LIFTING HOLE
.375-16UNC-2B



OPTIONAL MAXIMUM VOLUME STOP
.250" [6.3 mm] INTERNAL HEX
1 TURN CW DECREASES DELIVERY 8% (065/075) 11% (048)
RANGE: 100% TO 0%
FACTORY SET TO MAXIMUM VOLUME
UNLESS SPECIFIED OTHERWISE.



PRESSURE COMPENSATOR ADJUSTMENT
.188" [4.8 mm] INTERNAL HEX
1 TURN CW INCREASES PRESSURE SETTING 1000 PSI.
RANGE: 300 TO 3750 PSI (075) 5000 PSI (048/065)



REMOTE PORT RP1
#4 SAE STRAIGHT THD.
(PLUGGED)
(.438-20 UNF-2B TAP)

SOFT START SOLENOID
DIN 43650 ELECTRICAL CONN.

FOR BASIC PUMP DIMENSIONS
SEE PLANOGRAPHS:
DS-47952, DS-47953 & DS-47954

517118-310

Issued: August, 2018

Telephone: (414) 327-1700
Website: www.oilgear.com

OILGEAR
905 South Downing Street
Fremont, NE USA 68025

DS-47557B