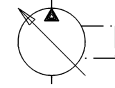


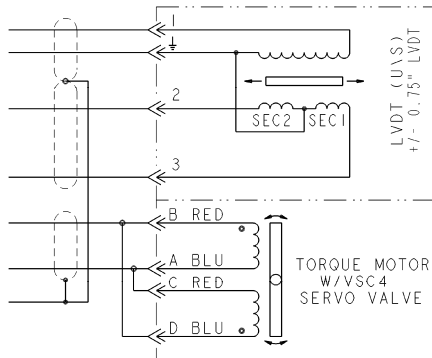
" F1 "

" V-S " CONTROL

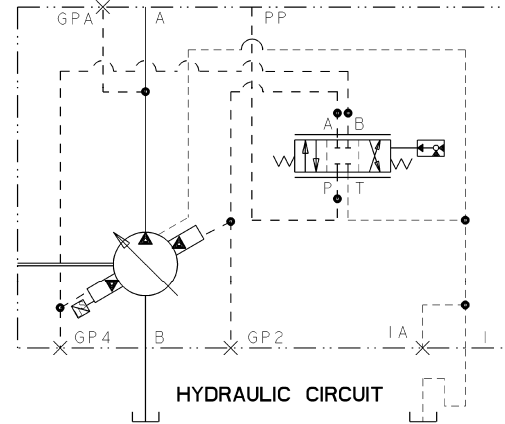


INSTALLATION DRAWING

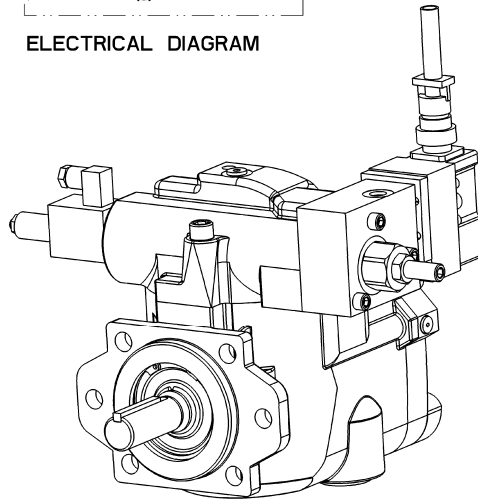
Servo Valve Control



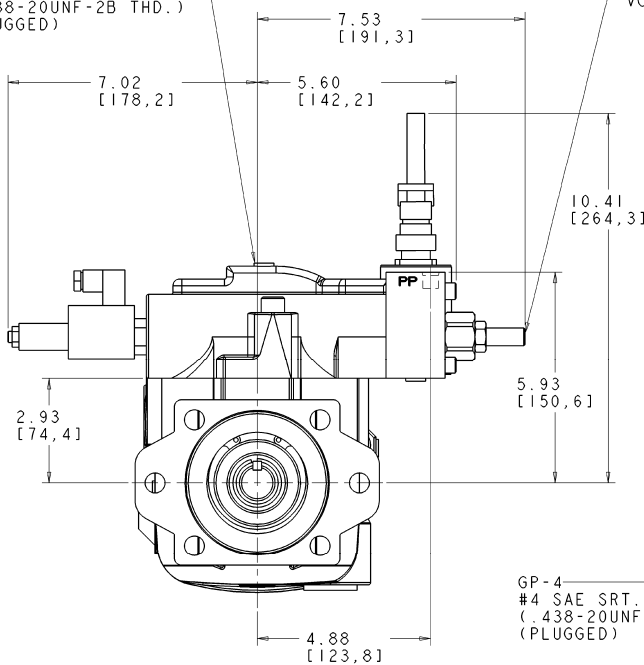
ELECTRICAL DIAGRAM



HYDRAULIC CIRCUIT



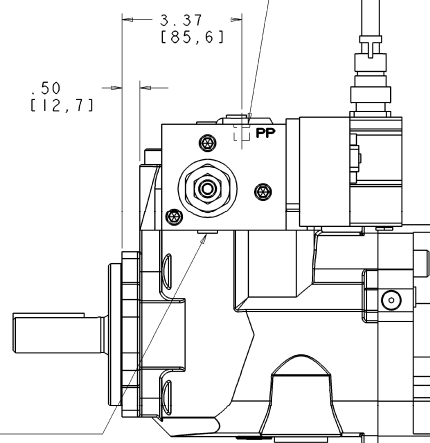
GP-2
#4 SAE SRT. THD.
(.438-20UNF-2B THD.)
(PLUGGED)



MINIMUM
VOLUME STOP

PILOT PRESSURE INLET
#4 SAE STR. THD.
(.438-20UNF-2B THD.)
(3-MICRON FILTERED OIL
REQUIRED 580 PSI)

SERVO VALVE
ELECTRICAL CONNECTION
MS-3106A-14S-2S



GP-4
#4 SAE SRT. THD.
(.438-20UNF-2B THD.)
(PLUGGED)

FOR BASIC PUMP DIMENSIONS
SEE PLANOGRAPHS:
DS-47952, DS-47953 & DS47954

517118-213