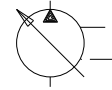


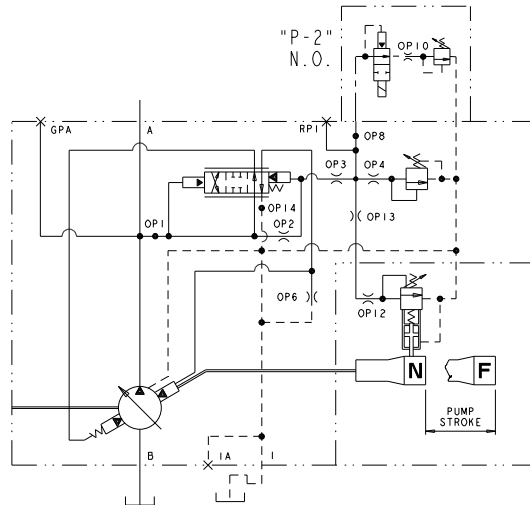
" F1 "

" P-2**/H " CONTROL



INSTALLATION DRAWING

Dual Pressure Compensator Control & Horsepower Limiter

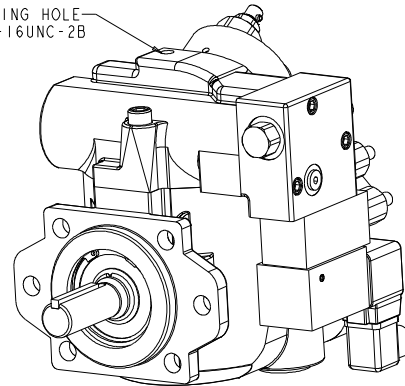


HYDRAULIC CIRCUIT

NOTES:

1. PUMPS DESIGNED FOR ONE-WAY SERVICE AND ARE DIMENSIONED AS SHOWN.
2. THESE UNITS ARE DESIGNED TO RUN CASE FULL OF FLUID AT ALL TIMES. FILL CASE BEFORE STARTING AND CONNECT DRAIN LINES ACCORDINGLY.
3. NUMERICAL DIMENSIONS GIVEN IN INCHES/[MM].
4. NET WEIGHT- 84 LBS [34 KG] FOR VERSION SHOWN
88 LBS [36 KG] FOR SIDE PORT VALVE PLATE
93 LBS [39 KG] FOR THRU SHAFT VERSION.

LIFTING HOLE
.375-16UNC-2B

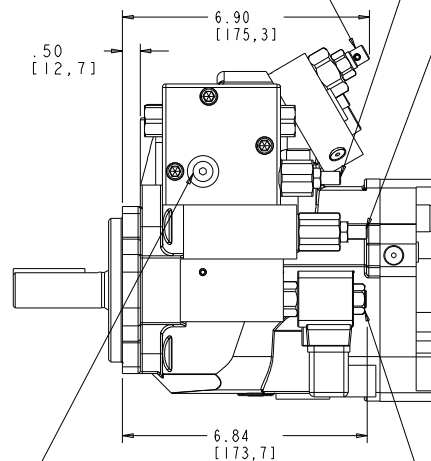
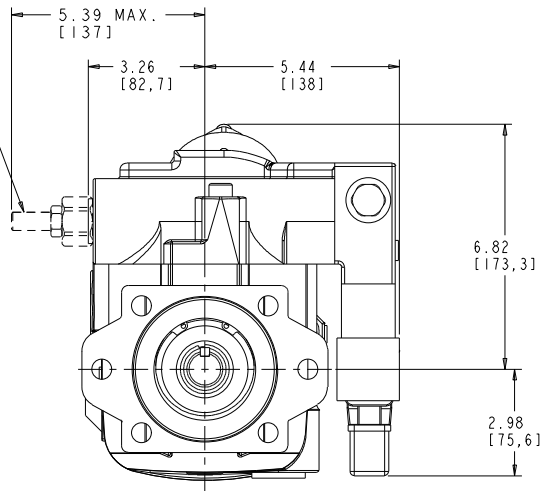


LOW PRESSURE COMPENSATOR ADJUSTMENT
.188" [4.8 mm] INTERNAL HEX
1 TURN CW INCREASES PRESSURE SETTING 1000 PSI.
RANGE: 300 TO 3750 PSI (075) 5000 PSI (048/065)

HIGH PRESSURE COMPENSATOR ADJUSTMENT
.188" [4.8 mm] INTERNAL HEX
1 TURN CW INCREASES PRESSURE SETTING 1000 PSI.
RANGE: 300 TO 3750 PSI (075) 5000 PSI (048/065)

HORSEPOWER LIMITER-
ADJUSTER - FACTORY SET

OPTIONAL MAXIMUM VOLUME STOP
.250" [6.3 mm] INTERNAL HEX
1 TURN CW DECREASES DELIVERY 8% (065/075) 11% (048)
RANGE: 100% TO 0%
FACTORY SET TO MAXIMUM VOLUME
UNLESS SPECIFIED OTHERWISE.



REMOTE PORT RPT
#4 SAE STRAIGHT THD.
(PLUGGED)
(.438-20 UNF-2B TAP)

PRESSURE SELECTOR SOLENOID
DIN 43650 ELECTRICAL CONN.

FOR BASIC PUMP DIMENSIONS
SEE PLANOGRAPHS:
DS-47952, DS-47953 & DS-47954