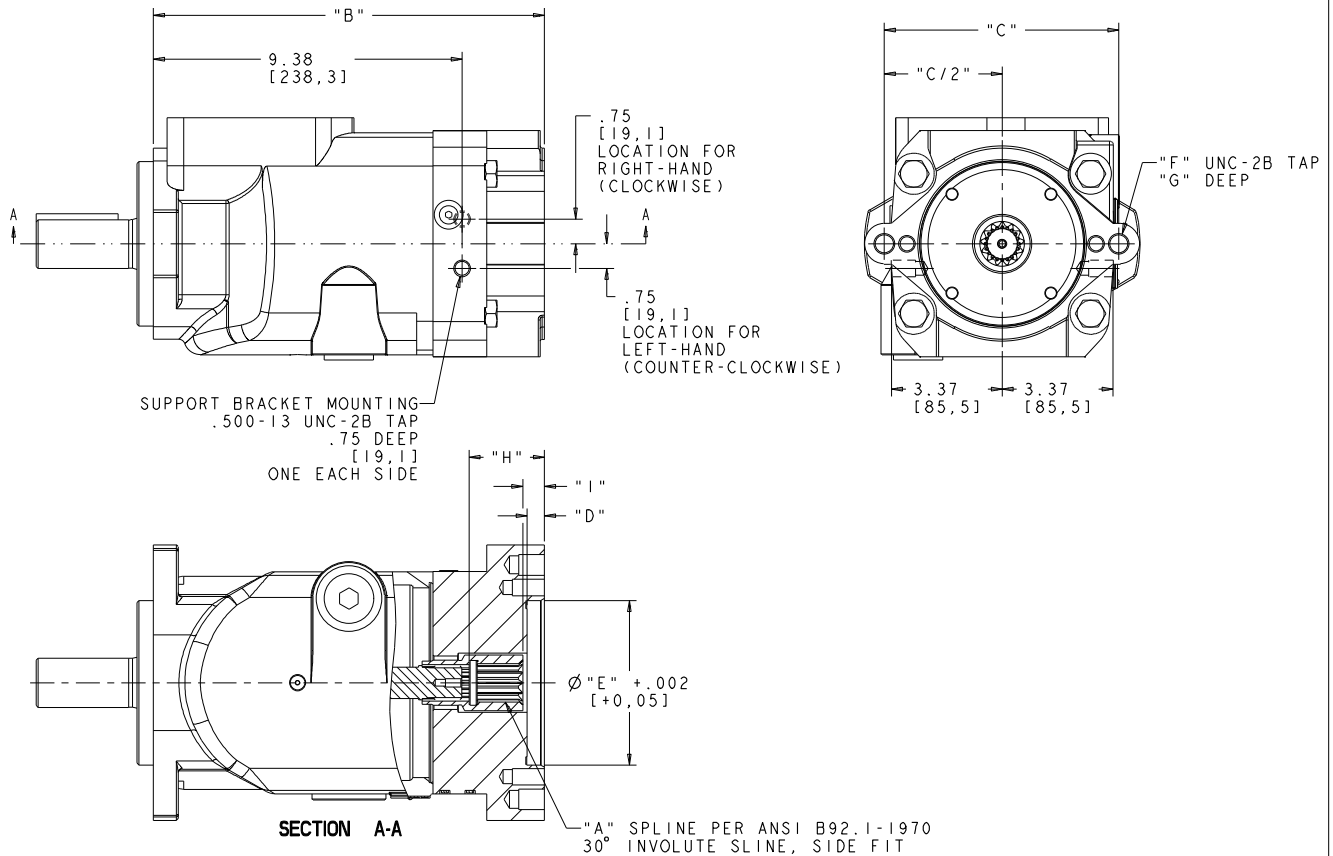
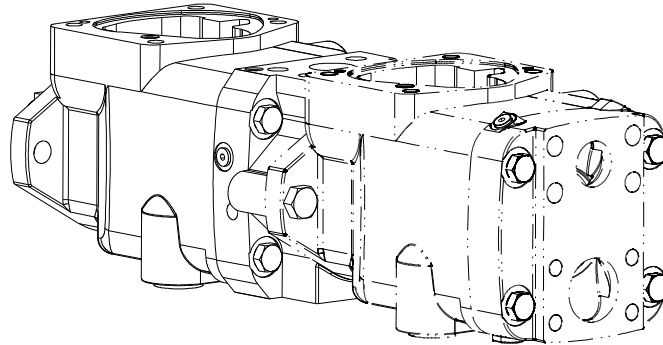


INSTALLATION DRAWING

Dual Pump Adapter



DIMENSIONS INCHES
[MM]

PVG 100/130 DUAL PUMP									
REAR PUMP MOUNTING	"A"	"B" DIM	"C" DIM	"D" DIM	"E" DIM	"F"	"G" DIM	"H" DIM	"I" DIM
SAE A-A (50-13-4)	9T 20/40 DP	11.91 [302,5]	3.250 [82,6]	.54 [13,7]	2.001 [50,8]	.375-16 UNC	.54 [13,7]	1.17 [29,7]	.68 [17,3]
SAE A (82-16-4)	9T 16/32 DP	11.91 [302,5]	4.188 [106,4]	.54 [13,7]	3.251 [82,6]	.375-16 UNC	.54 [13,7]	1.36 [34,5]	.68 [17,3]
SAE (82-19-4)	11T 16/32 DP	11.91 [302,5]	4.188 [106,4]	.54 [13,7]	3.251 [82,6]	.375-16 UNC	.54 [13,7]	1.61 [40,9]	.68 [17,3]
SAE B (101-22-4)	13T 16/32 DP	11.91 [302,5]	5.750 [146,1]	.54 [13,7]	4.001 [101,6]	.500-13 UNC	.98 [24,9]	1.74 [44,2]	.68 [17,3]
SAE B-B (101-25-4)	15T 16/32 DP	11.91 [302,5]	5.750 [146,1]	.54 [13,7]	4.001 [101,6]	.500-13 UNC	.98 [24,9]	1.92 [48,8]	.68 [17,3]
SAE C (127-32-4)	14T 12/24 DP	11.90 [302,3]	7.125 [181,0]	.53 [13,5]	5.001 [127,0]	.625-11 UNC	.78 [19,9]	2.31 [58,7]	.68 [17,3]

516152-014