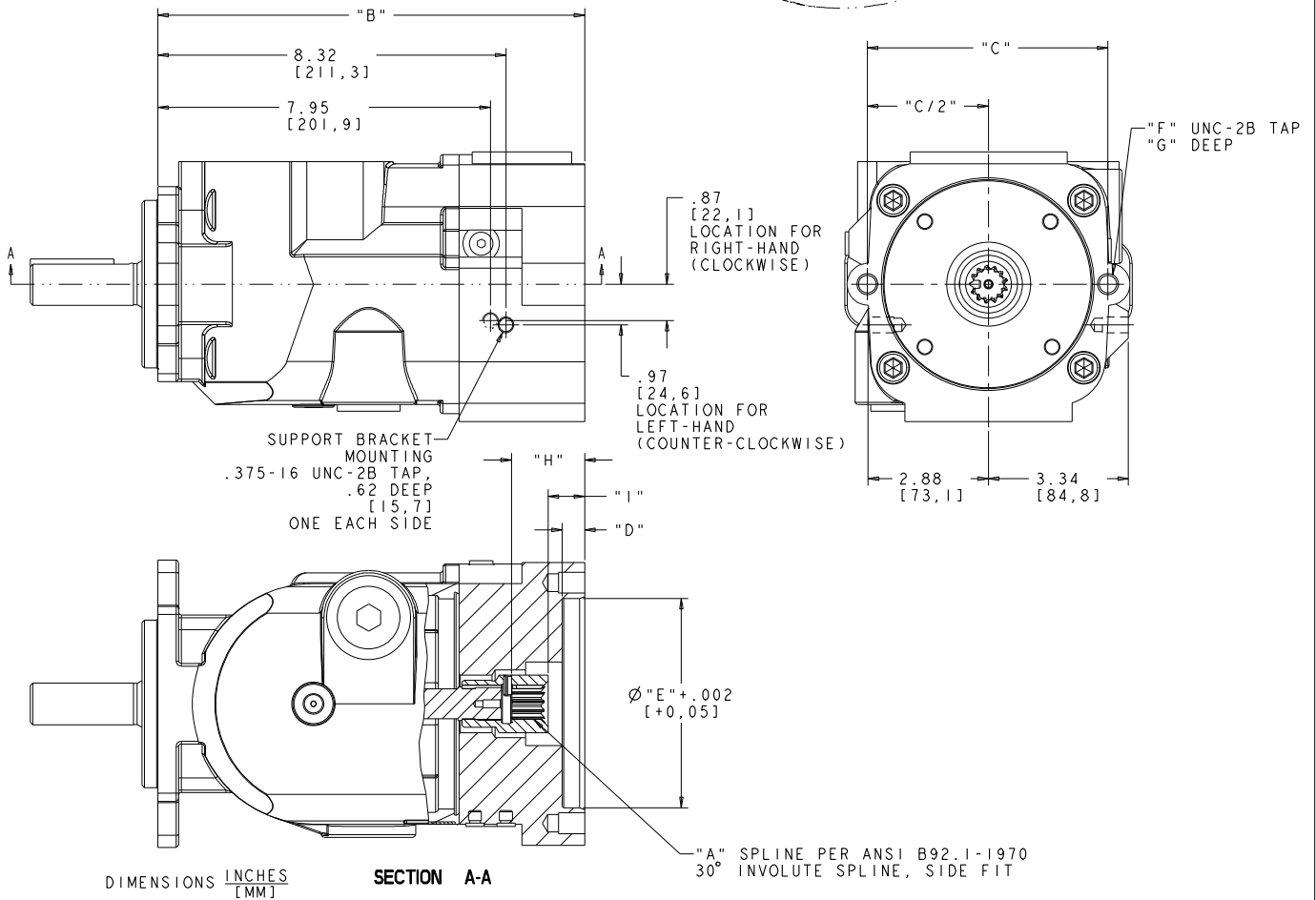
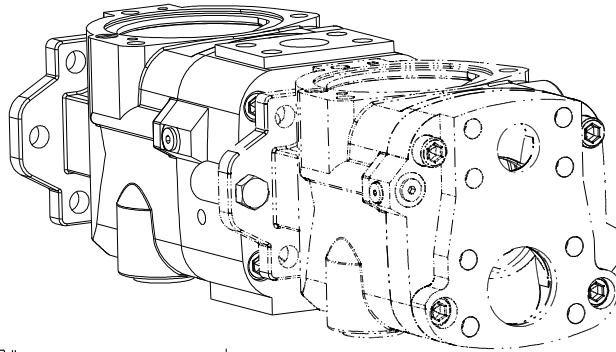


INSTALLATION DRAWING

Dual Pump Adapter



PVG 048/065/075 DUAL PUMP									
REAR PUMP MOUNTING	"A"	"B" DIM	"C" DIM	"D" DIM	"E" DIM	"F"	"G" DIM	"H" DIM	"I" DIM
SAE A-A (50-13-4)	9T 20/40 DP	10.20 [259,1]	3.250 [82,6]	.53 [13,5]	2.001 [50,8]	.375-16 UNC	.54 [13,7]	1.19 [30,2]	.50 [12,7]
SAE A (82-16-4)	9T 16/32 DP	10.20 [259,1]	4.188 [106,4]	.53 [13,5]	3.251 [82,6]	.375-16 UNC	.54 [13,7]	1.38 [35,0]	.69 [17,6]
SAE A (82-19-4)	11T 16/32 DP	10.20 [259,1]	4.188 [106,4]	.53 [13,5]	3.251 [82,6]	.375-16 UNC	.54 [13,7]	1.63 [41,3]	.94 [23,9]
SAE B (101-22-4)	13T 16/32 DP	10.20 [259,1]	5.750 [146,1]	.53 [13,5]	4.001 [101,6]	.500-13 UNC	.62 [15,7]	1.76 [44,6]	.88 [22,4]
SAE B-B (101-25-4)	15T 16/32 DP	10.20 [259,1]	5.750 [146,1]	.53 [13,5]	4.001 [101,6]	.500-13 UNC	.62 [15,7]	1.76 [44,7]	.88 [22,4]

51718-214