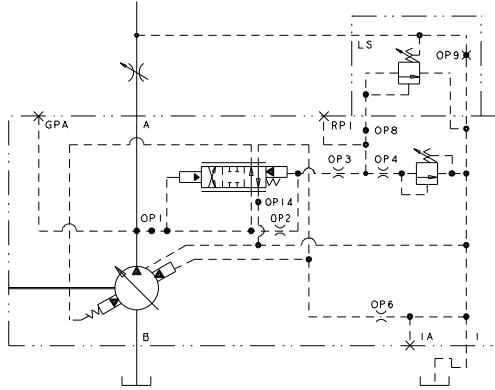


### INSTALLATION DRAWING

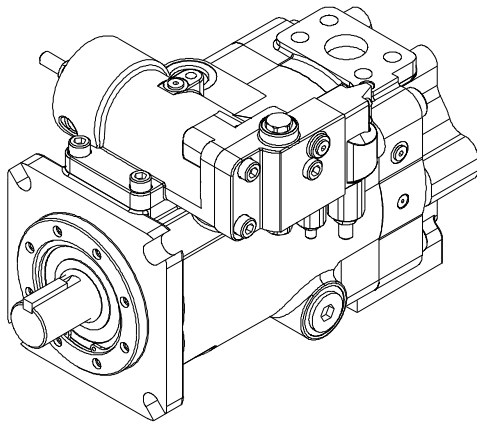
### Single Pressure Compensator Control w/Load Sense



HYDRAULIC CIRCUIT

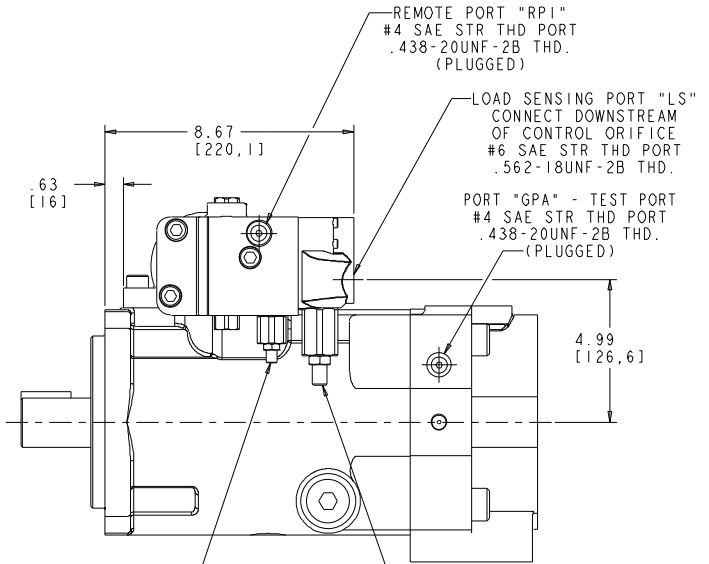
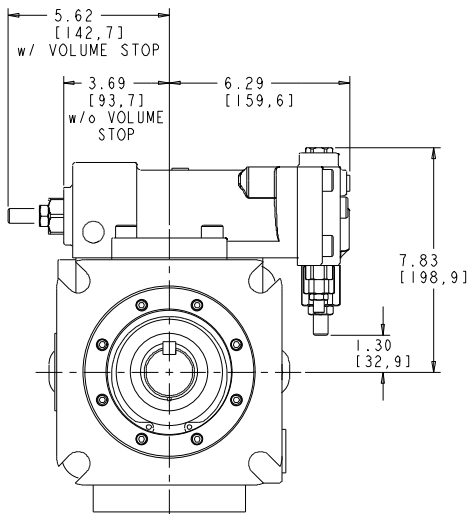
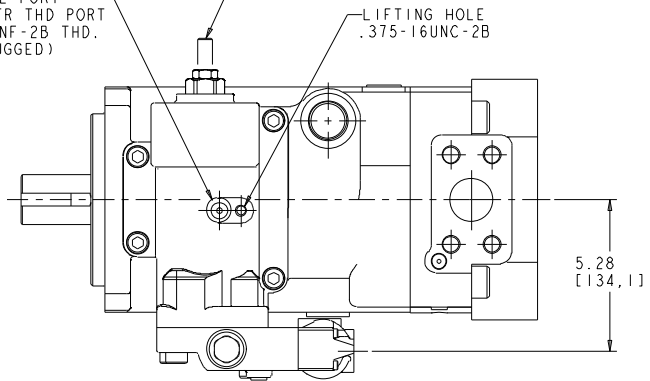
NOTES:

1. PUMPS DESIGNED FOR ONE-WAY SERVICE AND ARE DIMENSIONED AS SHOWN.
2. THESE UNITS ARE DESIGNED TO RUN CASE FULL OF FLUID AT ALL TIMES. FILL CASE BEFORE STARTING AND CONNECT DRAIN LINES ACCORDINGLY.
3. NUMERICAL DIMENSIONS GIVEN IN INCHES/[MM].
4. NET WEIGHT- 200 LBS [91 KG] FOR THRU SHAFT VERSION.



PURGE PORT  
#4 SAE STR THD PORT  
.438-20UNF-2B THD.  
(PLUGGED)

OPTIONAL MAXIMUM VOLUME STOP  
.250" [6.3 mm] INTERNAL HEX  
1 TURN CW DECREASES DELIVERY 7%  
RANGE: 100% TO 0%  
FACTORY SET TO MAXIMUM VOLUME  
UNLESS OTHERWISE SPECIFIED.



PRESSURE COMPENSATOR ADJUSTMENT  
.188" [4.8 mm] INTERNAL HEX  
1 TURN CW INCREASES PRESSURE SETTING 1000 PSI.  
RANGE: 300 TO 5000 PSI  
FACTORY SET AT MINIMUM  
UNLESS OTHERWISE SPECIFIED.

LOAD SENSE ADJUSTMENT  
.188" [4.8 mm] INTERNAL HEX  
1 TURN CW INCREASES PRESSURE  
DIFFERENTIAL 40 PSI  
RANGE: 235 TO 750 PSI  
FACTORY SET AT 250 ± 25 PSI  
UNLESS OTHERWISE SPECIFIED.