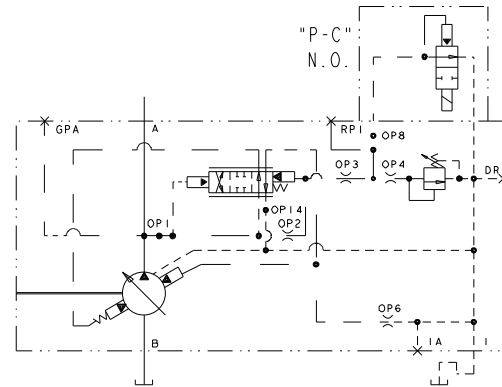


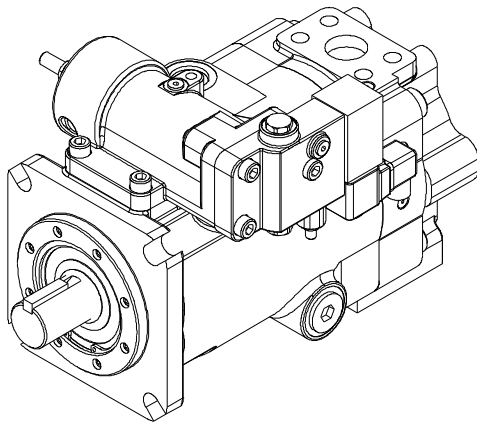
INSTALLATION DRAWING Soft Start w/Single Pressure Compensator Control

NOTES:

1. PUMPS DESIGNED FOR ONE-WAY SERVICE AND ARE DIMENSIONED AS SHOWN.
2. THESE UNITS ARE DESIGNED TO RUN CASE FULL OF FLUID AT ALL TIMES. FILL CASE BEFORE STARTING AND CONNECT DRAIN LINES ACCORDINGLY.
3. NUMERICAL DIMENSIONS GIVEN IN INCHES/[MM].
4. NET WEIGHT- 200 LBS [91 KG] FOR THRU SHAFT VERSION.

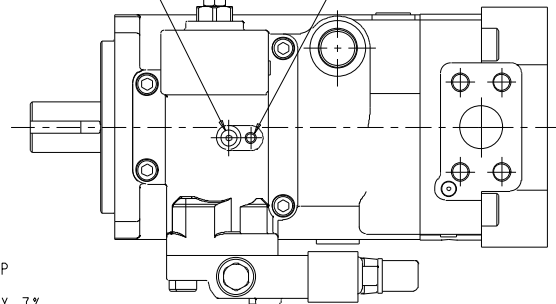


HYDRAULIC CIRCUIT

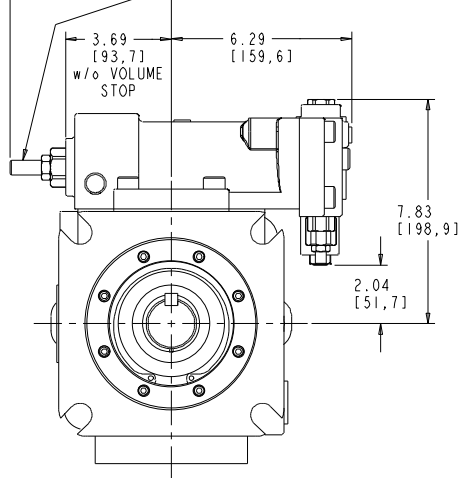


PURGE PORT
#4 SAE STR THD PORT
.438-20UNF-2B THD.
(PLUGGED)

LIFTING HOLE
.375-16UNC-2B

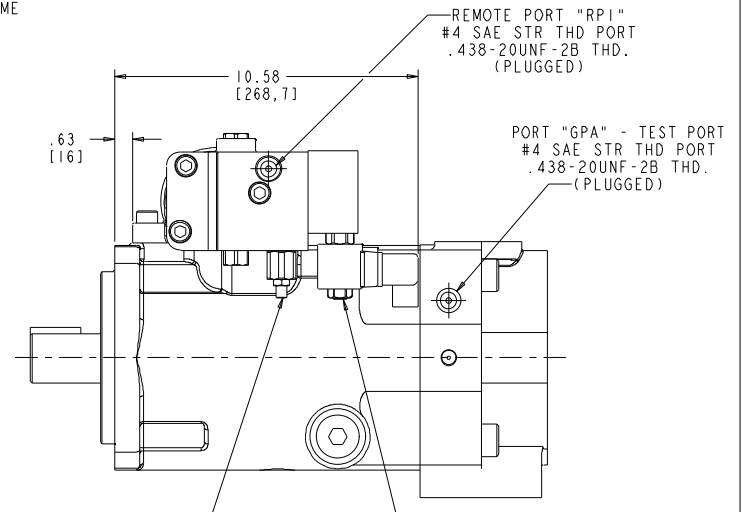


OPTIONAL MAXIMUM VOLUME STOP
.250" [6.3 mm] INTERNAL HEX
1 TURN CW DECREASES DELIVERY 7%
RANGE: 100% TO 0%
FACTORY SET TO MAXIMUM VOLUME
UNLESS OTHERWISE SPECIFIED.



REMOTE PORT "RP1"
#4 SAE STR THD PORT
.438-20UNF-2B THD.
(PLUGGED)

PORT "GPA" - TEST PORT
#4 SAE STR THD PORT
.438-20UNF-2B THD.
(PLUGGED)



PRESSURE COMPENSATOR ADJUSTMENT
.188" [4.8 mm] INTERNAL HEX
1 TURN CW INCREASES PRESSURE SETTING 1000 PSI.
RANGE: 300 TO 5000 PSI

SOFT START SOLENOID
DIN 43650 ELECTRICAL CONN.