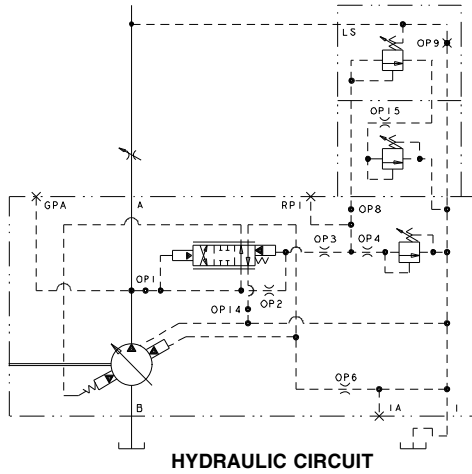


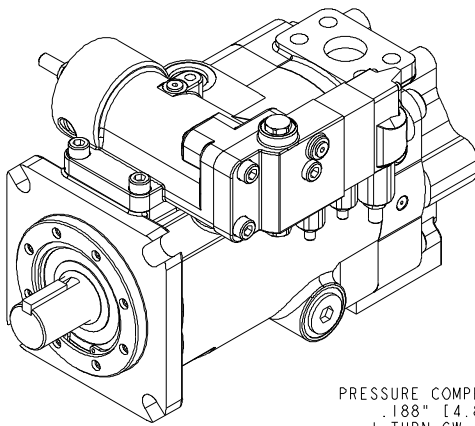
INSTALLATION DRAWING

Single Pressure Compensator Control w/Load Sense & Minimum Standby



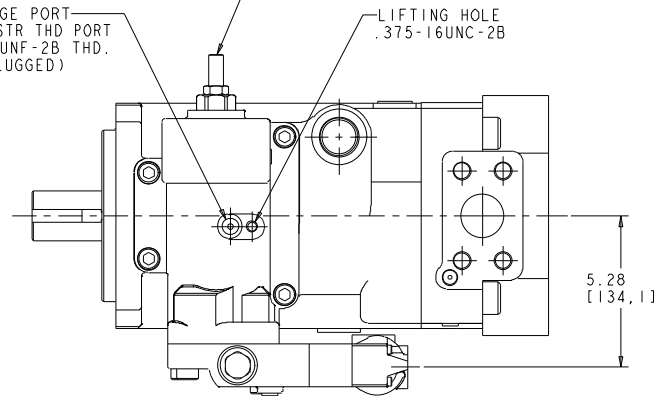
NOTES:

1. PUMPS DESIGNED FOR ONE-WAY SERVICE AND ARE DIMENSIONED AS SHOWN.
2. THESE UNITS ARE DESIGNED TO RUN CASE FULL OF FLUID AT ALL TIMES. FILL CASE BEFORE STARTING AND CONNECT DRAIN LINES ACCORDINGLY.
3. NUMERICAL DIMENSIONS GIVEN IN INCHES/[MM].
4. NET WEIGHT- 200 LBS [91 KG] FOR THRU SHAFT VERSION.

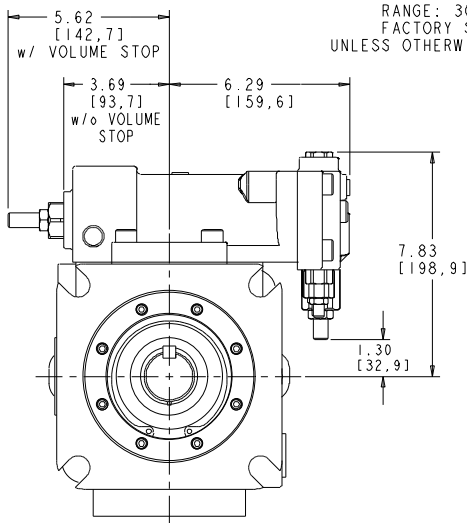


PURGE PORT
#4 SAE STR THD PORT
.438-20UNF-2B THD.
(PLUGGED)

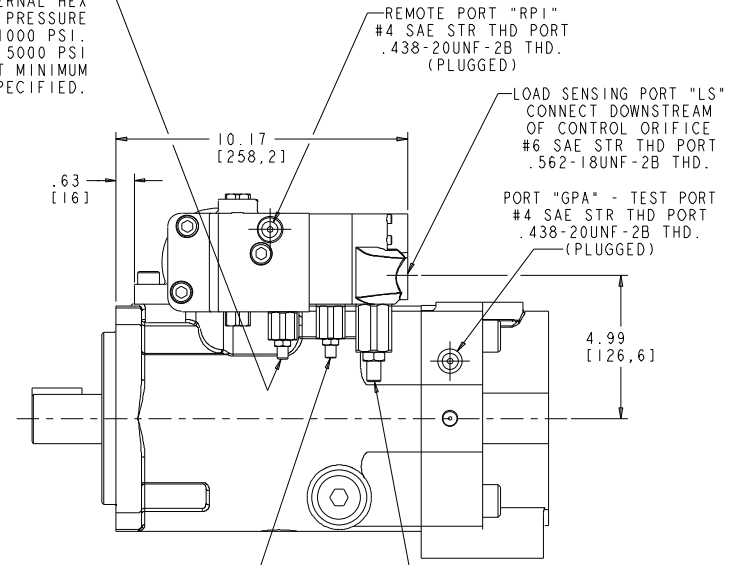
OPTIONAL MAXIMUM VOLUME STOP
.250" [6.3 mm] INTERNAL HEX
1 TURN CW DECREASES DELIVERY 7%
RANGE: 100% TO 0%
FACTORY SET TO MAXIMUM VOLUME
UNLESS OTHERWISE SPECIFIED.



PRESSURE COMPENSATOR ADJUSTMENT
.188" [4.8 mm] INTERNAL HEX
1 TURN CW INCREASES PRESSURE
SETTING 1000 PSI.
RANGE: 300 TO 5000 PSI
FACTORY SET AT MINIMUM
UNLESS OTHERWISE SPECIFIED.



REMOTE PORT "RP1"
#4 SAE STR THD PORT
.438-20UNF-2B THD.
(PLUGGED)



MINIMUM STANDBY ADJUSTMENT
.188" [4.8 mm] INTERNAL HEX
1 TURN CW INCREASES PRESSURE
SETTING 130 PSI.
RANGE: 250 TO 900 PSI

LOAD SENSE ADJUSTMENT
.188" [4.8 mm] INTERNAL HEX
1 TURN CW INCREASES PRESSURE
DIFFERENTIAL 40 PSI.
RANGE: 235 TO 600 PSI
FACTORY SET AT 250 ± 25 PSI
UNLESS SPECIFIED OTHERWISE.