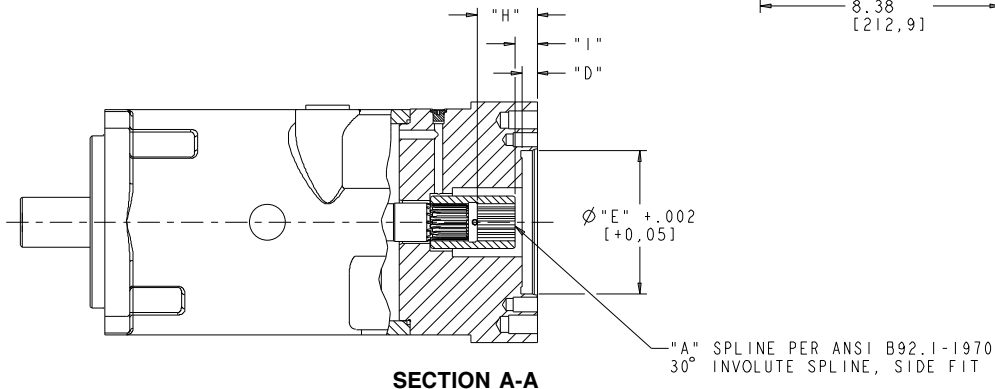
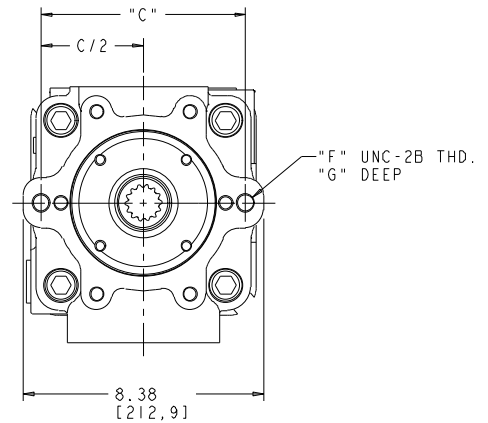
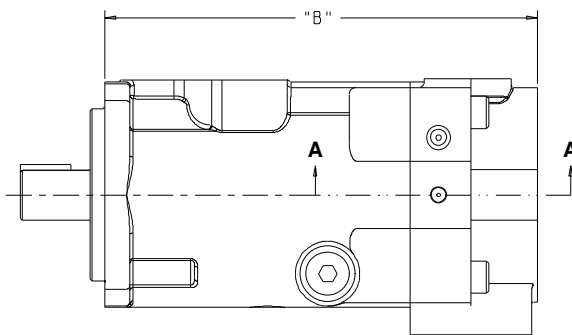
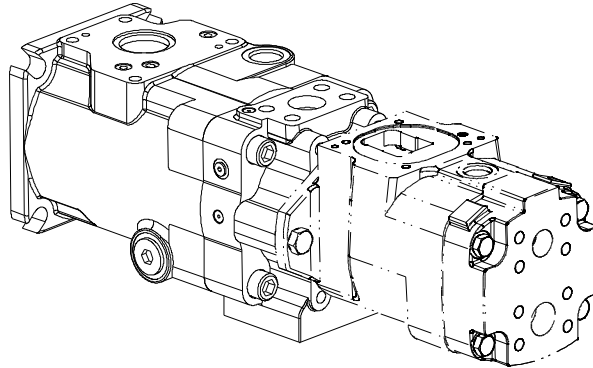


INSTALLATION DRAWING

Two Bolt Mounting - SAE J744



DIMENSIONS INCHES
[MM]

PVG-180 DUAL PUMP									
REAR PUMP MOUNTING (FLANGE/SHAFT)	"A"	"B" DIM	"C" DIM	"D" DIM	"E" DIA	"F"	"G"	"H" DIM	"I" DIM
SAE A (82-2/16-4)	9T 16/32 DP	15.10 [383,5]	4.188 [106,4]	.54 [13,7]	3.251 [82,6]	.375-16UNC	.54 [13,7]	1.36 [34,5]	.52 [13,2]
SAE B (101-2/22-4)	13T 16/32 DP	15.10 [383,5]	5.750 [146,1]	.54 [13,7]	4.001 [101,6]	500-13UNC	.84 [21,3]	1.76 [44,7]	.52 [13,2]
SAE C (127-2/32-4)	14T 12/24 DP	15.09 [383,3]	7.125 [181,0]	.53 [13,5]	5.001 [127,0]	.625-11UNC	1.00 [25,4]	2.28 [57,9]	1.00 [25,4]