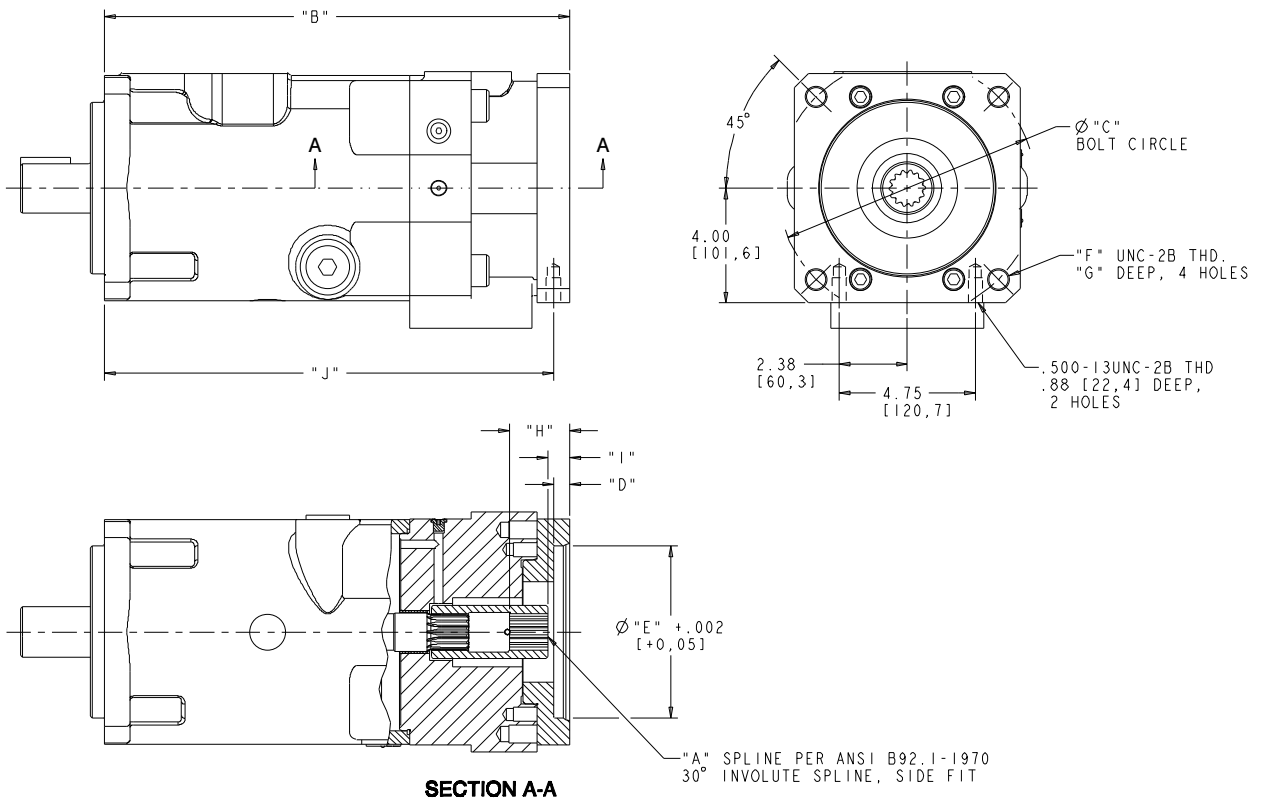
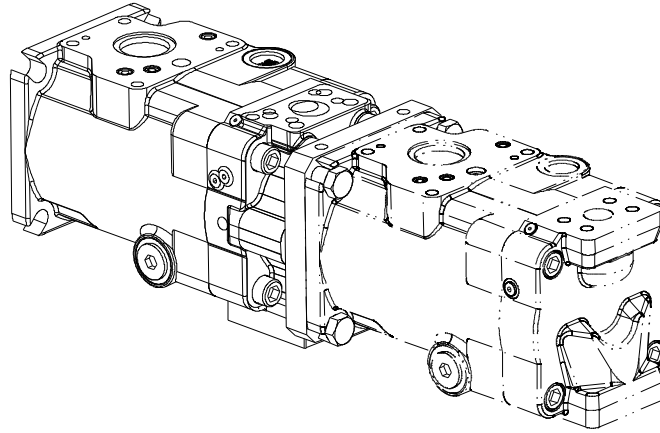


INSTALLATION DRAWING

Four Bolt Mounting - SAE J744



DIMENSIONS $\frac{\text{INCHES}}{\text{[MM]}}$

PVG-180 DUAL PUMP										
REAR PUMP MOUNTING (FLANGE/SHAFT)	"A"	"B" DIM	"C" DIA	"D" DIM	"E" DIA	"F"	"G"	"H" DIM	"I" DIM	"J" DIM
SAE C (127-4/32-4)	14T 1/24 DP	16.09 [408,7]	6.375 [161,9]	.56 [14,2]	5.001 [127,02]	.500-13UNC	1.00 [25,4]	2.28 [57,9]	1.00 [25,4]	15.59 [396]
SAE D (152-4/44-4)	13T 8/16 DP	16.21 [411,7]	9.000 [228,6]	.56 [14,2]	6.002 [152,45]	.750-16UNC	1.12 [28,4]	3.06 [77,7]	1.00 [25,4]	15.65 [397,5]