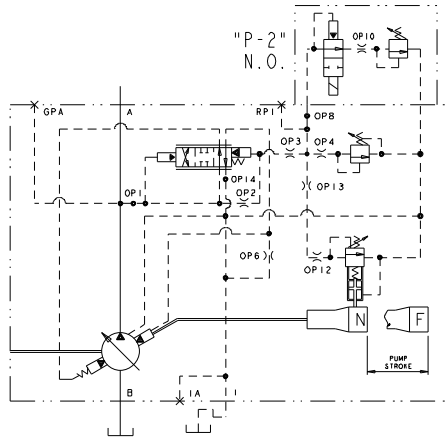


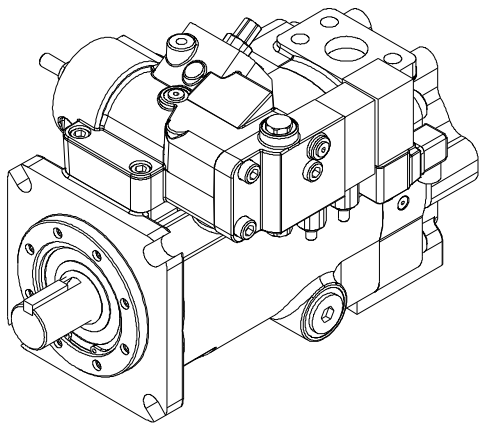
INSTALLATION DRAWING Dual Pressure Compensator Control & Horsepower Limiter



HYDRAULIC CIRCUIT

NOTES:

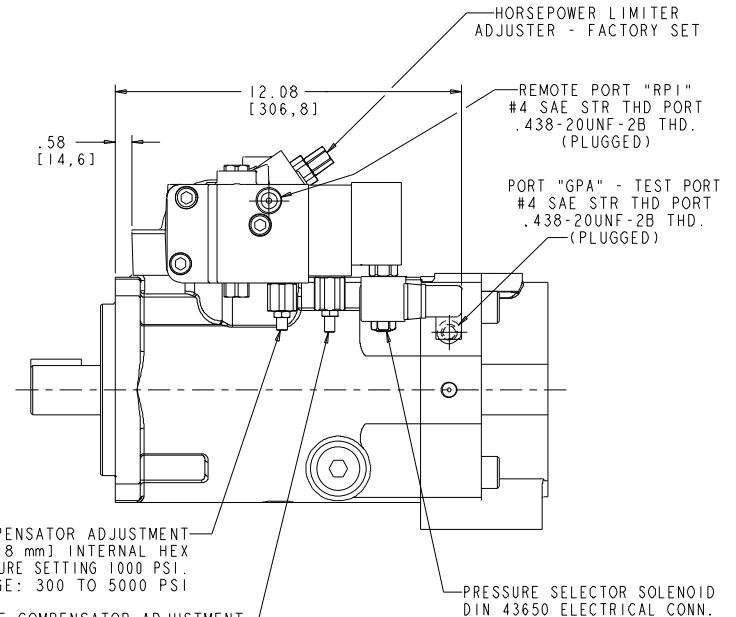
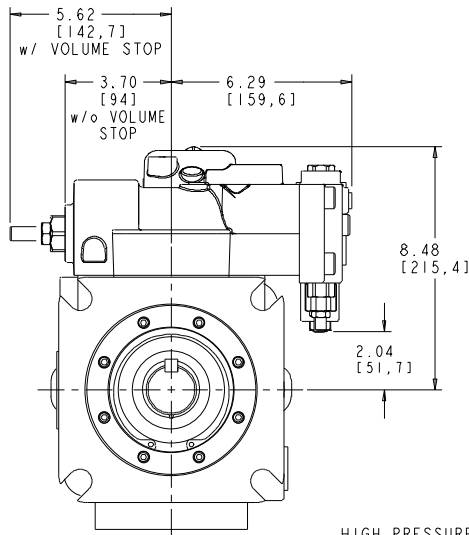
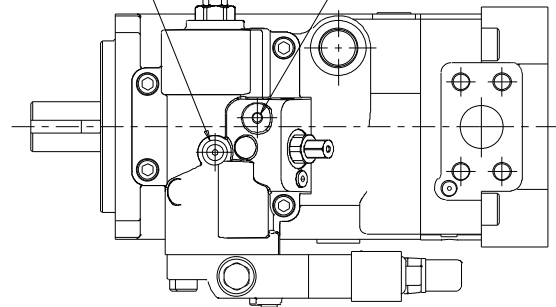
1. PUMPS DESIGNED FOR ONE-WAY SERVICE AND ARE DIMENSIONED AS SHOWN.
2. THESE UNITS ARE DESIGNED TO RUN CASE FULL OF FLUID AT ALL TIMES. FILL CASE BEFORE STARTING AND CONNECT DRAIN LINES ACCORDINGLY.
3. NUMERICAL DIMENSIONS GIVEN IN INCHES/[MM].
4. NET WEIGHT- 211 LBS [92 KG] FOR THRU SHAFT VERSION.



PURGE PORT
#4 SAE STR THD PORT
.438-20UNF-2B THD.
(PLUGGED)

OPTIONAL MAXIMUM VOLUME STOP
.250" [6.3 mm] INTERNAL HEX
1 TURN CW DECREASES DELIVERY 7%
RANGE: 100% TO 0%
FACTORY SET TO MAXIMUM VOLUME
UNLESS OTHERWISE SPECIFIED.

LIFTING HOLE
.375-16UNC-2B



HIGH PRESSURE COMPENSATOR ADJUSTMENT
.188" [4.8 mm] INTERNAL HEX
1 TURN CW INCREASES PRESSURE SETTING 1000 PSI.
RANGE: 300 TO 5000 PSI

LOW PRESSURE COMPENSATOR ADJUSTMENT
.188" [4.8 mm] INTERNAL HEX
1 TURN CW INCREASES PRESSURE SETTING 1000 PSI.
RANGE: 300 TO 5000 PSI

PRESSURE SELECTOR SOLENOID
DIN 43650 ELECTRICAL CONN.