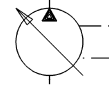


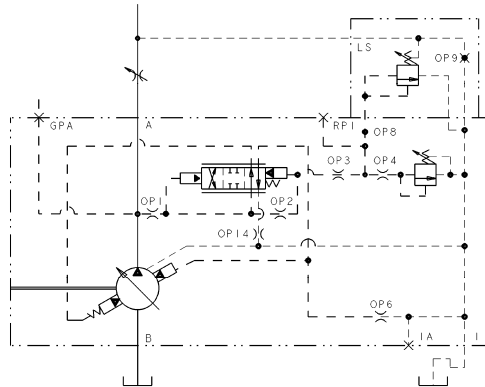
" F1 "

" P-1NN/F " CONTROL

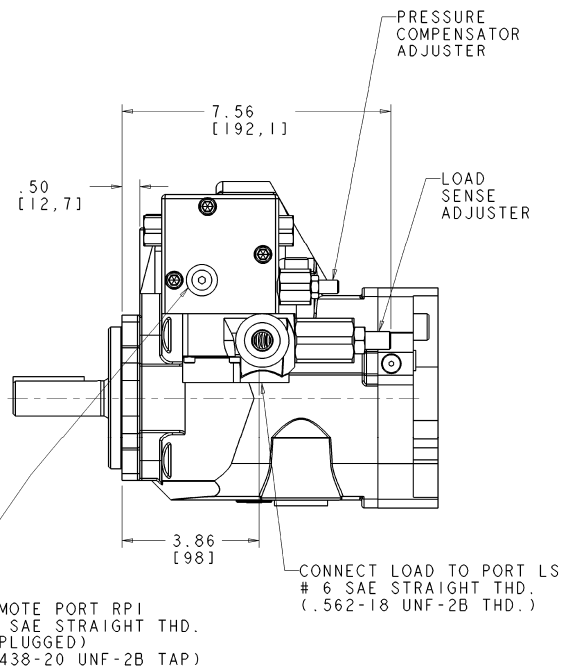
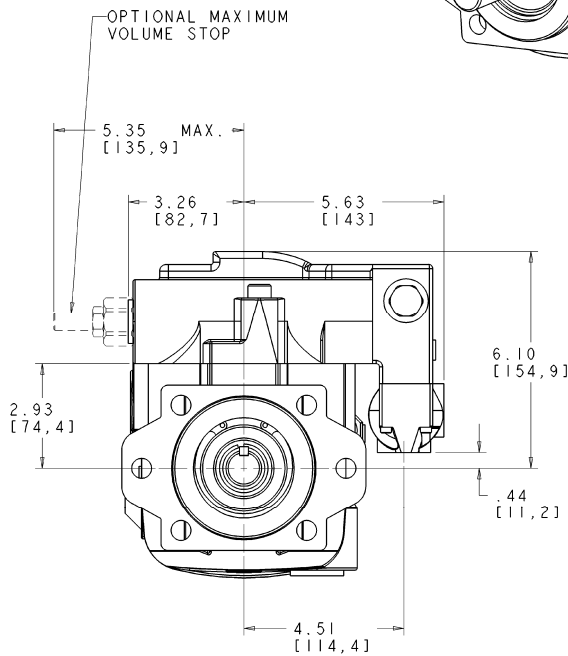
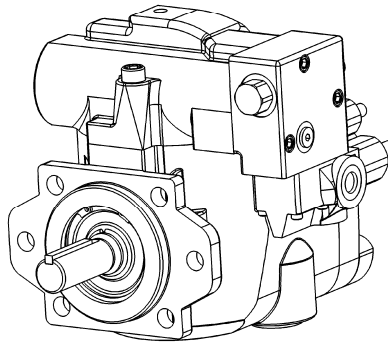


**INSTALLATION DRAWING**

**Single Pressure Compensator Control w/Load Sense**



**HYDRAULIC CIRCUIT**



FOR BASIC PUMP DIMENSIONS  
SEE PLANOGRAPHS;  
DS-47952, DS-47953 & DS-47954

517118-205