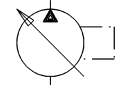


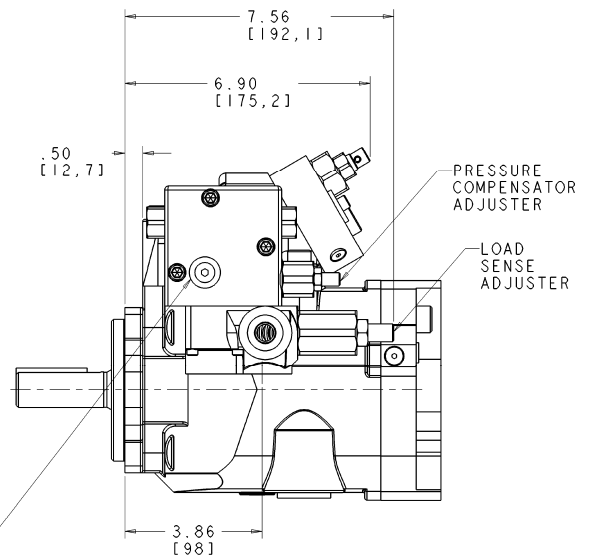
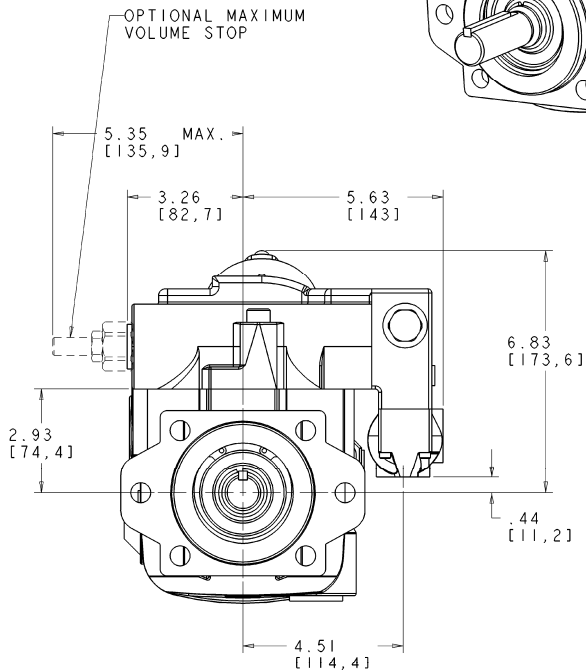
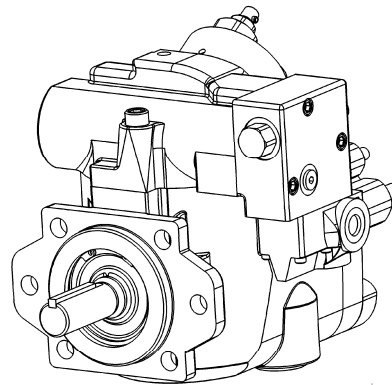
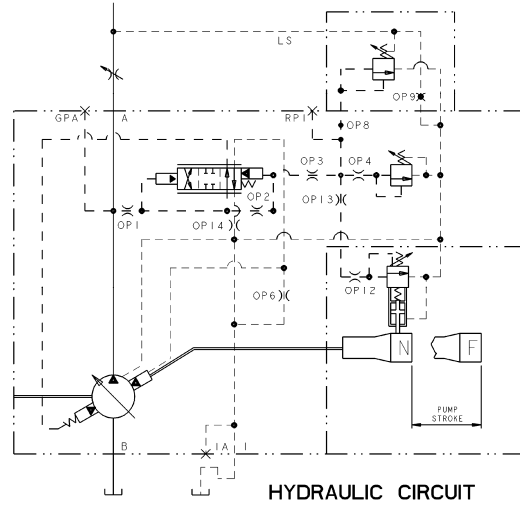
" F1 "

" P-1NN/G " CONTROL



INSTALLATION DRAWING

Single Pressure Compensator Control w/ Horsepower Limiter w/ Load Sense



REMOTE PORT RP1
#4 SAE STRAIGHT THD.
(PLUGGED)
(.438-20 UNF-2B TAP)

FOR BASIC PUMP DIMENSIONS
SEE PLANOGRAPHS;
DS-47952, DS-47953 & DS-47954

517118-207