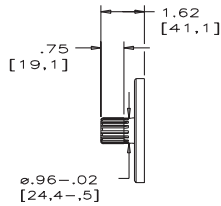
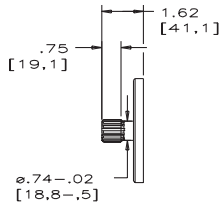


OPTIONAL SAE "B-B"
SPLINE SHAFT
CODE "C"



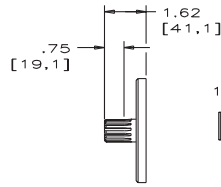
VIEW SHOWING OPTIONAL
SPLINE SHAFT
SAE INVOLUTE SPLINE
15 TEETH, 16/32 PITCH
.995 [25.27] MAJOR DIA.

OPTIONAL SAE "B"
SPLINE SHAFT
CODE "S"



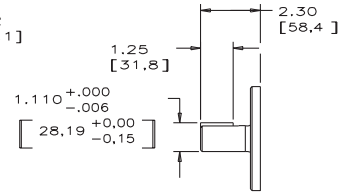
VIEW SHOWING OPTIONAL
SPLINE SHAFT
SAE INVOLUTE SPLINE
13 TEETH, 16/32 PITCH
.859 [21.82] MAJOR DIA.

OPTIONAL SAE "B"
SPLINE SHAFT
CODE "D"

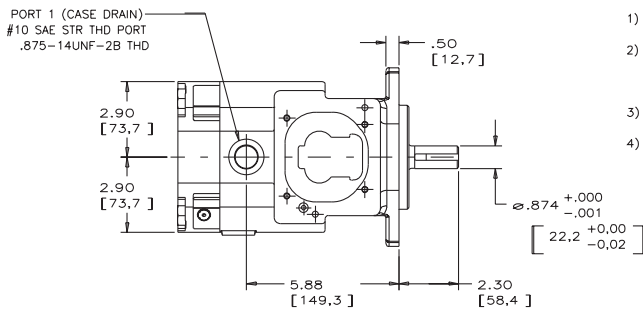
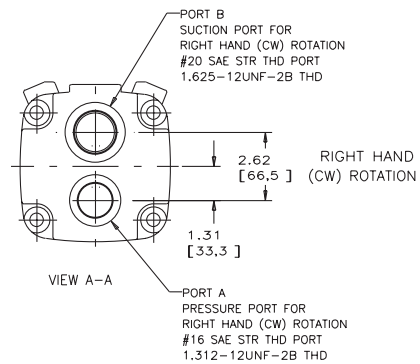
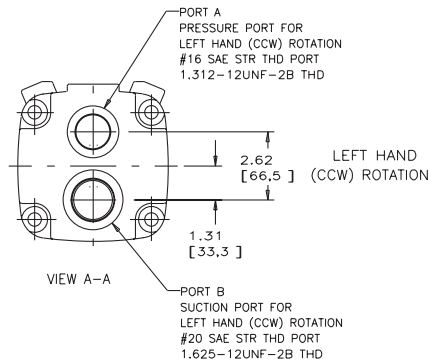


VIEW SHOWING OPTIONAL
SPLINE SHAFT
SAE INVOLUTE SPLINE
13 TEETH, 16/32 PITCH
.875 [22.23] MAJOR DIA.
(INDUSTRIAL VERSION)

OPTIONAL SAE "B-B"
KEYED SHAFT
CODE "B"

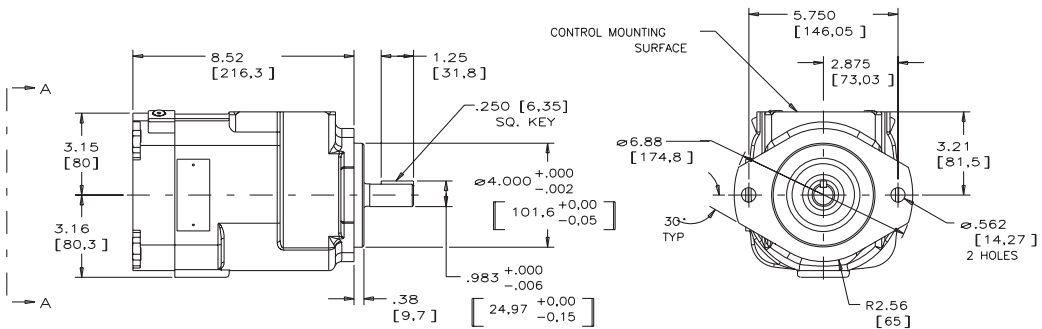


VIEW SHOWING OPTIONAL
KEYED SHAFT
Ø1.000-0.001 [25.40-0.025]
W/ .250 [6.35] SQ. KEY



NOTES:

- 1) PUMPS ARE DESIGNED FOR ONE-WAY SERVICE.
- 2) THESE UNITS ARE DESIGNED TO RUN CASE FULL OF FLUID AT ALL TIMES. FILL CASE BEFORE STARTING AND CONNECT DRAIN LINES ACCORDINGLY.
- 3) NUMERICAL DIMENSIONS GIVEN IN INCHES/[MM].
- 4) NET WEIGHT- 58 LBS. [26,31 KG].



520034-201 sh. 1