

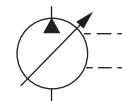


Installation Drawing

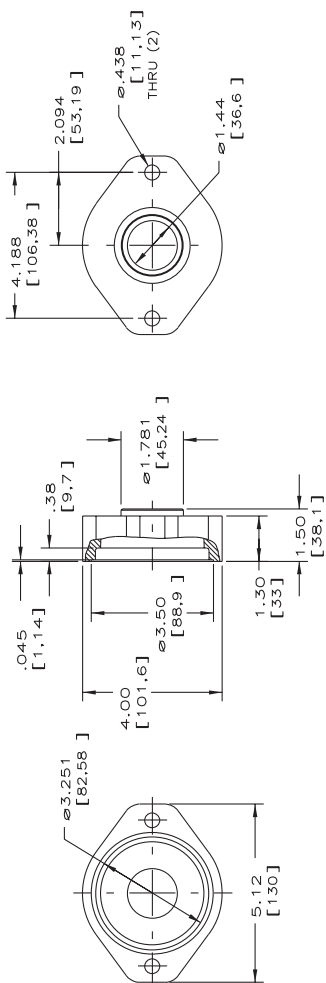
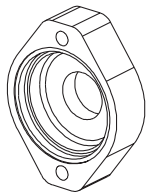
A and B FRAME ADAPTERS

PVWJ 011,014,022 & 025,034,046 ADAPTERS

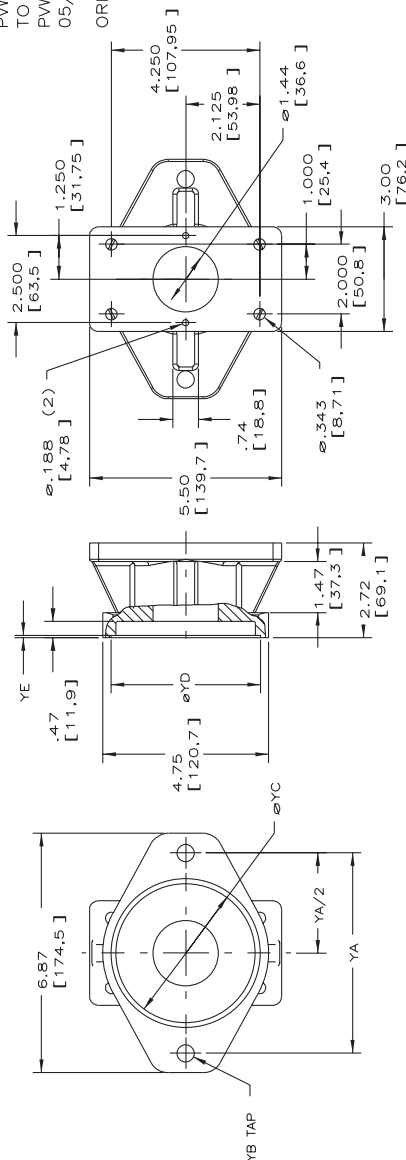
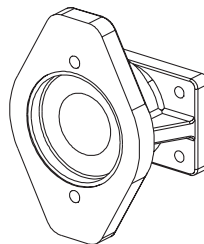
Pump, Variable Delivery



FOR MOUNTING
PVWJ SIZE 011/014/022
TO
PVWJ SIZE 011/014/022 OR
05/07/10/14/20 GEAR PUMPS
ORDER CODE NO.: AN



FOR MOUNTING
PVWJ SIZE 025/034/046
TO
PVWJ SIZE 011/014/022 OR
05/07/10/14/20 GEAR PUMPS
ORDER CODE NO.: AN

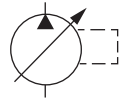


FOR MOUNTING
PVWJ SIZE 025/034/046
TO
PVWJ SIZE 025/034/046
ORDER CODE NO.: BN

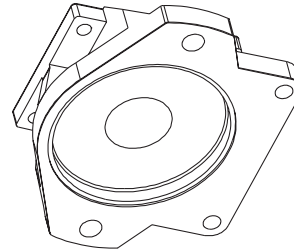
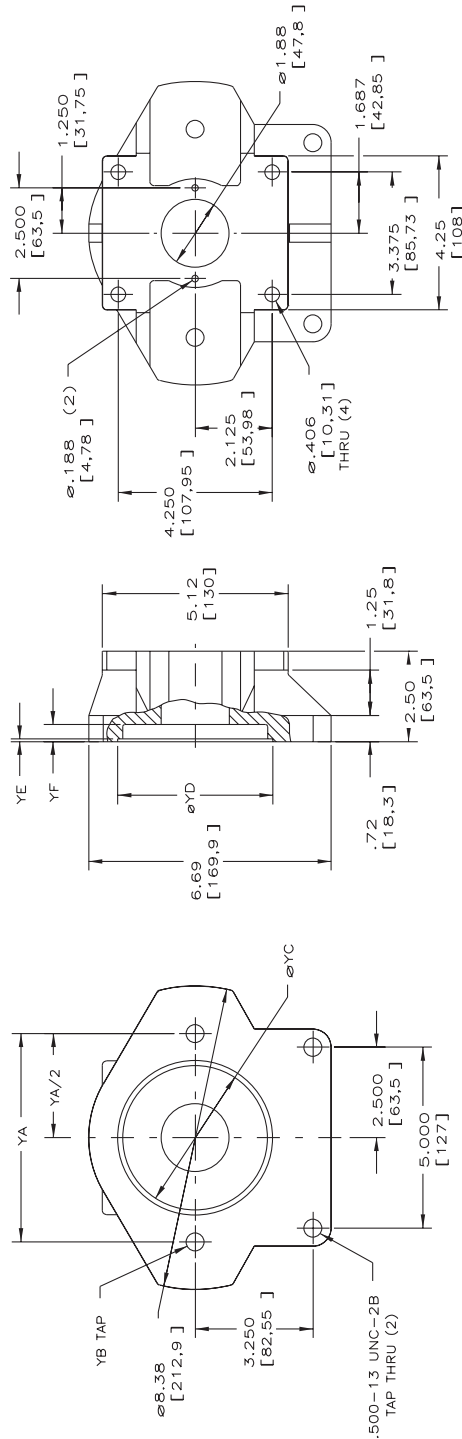
MOUNTING DIMENSIONS						
UNIT SIZE	IN/MM	YA	YB	YC	YD	YE
PVWJ B TO A OR GEAR PUMP	INCH	4.188	.375-16 UNC-2B	3.251	3.500	.045
	METRIC	106.38		82.58	88.9	1.14
PVWJ B TO B	INCH	5.750	.500-13 UNC-2B	4.001	4.281	.070
	METRIC	146.05		101.6	108.74	1.78

PVWJ
011,014,022 & 025,034,046
ADAPTERS

Pump, Variable Delivery



E60346



MOUNTING DIMENSIONS									
UNIT SIZE	IN/MM	YA	YB	YC	YD	YE	YF		
PVWJ C TO A OR GEAR PUMP	INCH	4.188	.375-16 UNC-2B	3.251	3.500	.045	.47		
	METRIC	106.38		82.58	88.9	1.14	11.9		
PVWJ C TO B	INCH	5.750	.500-13 UNC-2B	4.001	4.281	.070	.47		
	METRIC	146.05		101.6	108.74	1.78	11.9		
PVWJ C TO C	INCH	7.125	.625-11 UNC-2B	5.001	5.281	.070	.52		
	METRIC	180.98		127.03	134.14	1.78	13.2		

FOR MOUNTING
PVWJ SIZE 064/076/098/130
TO
PVWJ SIZE 064/076/098/130
ORDER CODE NO.: CN

FOR MOUNTING
PVWJ SIZE 064/076/098/130
TO
PVWJ SIZE 025/034/046
ORDER CODE NO.: BN

FOR MOUNTING
PVWJ SIZE 064/076/098/130
TO
PVWJ SIZE 011/014/022 OR
05/07/10/14/20 GEAR PUMPS
ORDER CODE NO.: AN