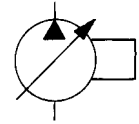




**PUMP, VARIABLE DELIVERY
PVV-540 "B1"
with
"P-2--" or "P-D--" CONTROL**

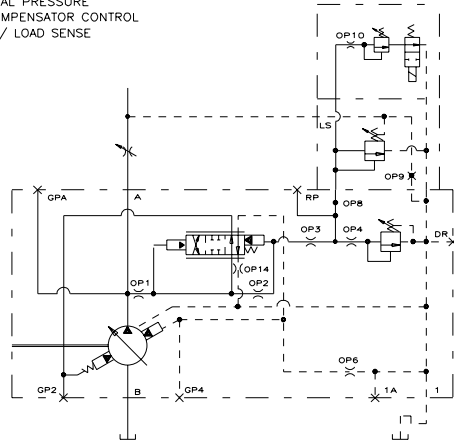
ENGINEERING

1

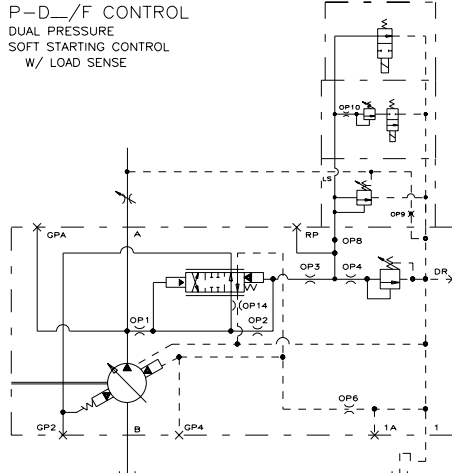


Installation Drawing Dual Pressure Compensator Control with/Load Sense and/or HP Limiter

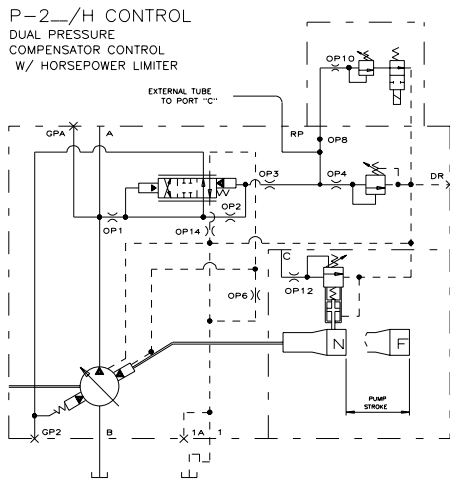
P-2--/F CONTROL
DUAL PRESSURE
COMPENSATOR CONTROL
W/ LOAD SENSE



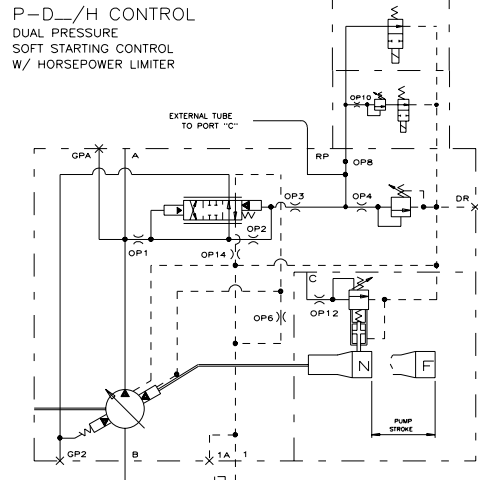
P-D--/F CONTROL
DUAL PRESSURE
SOFT STARTING CONTROL
W/ LOAD SENSE



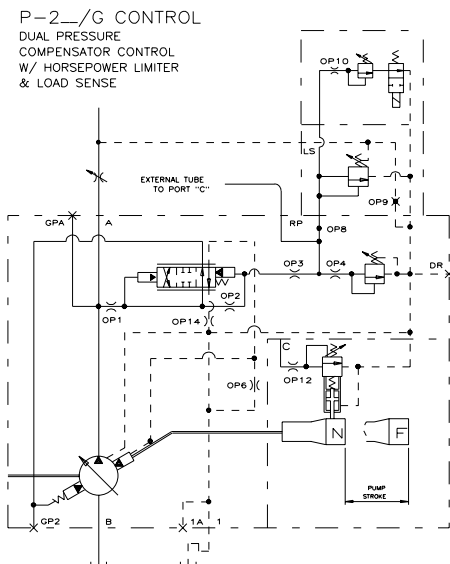
P-2--/H CONTROL
DUAL PRESSURE
COMPENSATOR CONTROL
W/ HORSEPOWER LIMITER



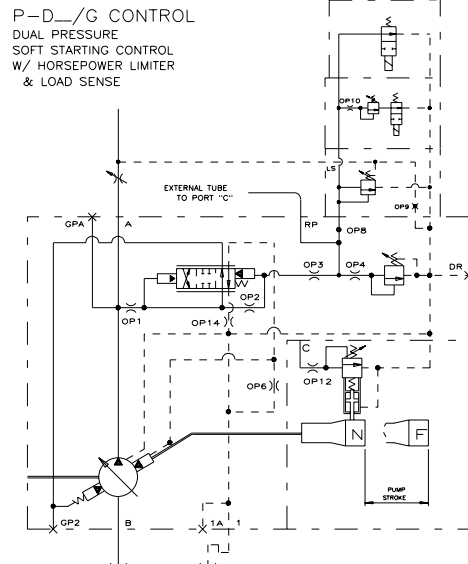
P-D--/H CONTROL
DUAL PRESSURE
SOFT STARTING CONTROL
W/ HORSEPOWER LIMITER



P-2--/G CONTROL
DUAL PRESSURE
COMPENSATOR CONTROL
W/ HORSEPOWER LIMITER
& LOAD SENSE



P-D--/G CONTROL
DUAL PRESSURE
SOFT STARTING CONTROL
W/ HORSEPOWER LIMITER
& LOAD SENSE

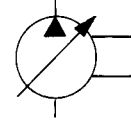


519256-006 sh. 6

Telephone: (414) 327-1700
Fax: (414) 327-0532

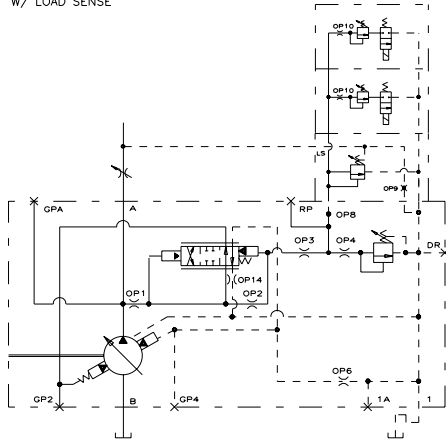
OILGEAR
2300 So. 51st. Street
Milwaukee, WI USA 53219

Issued: Oct., 2002
DS-47516

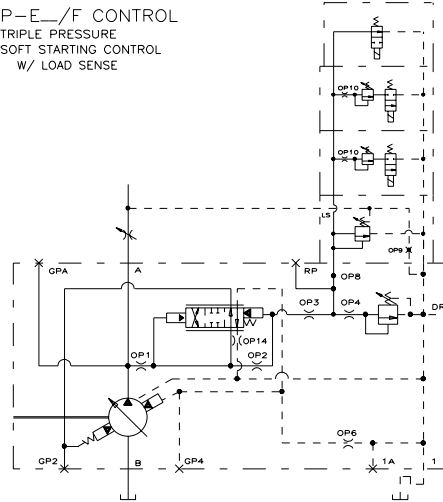


Installation Drawing Triple Pressure Compensator Control with/Load Sense and/or HP Limiter

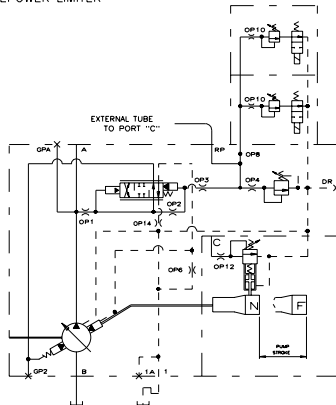
P-3_/F CONTROL
TRIPLE PRESSURE
COMPENSATOR CONTROL
W/ LOAD SENSE



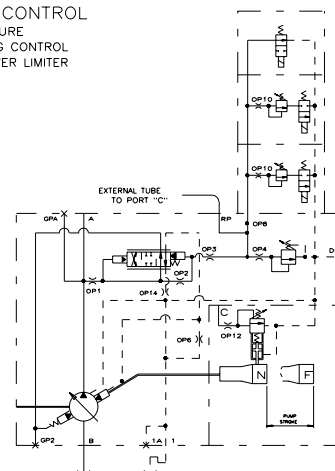
P-E_/F CONTROL
TRIPLE PRESSURE
SOFT STARTING CONTROL
W/ LOAD SENSE



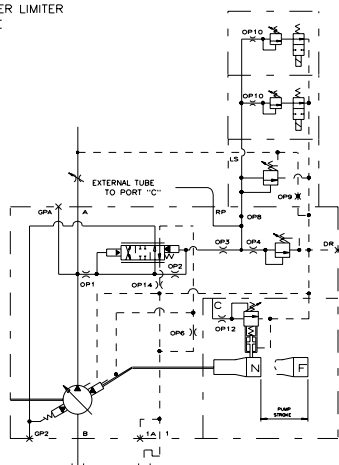
P-3_/H CONTROL
TRIPLE PRESSURE
COMPENSATOR CONTROL
W/ HORSEPOWER LIMITER



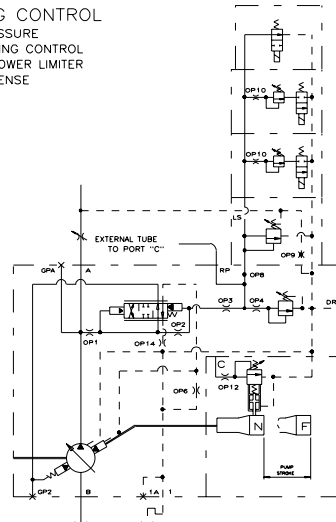
P-E_/H CONTROL
TRIPLE PRESSURE
SOFT STARTING CONTROL
W/ HORSEPOWER LIMITER



P-3_/G CONTROL
TRIPLE PRESSURE
COMPENSATOR CONTROL
W/ HORSEPOWER LIMITER
& LOAD SENSE



P-E_/G CONTROL
TRIPLE PRESSURE
SOFT STARTING CONTROL
W/ HORSEPOWER LIMITER
& LOAD SENSE



519256-006 sh. 8