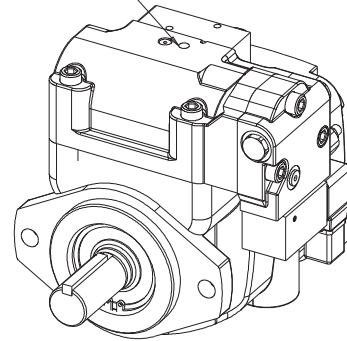


NOTES:

1. PUMPS DESIGNED FOR ONE-WAY SERVICE AND ARE DIMENSIONED AS SHOWN.
2. THESE UNITS ARE DESIGNED TO RUN CASE FULL OF FLUID AT ALL TIMES. FILL CASE BEFORE STARTING AND CONNECT DRAIN LINES ACCORDINGLY.
3. NUMERICAL DIMENSIONS GIVEN IN INCHES/[MM].
4. NET WEIGHT- 130 LBS [56 KG] FOR VERSION SHOWN  
133 LBS [57 KG] FOR SIDE PORT VALVE PLATE  
140 LBS [62 KG] FOR THRU SHAFT VERSION.

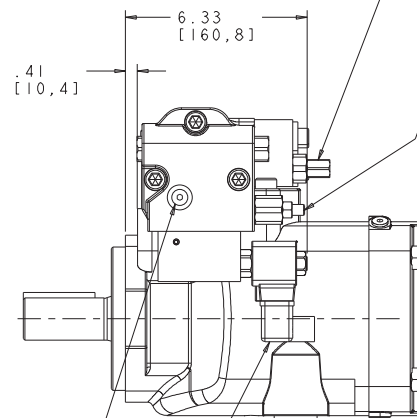
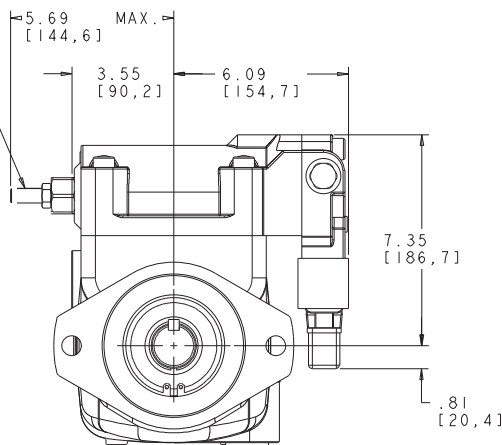
LIFTING HOLE  
.375-16UNC-2B



OPTIONAL MAXIMUM VOLUME STOP  
.250" [6.3 mm] INTERNAL HEX  
1 TURN CW DECREASES DELIVERY 7%  
RANGE: 100% TO 0%  
FACTORY SET TO MAXIMUM VOLUME  
UNLESS SPECIFIED OTHERWISE.

PRESSURE COMPENSATOR ADJUSTMENT  
.188" [4.8 mm] INTERNAL HEX  
1 TURN CW INCREASES PRESSURE SETTING 1000 PSI.  
RANGE: 300 TO 3750 PSI (130) 5000 PSI (100)

HORSEPOWER LIMITER  
ADJUSTER - FACTORY SET



REMOTE PORT RP1-  
#4 SAE STR. THD.  
(PLUGGED)  
(.438-20UNF-2B THD.)

SOFT START SOLENOID  
DIN 43650 ELECTRICAL CONN.

FOR BASIC PUMP DIMENSIONS  
SEE PLANOGRAPHS:  
DS-47942 DS-47943 DS-47944