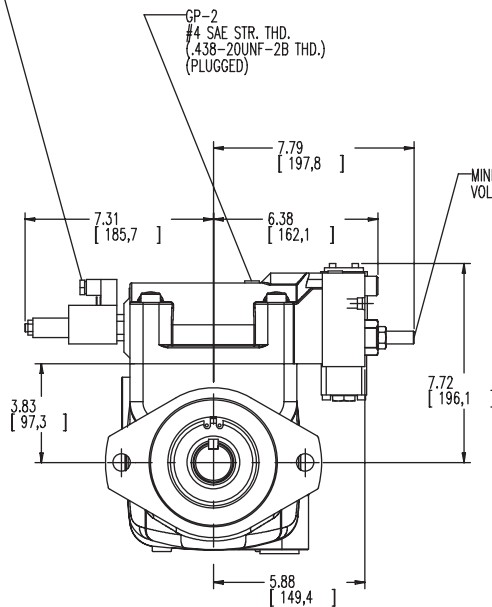


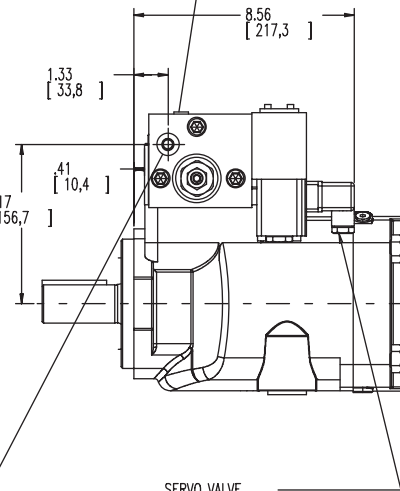
LVDT ELECTRICAL CONNECTION
MPM-193-07-N 4-PIN MINI DIN
PG-7 (6.5mm) CABLE CONNECTION



GP-2
#4 SAE STR. THD.
(.438-20UNF-2B THD.)
(PLUGGED)

GP-4
#4 SAE STR. THD.
(.438-20UNF-2B THD.)
(PLUGGED)

MINIMUM
VOLUME STOP



PILOT PRESSURE INLET
#4 SAE STR. THD.
(.438-20UNF-2B THD.)
(3-MICRON FILTERED OIL
REQUIRED 580 PSI)

SERVO VALVE
DIN 43650 ELECTRICAL
CONNECTION

FOR BASIC PUMP DIMENSIONS
SEE PLANOGRAPHS:
DS-47942 DS-47943 DS-47944

516152-217