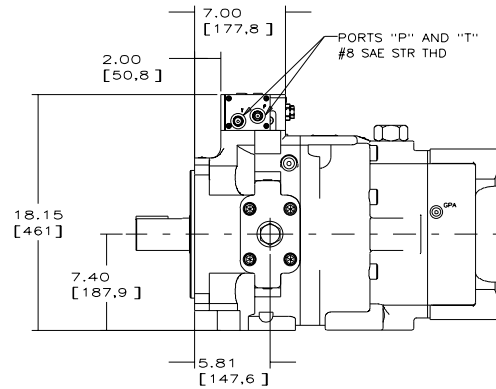
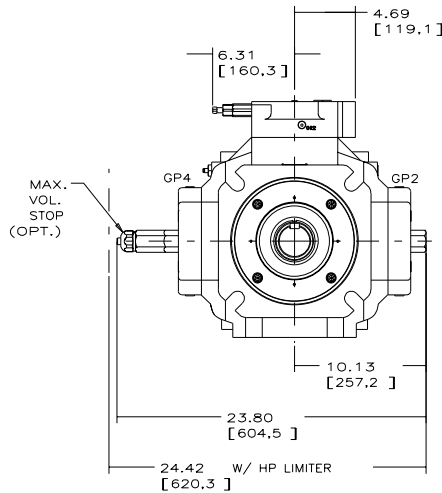
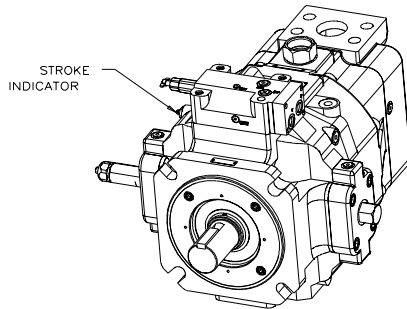


**Installation Drawing Remote Pressure Compensator and Remote w/Horsepower Limit Control**

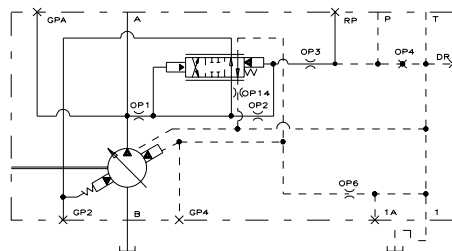
PVV-540-BIU PUMP  
WITH P-RNN CONTROL (SHOWN)  
AND P-RNN/H CONTROL

**NOTES:**

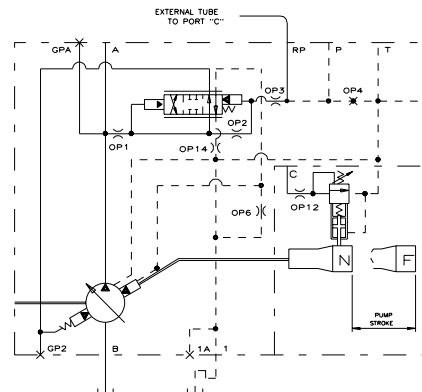
1. PUMPS DESIGNED FOR ONE-WAY SERVICE ARE DIMENSIONED AS SHOWN.
2. THESE UNITS ARE DESIGNED TO RUN CASE FULL OF FLUID AT ALL TIMES. FILL CASE BEFORE STARTING AND CONNECT DRAIN LINES ACCORDINGLY.
3. NUMERICAL DIMENSIONS ARE GIVEN IN INCHES/[MM].
4. NET WEIGHT: P-RNN CONTROL  
815 LBS (369 KG) SIDE PORTED (SHOWN)  
760 LBS (344 KG) REAR PORTED  
  
WITH HORSEPOWER LIMITER ADD 25 LBS (11 KG)
5. FOR BASIC PUMP DIMENSIONS SEE:  
DS-47940A
6. LEFTHAND (CW) VERSION IS SHOWN.  
FOR RIGHTHAND (CCW) VERSION, THE CONTROL CAPS, VOLUME STOPS, AND STROKE INDICATOR WILL BE ON THE OPPOSITE SIDES, ASSUMING THAT THE OUTLET IS ON THE TOP.
7. FOR HP CONTROLS, "RP" ON THE CONTROL BLOCK IS CONNECTED TO "C" ON THE HP MODULE WITH AN EXTERNAL TUBE.



**P-RNN CONTROL  
REMOTE CONTROL**



**P-RNN/H CONTROL  
REMOTE CONTROL W/ HORSEPOWER LIMITER**



519256-006 sh.11