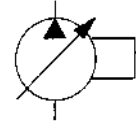


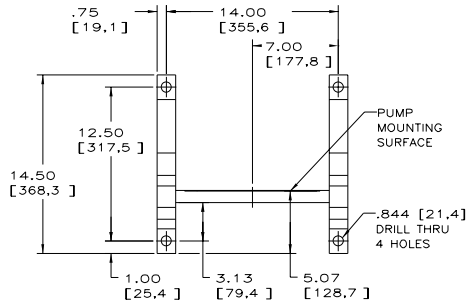
"Mounting Brackets"



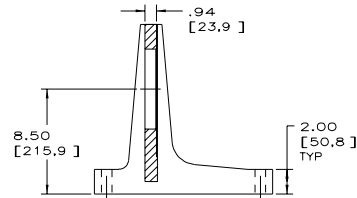
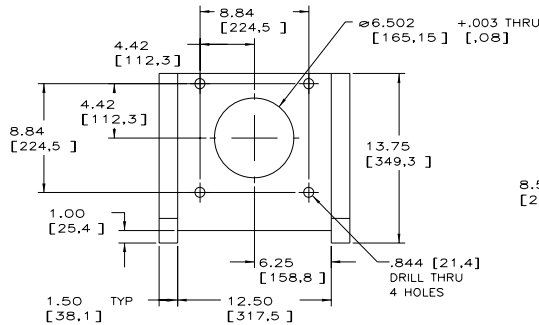
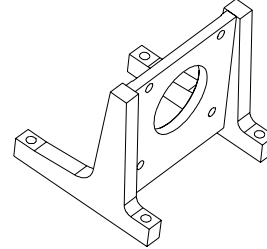
Installation Drawing

Foot Type Mounting Brackets

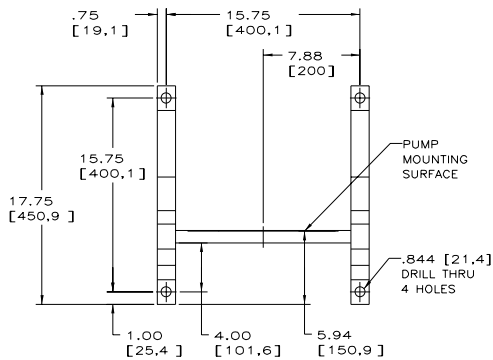
FOR PVV200/250-B1 PUMPS
SAE "E" 4-BOLT PUMP MTG BRACKET



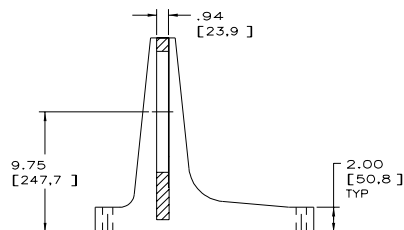
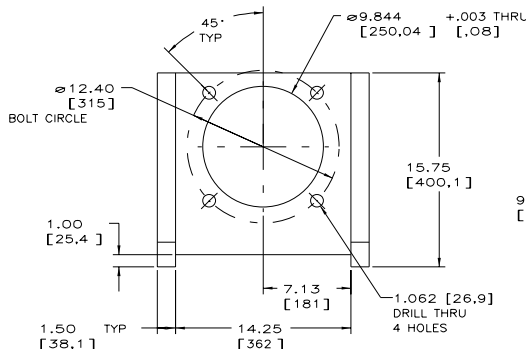
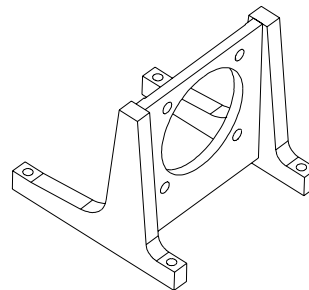
- NOTES:
1) DIMENSIONS GIVEN IN INCHES/[MM]
2) NET WEIGHT - 86 LBS (39 KG)
3) FOR BASIC PUMP DIMENSIONS SEE:
DS-47939A SAE MOUNT, USA CONNECTIONS
DS-M47939A SAE MOUNT, METRIC CONNECTIONS



FOR PW540-B1 PUMPS
ISO 250 4-BOLT PUMP MTG BRACKET



- NOTES:
1) DIMENSIONS GIVEN IN INCHES/[MM]
2) NET WEIGHT - 107 LBS (49 KG)
3) FOR BASIC PUMP DIMENSIONS SEE:
DS-47940A ISO MOUNT, USA CONNECTIONS
DS-M47940A ISO MOUNT, METRIC CONNECTIONS



519152.sh.1