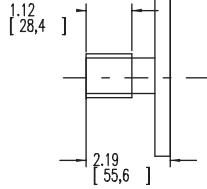


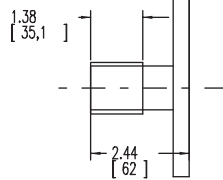
OPTIONAL SAE "C" SPLINE SHAFT  
(SAE "32-4") (CODE K)

VIEW SHOWING OPTIONAL SPLINE SHAFT  
SAE INVOLUTE SPLINE 14 TEETH, 12/24 PITCH  
1.235-.005(31.37-.13) MAJOR DIA.



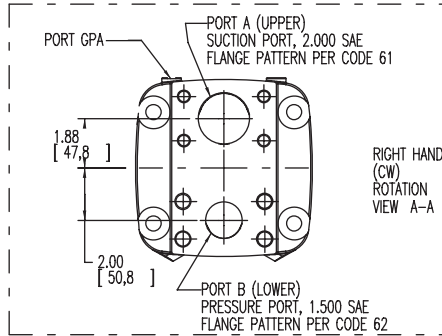
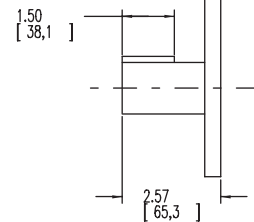
OPTIONAL SAE "C-C" SPLINE SHAFT  
(SAE "38-4") (CODE S)

VIEW SHOWING OPTIONAL SPLINE SHAFT  
SAE INVOLUTE SPLINE 17 TEETH, 12/24 PITCH  
1.485-.005(37.72-.13) MAJOR DIA.



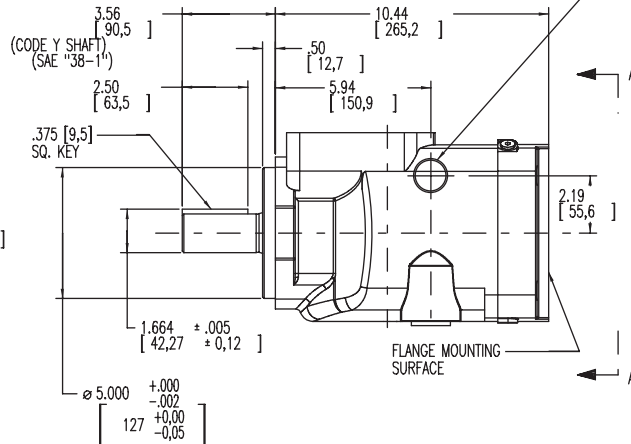
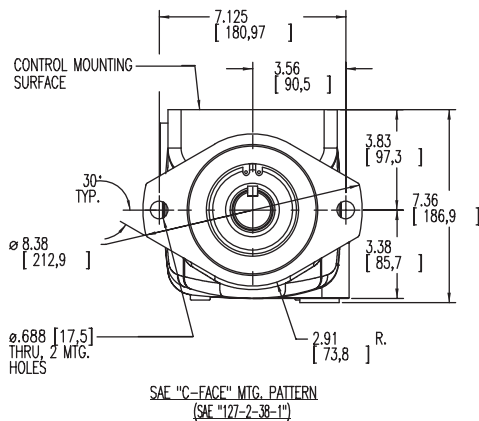
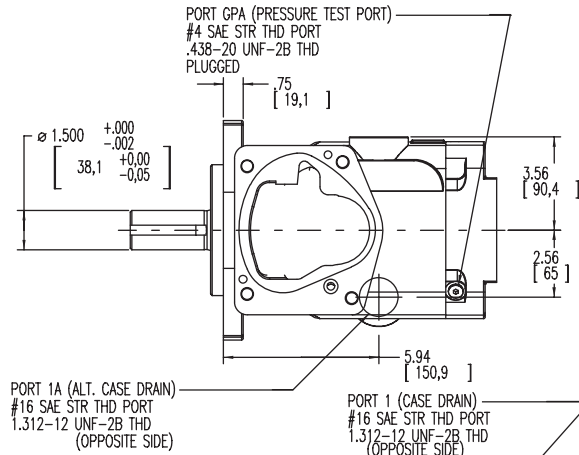
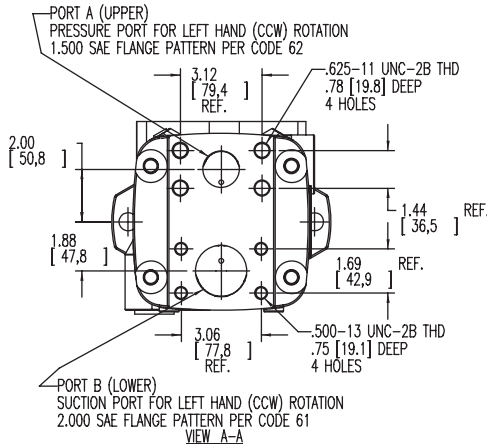
OPTIONAL KEYED SHAFT  
(SAE "38-1") (CODE Z)

(FOR KEY & SHAFT  
INFO. SEE BEOLW)

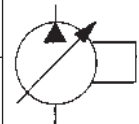


NOTES:

1. PUMPS DESIGNED FOR ONE-WAY SERVICE ARE DIMENSIONED AS SHOWN.
2. THESE UNITS ARE DESIGNED TO RUN CASE FULL OF FLUID AT ALL TIMES. FILL CASE BEFORE STARTING AND CONNECT DRAIN LINES ACCORDINGLY.
3. NUMERICAL DIMENSIONS GIVEN IN INCHES/(MM).
4. NET WEIGHT- 86 LBS (39 KG).

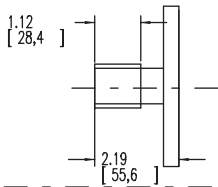


516152-201



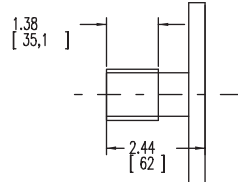
OPTIONAL SAE "C" SPLINE SHAFT  
(SAE "32-4") (CODE K)

VIEW SHOWING OPTIONAL SPLINE SHAFT  
SAE INVOLUTE SPLINE 14 TEETH, 12/24 PITCH  
1.235-.005(31.37-.13) MAJOR DIA.



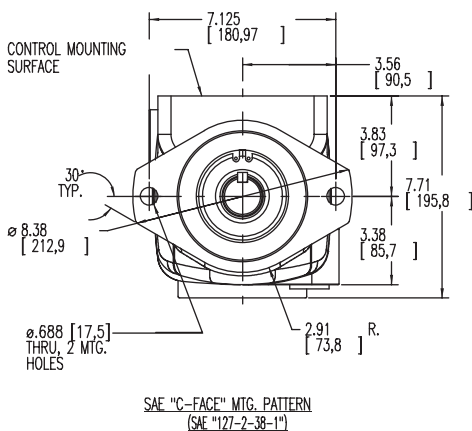
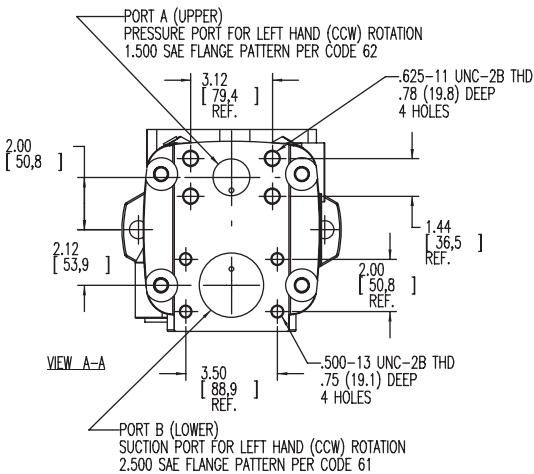
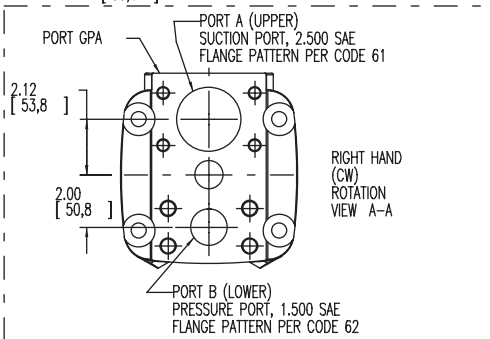
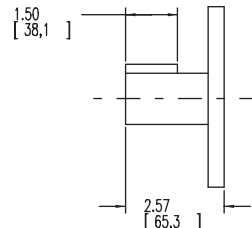
OPTIONAL SAE "C-C" SPLINE SHAFT  
(SAE "38-4") (SAE CODE S)

VIEW SHOWING OPTIONAL SPLINE SHAFT  
SAE INVOLUTE SPLINE 17 TEETH, 12/24 PITCH  
1.485-.005(37.72-.13) MAJOR DIA.



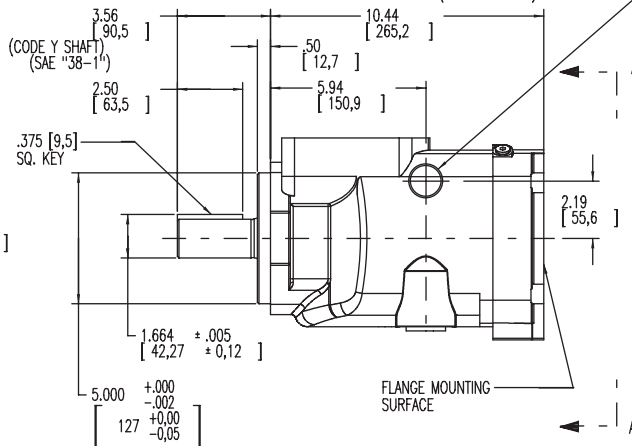
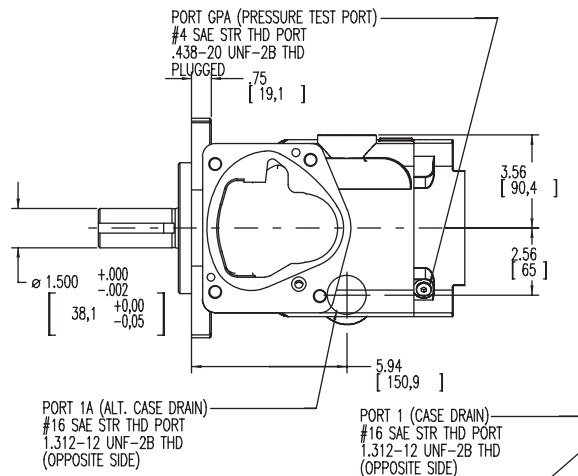
OPTIONAL KEYED SHAFT  
(SAE "38-1") (CODE Z)

(FOR KEY & SHAFT  
INFO SEE BELOW)



NOTES:

1. PUMPS DESIGNED FOR ONE-WAY SERVICE ARE DIMENSIONED AS SHOWN.
2. THESE UNITS ARE DESIGNED TO RUN CASE FULL OF FLUID AT ALL TIMES. FILL CASE BEFORE STARTING AND CONNECT DRAIN LINES ACCORDINGLY.
3. NUMERICAL DIMENSIONS GIVEN IN INCHES/(MM).
4. NET WEIGHT-87 LBS(42 KG.).



516152-202