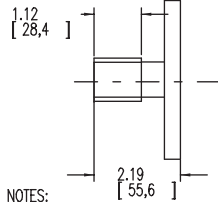


OPTIONAL SAE "C" SPLINE SHAFT  
(SAE "32-4") (CODE K)

VIEW SHOWING OPTIONAL SPLINE SHAFT  
SAE INVOLUTE SPLINE 14 TEETH, 12/24 PITCH  
1.235-.005(31.37-.13) MAJOR DIA.

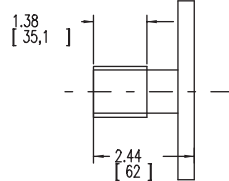


NOTES:

1. PUMPS DESIGNED FOR ONE-WAY SERVICE ARE DIMENSIONED AS SHOWN.
2. NUMERICAL DIMENSIONS GIVEN IN INCHES/(MM).
3. FOR INFORMATION ON ADDITIONAL PUMP ADAPTER MOUNTING SURFACE SEE DS-47945 & DS-47946.

OPTIONAL SAE "C-C" SPLINE SHAFT  
(SAE "38-4") (CODE S)

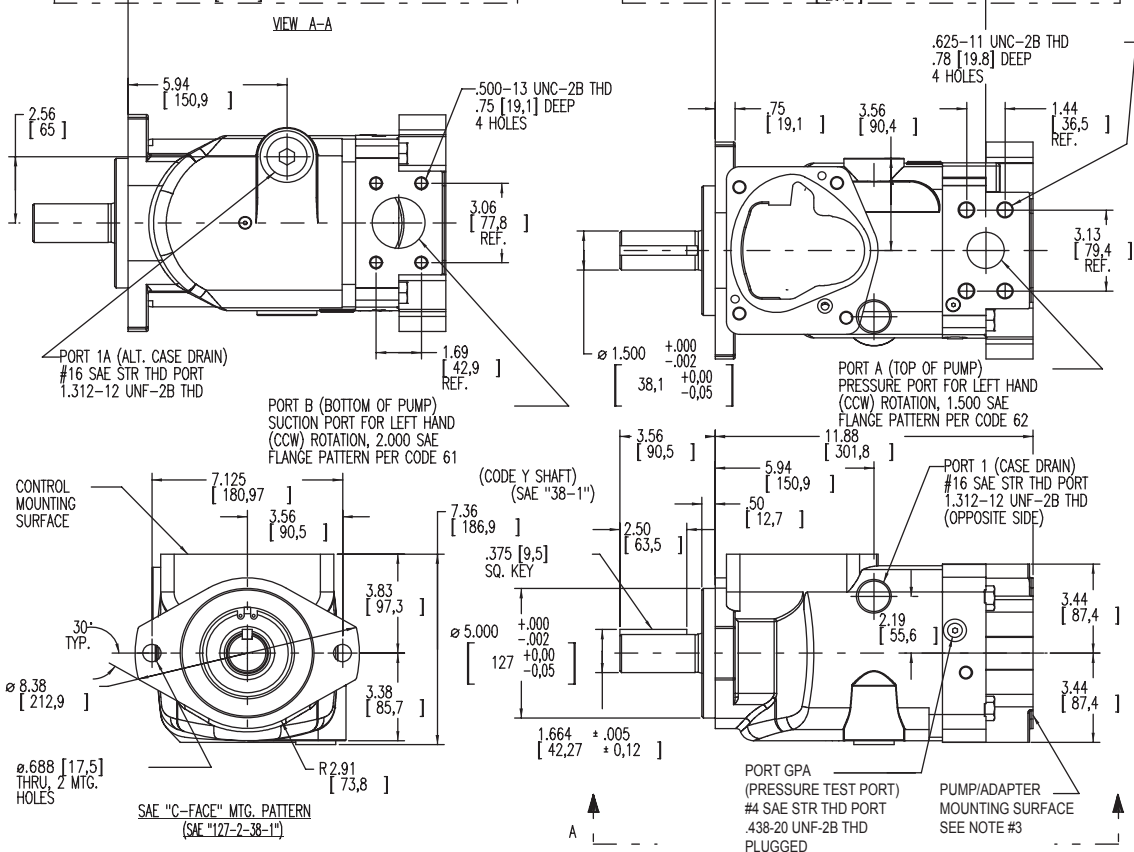
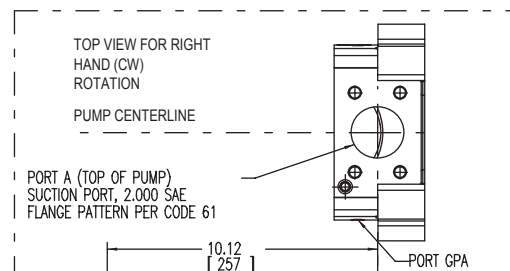
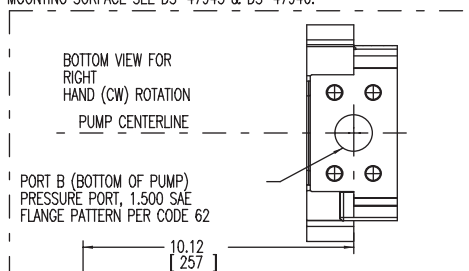
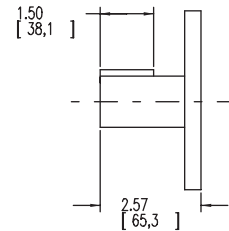
VIEW SHOWING OPTIONAL SPLINE SHAFT  
SAE INVOLUTE SPLINE 17 TEETH, 12/24 PITCH  
1.485-.005(37.72-.13) MAJOR DIA.



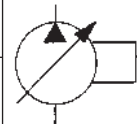
4. THESE UNITS ARE DESIGNED TO RUN CASE FULL OF FLUID AT ALL TIMES. FILL CASE BEFORE STARTING AND CONNECT DRAIN LINES ACCORDINGLY.
5. NET WEIGHT 95 LBS (42KG.)

OPTIONAL KEYED SHAFT  
(SAE "38-1") (CODE Z)

(FOR KEY & SHAFT  
INFO SEE BELOW)

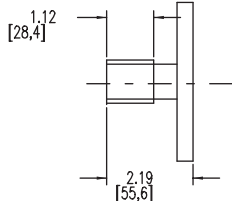


516152-205



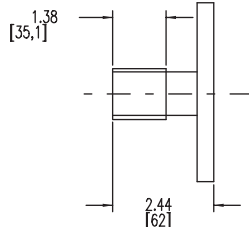
OPTIONAL SAE "C" SPLINE SHAFT  
(SAE "32-4") (CODE K)

VIEW SHOWING OPTIONAL SPLINE SHAFT  
SAE INVOLUTE SPLINE 14 TEETH, 12/24 PITCH  
1.235-.005(31.37-.13) MAJOR DIA.



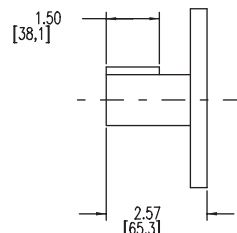
OPTIONAL SAE "C-C" SPLINE SHAFT  
(SAE "38-4") (CODE S)

VIEW SHOWING OPTIONAL SPLINE SHAFT  
SAE INVOLUTE SPLINE 17 TEETH, 12/24 PITCH  
1.485-.005(37.72-.13) MAJOR DIA.



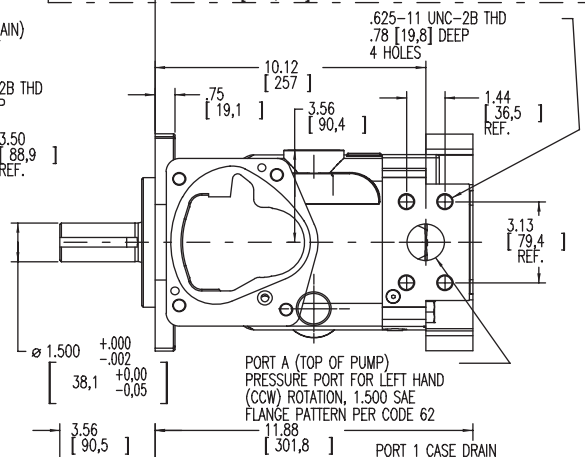
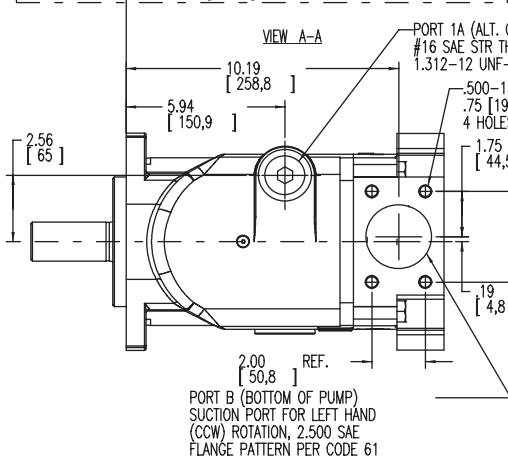
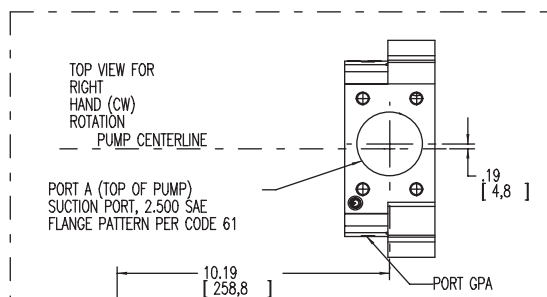
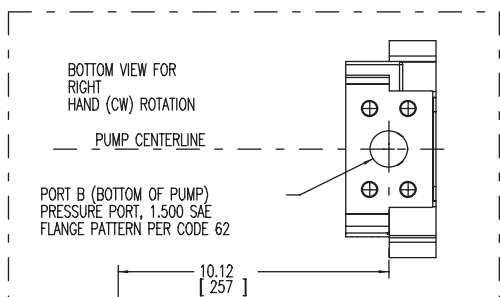
OPTIONAL KEYED SHAFT  
(SAE "38-1") (CODE Z)

(FOR KEY & SHAFT  
INFO SEE BELOW)



NOTES:

1. PUMPS DESIGNED FOR ONE-WAY SERVICE ARE DIMENSIONED AS SHOWN.
2. NUMERICAL DIMENSIONS GIVEN IN INCHES/(MM).
3. FOR INFORMATION ON ADDITIONAL PUMP/ADAPTER MOUNTING SURFACE SEE DS-47945 & DS-47946.
4. THESE UNITS ARE DESIGNED TO RUN CASE FULL OF FLUID AT ALL TIMES. FILL CASE BEFORE STARTING AND CONNECT DRAIN LINES ACCORDINGLY.
5. NET WEIGHT-95 LBS (42 KG.).



516152-206

