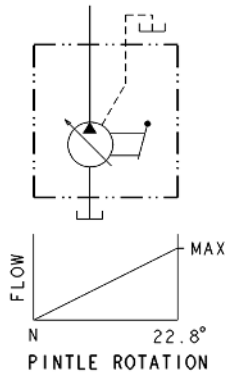


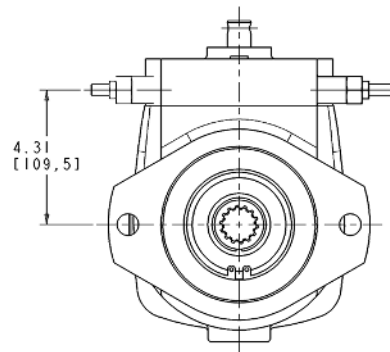
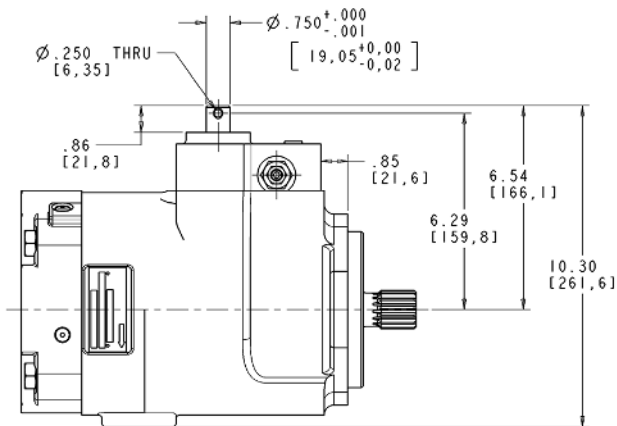
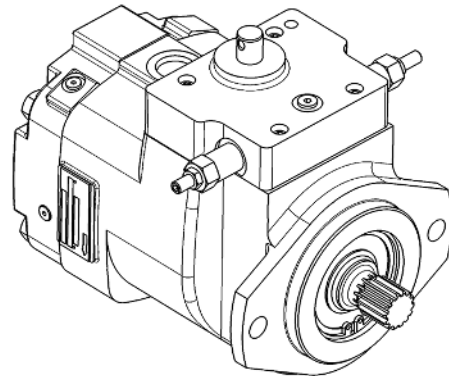
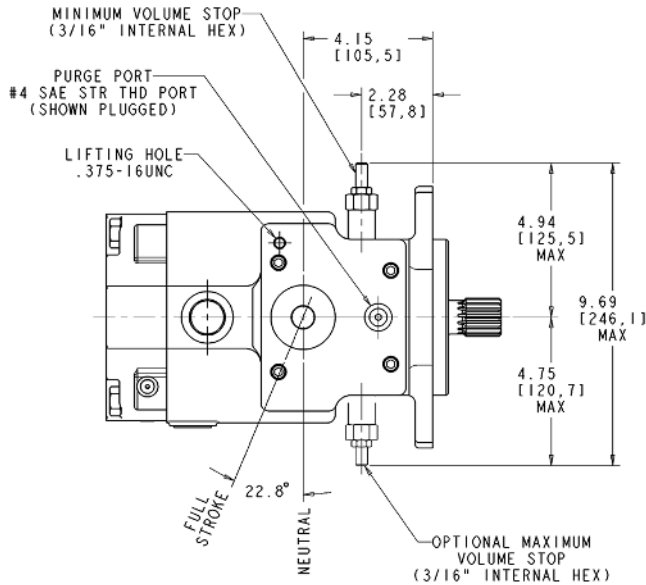
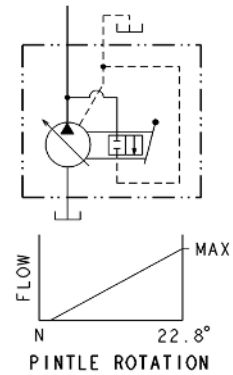
NOTES:

- 1) PUMP IS DESIGNED FOR ONE-WAY SERVICE ONLY, AND IS DIMENSIONED AS SHOWN.
- 2) THESE UNITS ARE DESIGNED TO RUN CASE FULL OF FLUID AT ALL TIMES. FILL CASE BEFORE STARTING AND CONNECT DRAIN LINES ACCORDINGLY.
- 3) NUMERICAL DIMENSIONS GIVEN IN INCHES/[MM].
- 4) NET WEIGHT- 103 LBS [46,7 KG]

M-N CONTROL



M-S CONTROL



FOR BASIC PUMP DIMENSIONS SEE PLANOGRAPHS:
SIZE -064 PUMP: DS-47486, DS-47488
SIZE -076/-098/-130 PUMPS: DS-47487, DS-47489

520012-313