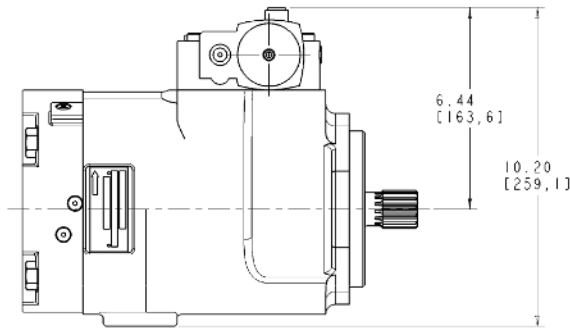
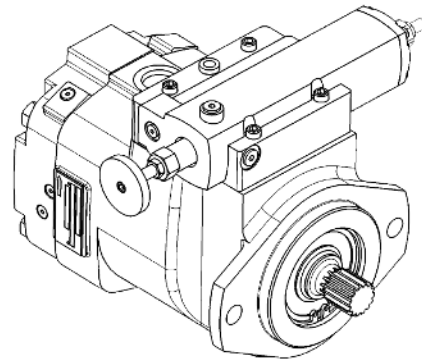
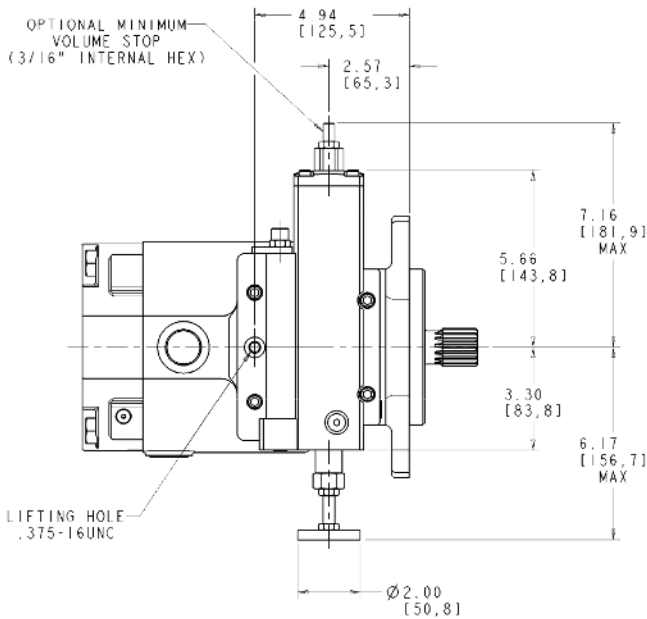
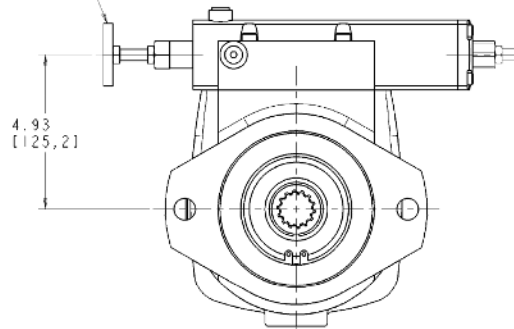


**HYDRAULIC CIRCUIT**  
PUMP WITH M-H CONTROL



CLOCKWISE ROTATION OF HANDWHEEL DECREASES PUMP FLOW.  
COUNTERCLOCKWISE ROTATION INCREASES PUMP FLOW.  
NEUTRAL TO FULL STROKE REQUIRES 18 TURNS.



FOR BASIC PUMP DIMENSIONS SEE PLANOGRAPHS:  
SIZE -064 PUMP: DS-47486, DS-47488  
SIZE -076/-098/-130 PUMPS: DS-47487, DS-47489

520012-312