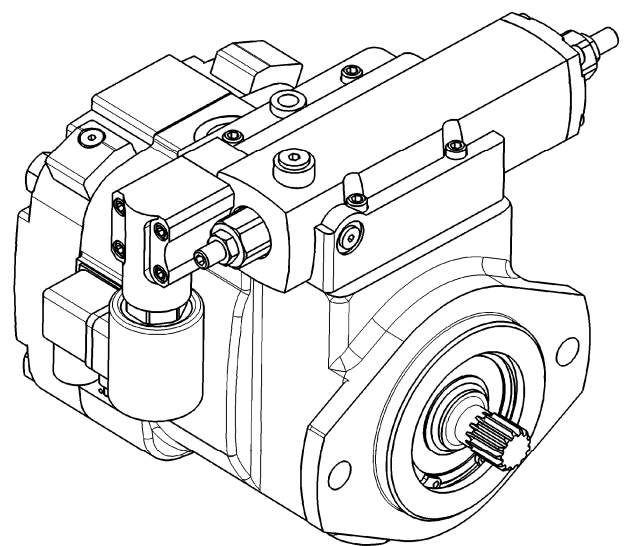
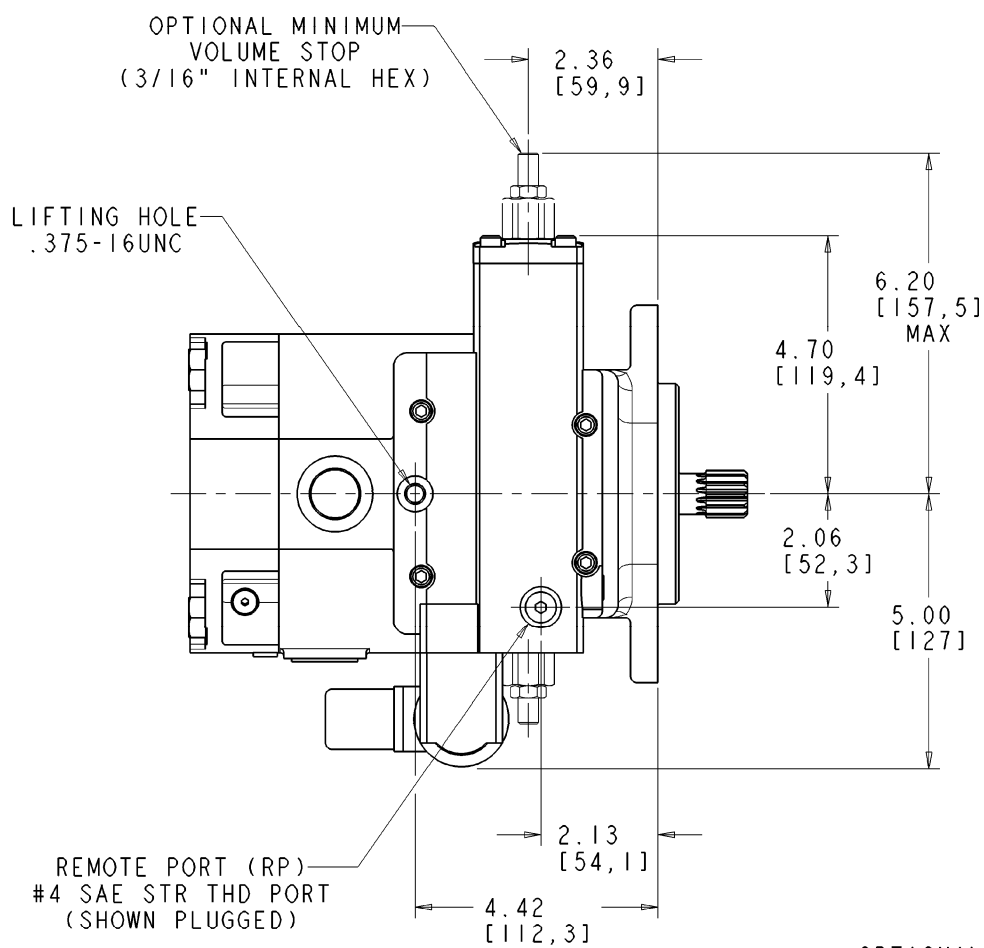
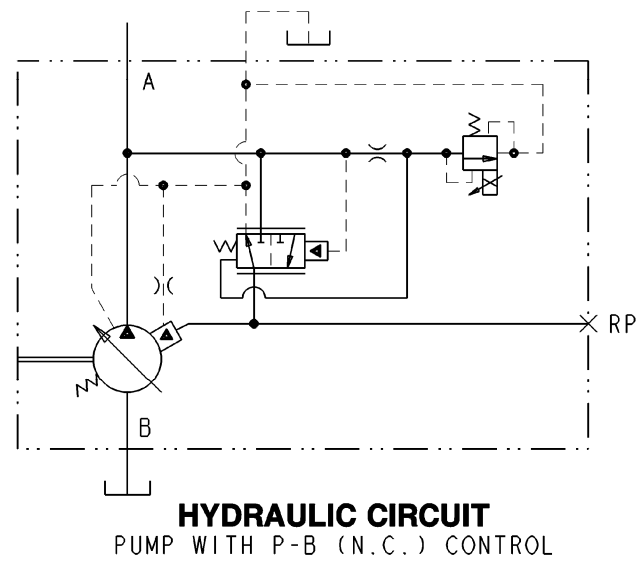
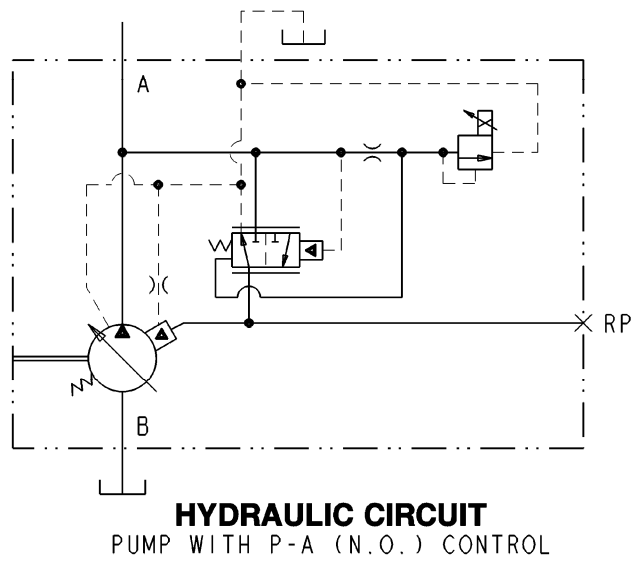
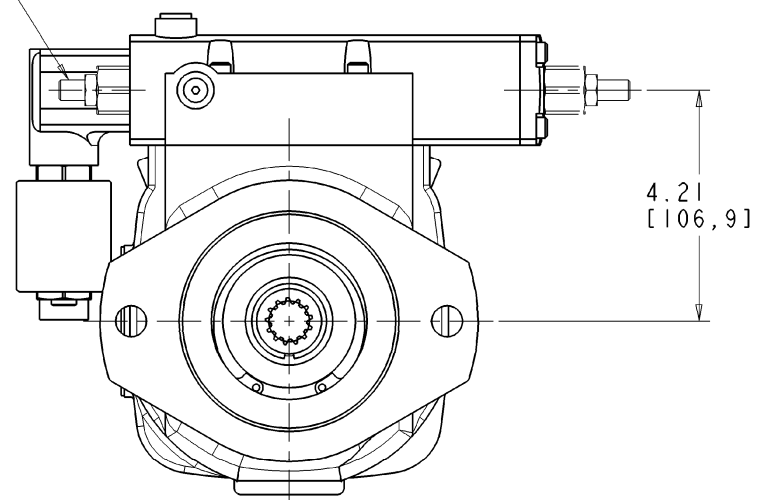
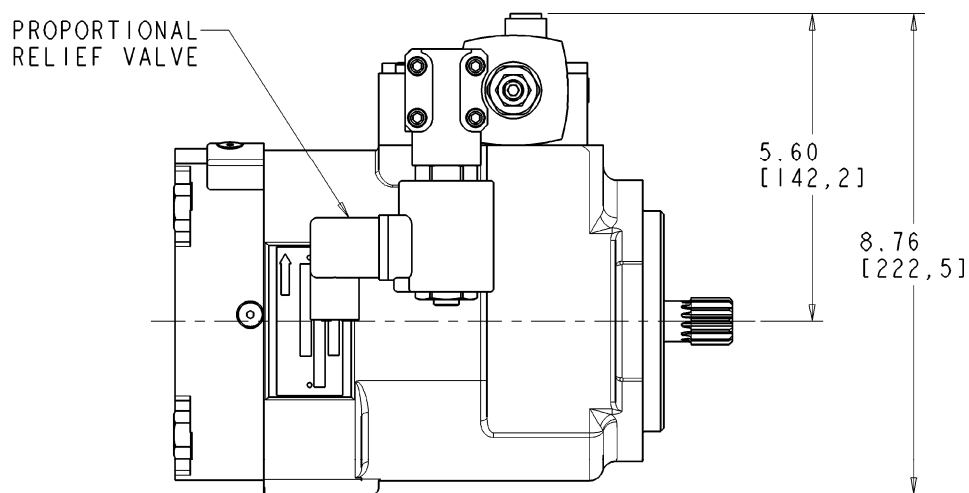


Installation Drawing Electronic Proportional Pressure Compensator Control (B Frame)



OPTIONAL MAXIMUM VOLUME STOP (3/16" INTERNAL HEX)



FOR BASIC PUMP DIMENSIONS SEE PLANOGRAPHS:
DS-47483, DS-47484, DS-47485

520012-206

Telephone: (414) 327-1700
Fax: (414) 327-0532

OILGEAR
2300 So. 51st Street
Milwaukee, WI USA 53219

Issued: June, 2009
DS-48109