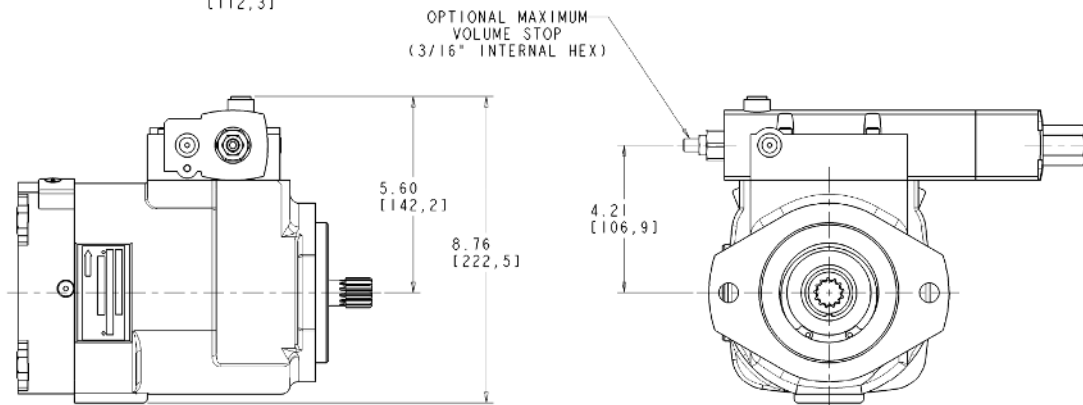
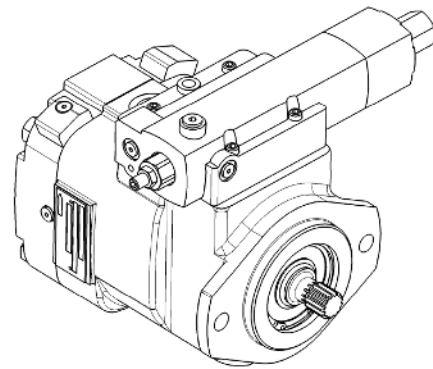
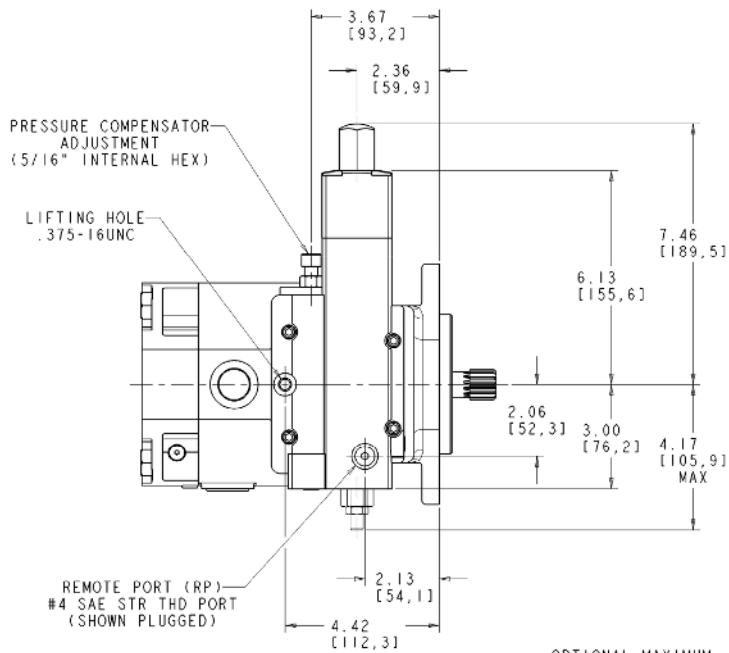


**HYDRAULIC CIRCUIT**



FOR BASIC PUMP DIMENSIONS SEE PLANOGRAPHS:  
DS-47483, DS-47484, DS-47485

520012-207