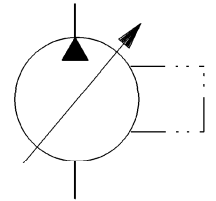
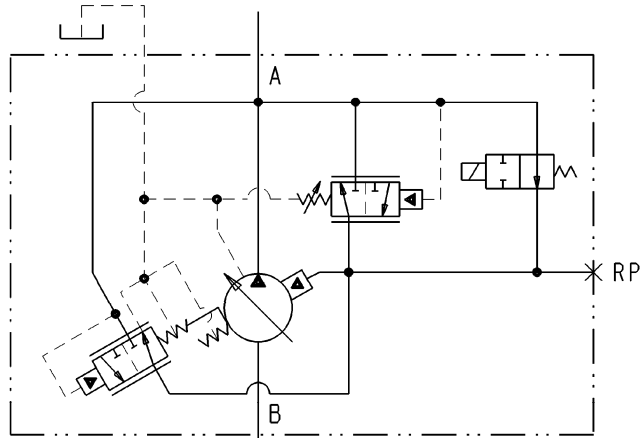


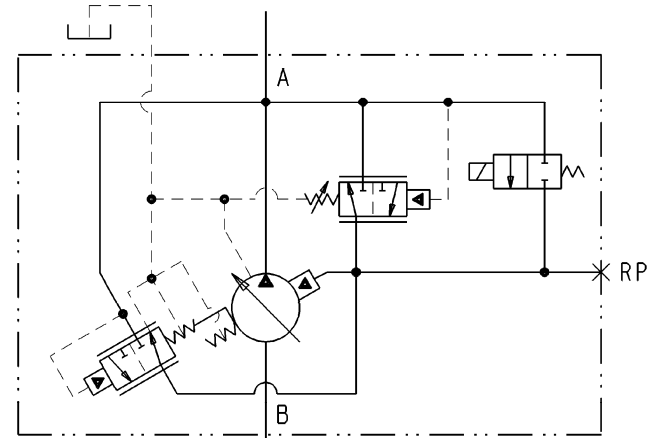
P-C--/H & P-K--/H CONTROLS



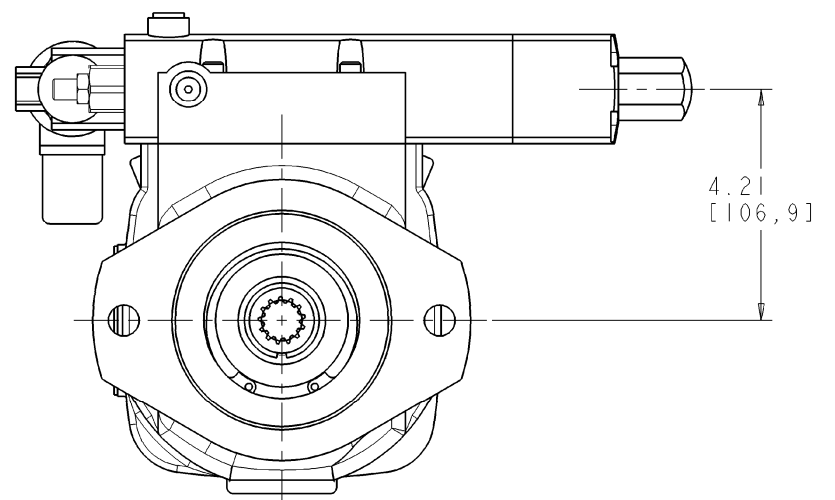
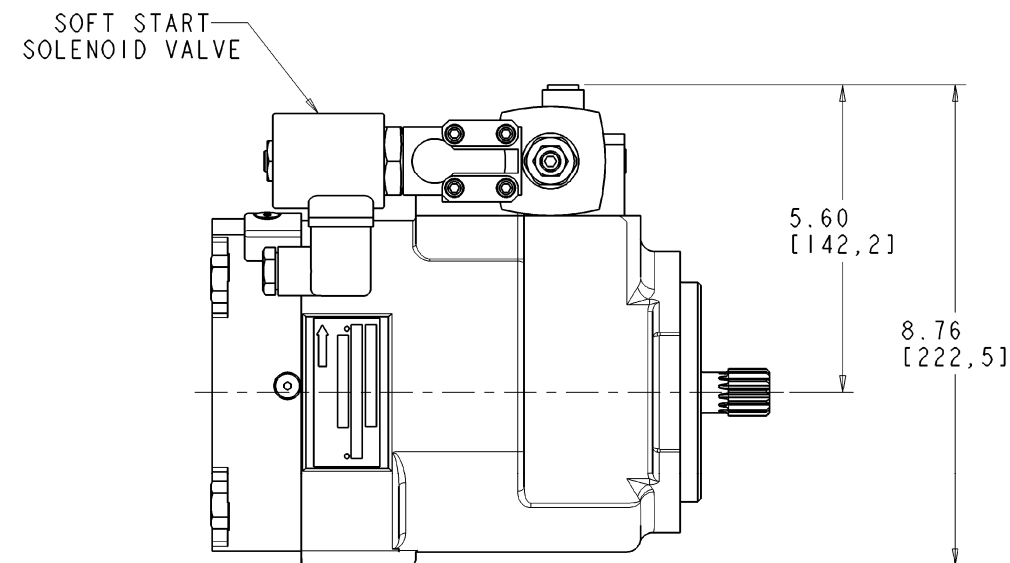
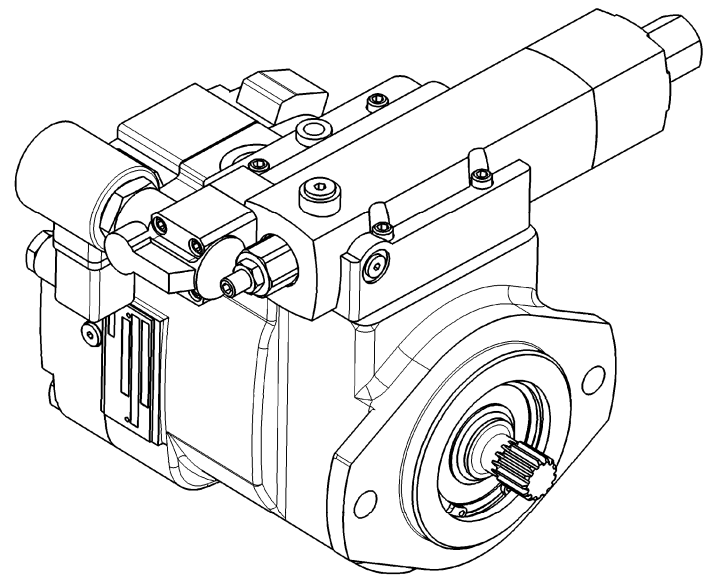
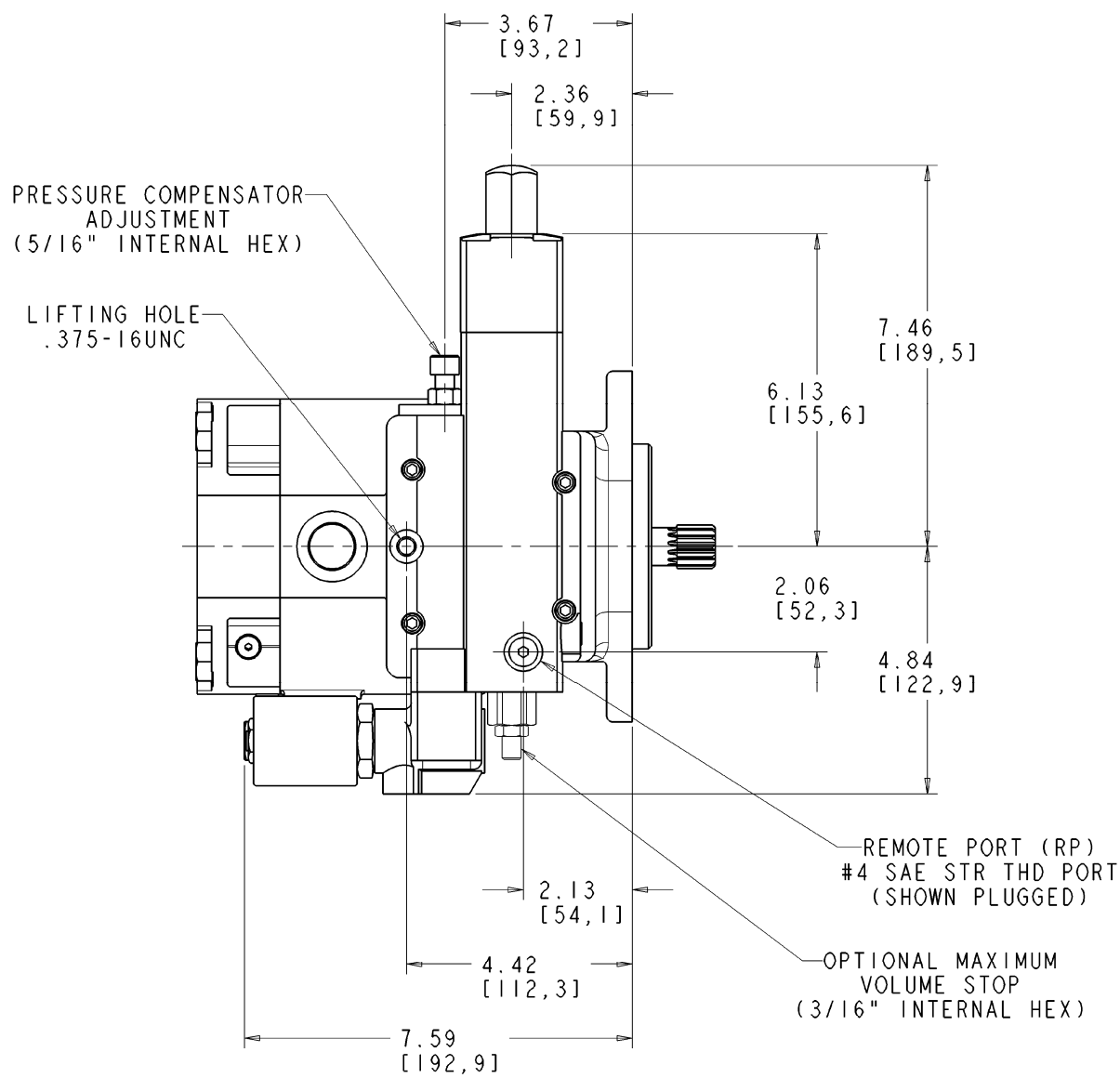
Installation Drawing Single Pressure Comp. w/Soft Start & Horsepower Limiter Control (B Frame)



P-C--/H (N.O.) CONTROL



P-K--/H (N.C.) CONTROL



FOR BASIC PUMP DIMENSIONS SEE PLANOGRAPHS:
DS-47483, DS-47484, DS-47485

520012-210

Telephone: (414) 327-1700
Fax: (414) 327-0532

OILGEAR
2300 So. 51st Street
Milwaukee, WI USA 53219

Issued: June, 2009
DS-48118