

OILGEAR SPECIAL TYPE "DM" VARIABLE DELIVERY PUMPS

SPECIAL MULTI-POSITION CONTROL (SIZES 35 & 60)



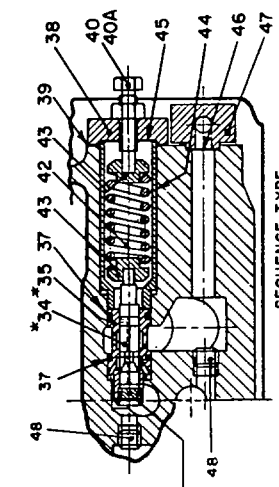
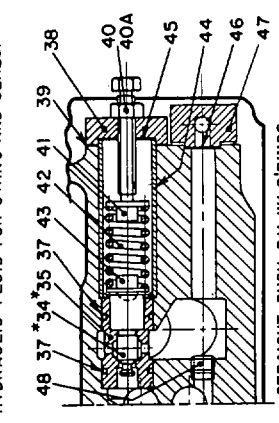
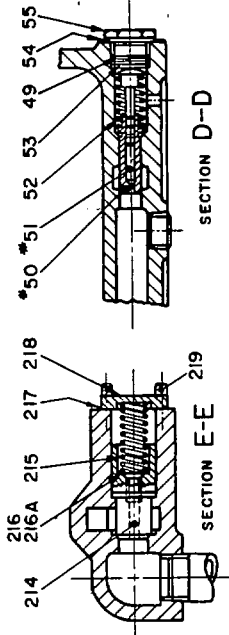
LITHO IN U.S.A. 501764 - A

NOTE: WHEN ORDERING PARTS, BE SURE TO INCLUDE SERIAL NUMBER, PART NUMBER AND DATA SHEET NUMBER. SPECIFY TYPE HYDRAULIC FLUID FOR O-RING AND SEALS.

NOTE: PUMPS WITH SEQUENCE TYPE RELIEF VALVE, PART NUMBERS 34 & 35, A, B, C FURNISHED AS AN ASSEMBLY.

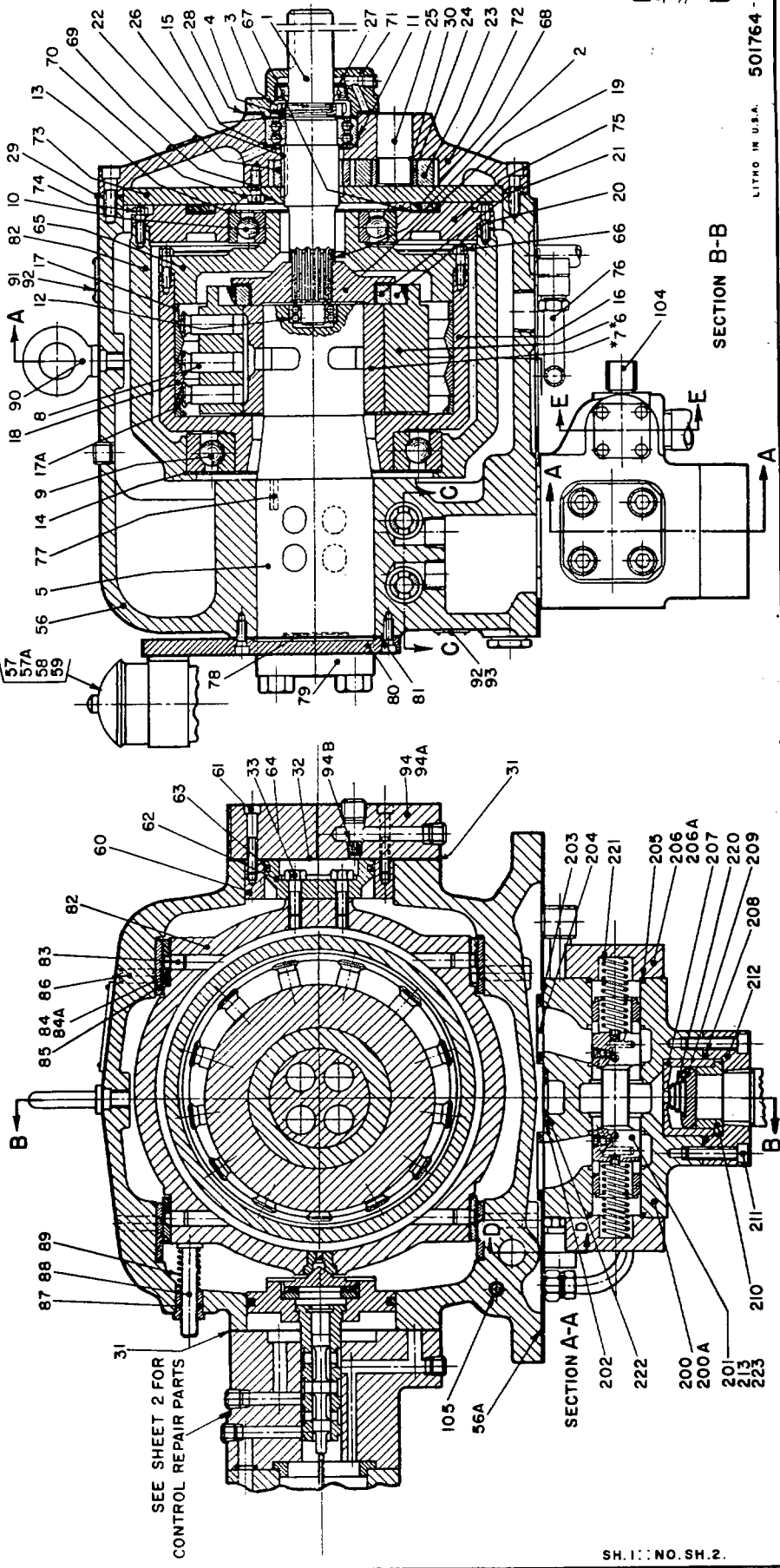
COOLER INSTALLATION DRAWING: DS-47903.
COOLER CIRCUIT DRAWING : DS-947906

SH. 1. NO. SH. 2.
OILGEAR TYPE "DM" PUMPS
DR. CHITTE
APPROX. 501764



SECTION C-C
STRAIGHT BUSH, R.V. W/ O-RINGS.

SECTION C-C
SEQUENCE TYPE



SECTION B-B

SECTION A-A

SECTION C-C

SEE SHEET 2 FOR CONTROL REPAIR PARTS

REISSUED OCT. 1961

THE OILGEAR COMPANY
MILWAUKEE 4, WISCONSIN, U.S.A.

SH. 1. NO. SH. 2.
DS-947282-A

PARTS LIST
OILGEAR SPECIAL TYPE "DM" PUMPS
SIZES 35 and 60

SYMBOL NO.	DESCRIPTION	SYMBOL NO.	DESCRIPTION	SYMBOL NO.	DESCRIPTION
1.	Shaft, Drive	41.	Guide, Spring	83.	Pin, Dowel
2.	Spacer, Coupling	42.	Spring, H. P. R. V.	84.	Liner, Slideblock
3.	Nut, Lock	43.	Guide, Spring	84A.	Shims, Liner
4.	Washer, Lock	44.	Retainer, Bushing	85.	Liner, Case
5.	Pintle	45.	Shims, Retainer	86.	Pin, Dowel
*6.	Cylinder	46.	Gasket, Aux. Port	87.	Bushing, Indicator
*7.	Bushing, Cylinder	47.	Cap, Aux. Port	88.	Stem, Indicator
8.	Piston, Radial	48.	Plug, Pipe	89.	Spring, Indicator
9.	Bearing, Rear Rotor	49.	Spacer, G.P.R.V.	90.	Eyebolt
10.	Bearing, Front Rotor	*50.	Plunger, Dashpot	91.	Plate, Name
11.	Bearing, Frt.Dr.Shaft	*51.	Plunger, G.P.R.V.	92.	Screw, Drive
12.	Bearing, Rear Dr.Shaft	52.	Spring, G.P.R.V.	93.	Plate, Name
13.	Shims, Frt. Rotor Brg.	53.	Shims, G.P.R.V.	94.	Cover, Control Cyl.
14.	Shims, Rear Rotor Brg.	54.	Gasket, G.P.R.V. Cap	94A.	Screw, Sock. Hd. Cap
15.	Shims, Frt.Dr.Shaft Brg.	55.	Cap, G.P.R.V.	94B.	Plug, Orifice
16.	Rotor	56.	Case, Pump	104.	Tubing, W/Fittings
17.	Ring, Spacer	56A.	Gasket, Pump Mtg.	*105.	Plug, Orifice (Port 50)
17A.	Ring, Spacer	57.	Assembly, Oil Filter		
18.	Ring, Thrust	57A.	Element, Filter	200.	Body, Suction Valve
19.	Flange, Coupling	58.	Valve, Flow Control	200A.	Screw, Sock. Hd. Cap
20.	Roller, Coupling	59.	Gage, Filter	201.	Plunger, Suction Valve
21.	Ring, Coupling	60.	Adapter, Control Piston	202.	Packing, O'Ring
22.	Gear, G.P. Driving	61.	Screw, Ctrl. Pstn. Adptr.	203.	Packing, O'Ring
23.	Gear, G.P. Driven	62.	Piston, Control	204.	Retainer, O'Ring
24.	Bearing, Roller	63.	Ring, Piston	205.	Packing, O'Ring
25.	Shaft, Stub	64.	Screw, Control Piston	206.	Flange, Plunger
26.	Key, Drive Shaft	65.	Head, Rotor	206A.	Screw, Sock. Hd. Cap
27.	Seal, Oil	66.	Screw, Rotor Head	207.	Cage, Check Valve
28.	Gasket, Front Cover	67.	Shims, Slideblock Cover	208.	Packing, O'Ring
29.	Gasket, G.P. Housing	68.	Ring, Slideblock Spacer	209.	Disc, Check Valve
30.	Spacer, Bearing	69.	Screw, G.P. Cover	210.	Seat, Check Valve
31.	Gasket, Control Mtg.	70.	Gasket, G.P. Cover Screw	211.	Screw, Sock. Hd. Cap
32.	Gasket, Control Adapt.	71.	Housing, Oil Seal	212.	Flange, Suction
33.	Gasket, Piston Screw	72.	Housing, Gear Pump	213.	Plug, Orifice
*34.	Plunger, H.P.R.V.	73.	Cover, Gear Pump	214.	Plunger, B.P.R.V.
*35.	Bushing, H.P.R.V.	74.	Screw, Slideblock Cover	215.	Spring, B.P.R.V.
35A.	Plug, Bushing	75.	Cover, Slideblock End	216.	Shim, B.P.R.V.
35B.	Packing, O'Ring	76.	Tubing, W/Fittings	216A.	Shim, Washer
35C.	Ring, Retaining	77.	Key, Pintle	217.	Gasket, B.P.R.V.
37.	Packing, O'Ring	78.	Gasket, Flange	218.	Flange, B.P.R.V.
38.	Cap, H.P.R.V.	79.	Flange, Pipe	219.	Screw, Sock. Hd. Cap
39.	Gasket, H.P.R.V. Cap	80.	Cover, Pintle End	220.	Spring, Check Valve
40.	Screw, H.P.R.V. Adj.	81.	Gasket, Pintle Cover	221.	Spring, Plunger
40A.	Nut, Adj. Screw Lock	82.	Slideblock	222.	Retainer, O'Ring
				223.	Plug, Pipe

* (Prefix) Items 6 & 7, 34 & 35, 50 & 51, furnished as an assembly only.

*105. Applicable to size 35 Units only.

NOTE: When ordering replacement parts, be sure to include pump serial number, symbol number and Data Sheet (DS) number. Specify type of hydraulic fluid for O'Rings and seals.

O ' R I N G S I Z E S

SYMBOL NO.	PUMP SIZE	CROSS SECTION	x	I.D.	x	O.D.	x	DURO ± 5
35B.	60	3/32	x	5/8	x	13/16	x	70
37.	35	1/8	x	1-1/2	x	1-3/4	x	70
	60	1/8	x	1-5/8	x	1-7/8	x	70
202.	35	3/16	x	3-1/2	x	3-7/8	x	70
	50	3/16	x	3-1/4	x	3-5/8	x	70
203.	35	3/16	x	2-1/2	x	2-7/8	x	90
	60	3/16	x	3-1/4	x	3-5/8	x	90
205.	35	1/8	x	2-1/8	x	2-3/8	x	90
	60	1/8	x	2-3/4	x	3	x	90
208.	35	3/16	x	3-1/4	x	3-5/8	x	90
	60	3/16	x	4	x	4-3/8	x	90