

PARTS LIST
OILGEAR TYPE "DMP" PUMPS SIZES 8 THRU 60

Part No.	Description	Part No.	Description	Part No.	Description
1.	Shaft, Drive	42.	Spring, H. P. R. V.	84.	Liner, Slideblock
2.	Spacer, Coupling	43.	Guide, Spring	84A.	Shims, Liner
3.	Nut, Lock	44.	Retainer, Bushing	85.	Liner, Case
4.	Washer, Lock	45.	Shims, Retainer	86.	Pin, Dowel
5.	Pintle	46.	Gasket, Aux. Port	87.	Bushing, Indicator
*6.	Cylinder	47.	Cap, Aux. Port	88.	Stem, Indicator
*7.	Bushing, Cylinder	48.	Plug, Pipe	89.	Spring, Indicator
8.	Piston, Radial	49.	Spacer, G. P. R. V.	90.	Eyebolt
9.	Bearing, Rear Rotor	*50.	Plunger, Dashpot	91.	Plate, Name
10.	Bearing, Front Rotor	*51.	Plunger, G. P. R. V.	92.	Screw, Drive
11.	Bearing, Frt. Dr. Shaft	52.	Spring, G. P. R. V.	93.	Plate, Name
12.	Bearing, Rear Dr. Shaft	53.	Shims, G. P. R. V.	104.	Tubing, W/Fittings
13.	Shims, Frt. Rotor Brg.	54.	Gasket, G. P. R. V. Cap	†105.	Plug, Orifice (Port 50)
14.	Shims, Rear Rotor Brg.	55.	Cap, G. P. R. V.		
15.	Shims, Frt. Dr. Shaft Brg.	56.	Case, Pump	200.	Body, Suction Valve
16.	Rotor	56A.	Gasket, Pump Mtg.	200A.	Screw, Sock. Hd. Cap
17.	Ring, Spacer	57.	Assembly, Oil Filter	201.	Plunger, Suction Valve
17A.	Ring, Spacer	57A.	Element, Filter	202.	Seal, O'Ring
18.	Ring, Thrust	58.	Valve, Flow Control	203.	Seal, O'Ring
19.	Flange, Coupling	59.	Gage, Filter	**203A.	Gasket
20.	Roller, Coupling	60.	Adapter, Control Piston	204.	Retainer, O'Ring
21.	Ring, Coupling	61.	Screw, Ctrl. Pstn. Adptr.	205.	Seal, O'Ring
22.	Gear, G. P. Driving	62.	Piston, Control	206.	Flange, Plunger
23.	Gear, G. P. Driven	63.	Ring, Piston	206A.	Screw, Sock. Hd. Cap
24.	Bearing, Roller	64.	Screw, Control Piston	207.	Cage, Check Valve
25.	Shaft, Stub	65.	Head, Rotor	208.	Seal, O'Ring
26.	Key, Drive Shaft	66.	Screw, Rotor Head	**208A.	Gasket
27.	Seal, Oil	67.	Shims, Slideblock Cover	209.	Disc, Check Valve
28.	Gasket, Front Cover	68.	Ring, Slideblock Spacer	210.	Seat, Check Valve
29.	Gasket, G. P. Housing	69.	Screw, G. P. Cover	211.	Screw, Sock. Hd. Cap
30.	Spacer, Bearing	70.	Gasket, G. P. Cover Screw	212.	Flange, Suction
31.	Gasket, Control Mtg.	71.	Housing, Oil Seal	213.	Plug, Orifice
32.	Gasket, Control Adapt.	72.	Housing, Gear Pump	214.	Plunger, B. P. R. V.
33.	Gasket, Piston Screw	73.	Cover, Gear Pump	215.	Spring, B. P. R. V.
*34.	Plunger, H. P. R. V.	74.	Screw, Slideblock Cover	216.	Shim, B. P. R. V.
*35.	Bushing, H. P. R. V.	75.	Cover, Slideblock End	216A.	Shim, Washer
35A.	Plug, Bushing	76.	Tubing, W/Fittings	217.	Gasket, B. P. R. V.
35B.	Seal, O'Ring	77.	Key, Pintle	218.	Flange, B. P. R. V.
35C.	Ring, Retaining	78.	Gasket, Flange	219.	Screw, Sock. Hd. Cap
37.	Seal, O'Ring	79.	Flange, Pipe	220.	Spring, Check Valve
38.	Cap, H. P. R. V.	80.	Cover, Pintle End	221.	Spring, Plunger
39.	Gasket, H. P. R. V. Cap	81.	Gasket, Pintle Cover	222.	Retainer, O'Ring
40.	Screw, H. P. R. V. Adj.	82.	Slideblock	223.	Plug, Pipe
40A.	Nut, Adj. Screw Lock	83.	Pin, Dowel		
41.	Guide, Spring				

Note: * Part numbers 6 & 7, 34 & 35, 50 & 51 are furnished only as assemblies. ** Applicable to size 12 and 20 units only. † Applicable to size 35 units only. When ordering replacement parts be sure to include pump serial number, part number and data sheet number. Specify type of hydraulic fluid for O'Rings, packings and seals.

O'RING SIZES

Part No.	Pump Size	Cross Section	x	I.D.	x	O.D.	Duro ± 5
35B.	60	3/32	x	5/8	x	13/16	70
37.	8 & 12	3/32	x	11/16	x	1-1/16	70
	20 & 35	1/8	x	1-1/2	x	1-3/4	70
	60	1/8	x	1-5/8	x	1-7/8	70
202.	12	1/8	x	1-3/8	x	1-5/8	90
	20	1/8	x	1-3/4	x	2	90
	35	3/16	x	3-1/2	x	3-7/8	70
	60	3/16	x	3-1/4	x	3-5/8	70
203.	35	3/16	x	2-1/2	x	2-7/8	90
	60	3/16	x	3-1/4	x	3-5/8	90
205.	35	1/8	x	2-1/8	x	2-3/8	90
	60	1/8	x	2-3/4	x	3	90
208.	35	3/16	x	3-1/4	x	3-5/8	90
	60	3/16	x	4	x	4-3/8	90

OILGEAR REMOTE "DMP" TWO-WAY VARIABLE DELIVERY PUMPS

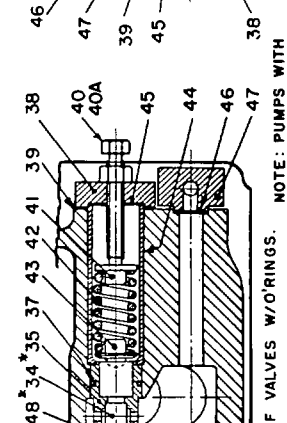
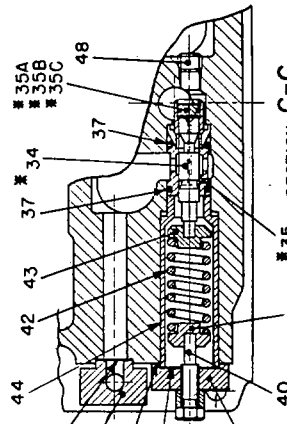
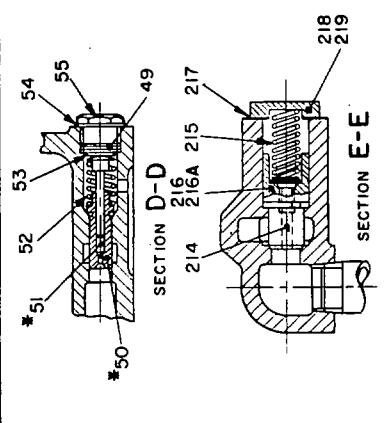
SIZES 8 THRU 60



129109	PARTS DRAWING
SJM PUMP "DMP"	OILGEAR TYPE "DMP"
TR.	CH. <i>Mc</i>
DR. RCB	REV. 1
APPROV.	DATE

PUMP INSTALLATION DRAWING : DS-47286
 COOLER INSTALLATION DRAWING : DS-47905
 COOLER CIRCUIT DRAWING : DS-947906

NOTE: WHEN ORDERING PARTS, BE SURE TO INCLUDE SERIAL NUMBER, PART NUMBER AND DATA SHEET NUMBER. SPECIFY TYPE HYDRAULIC FLUID FOR O-RINGS AND SEALS.

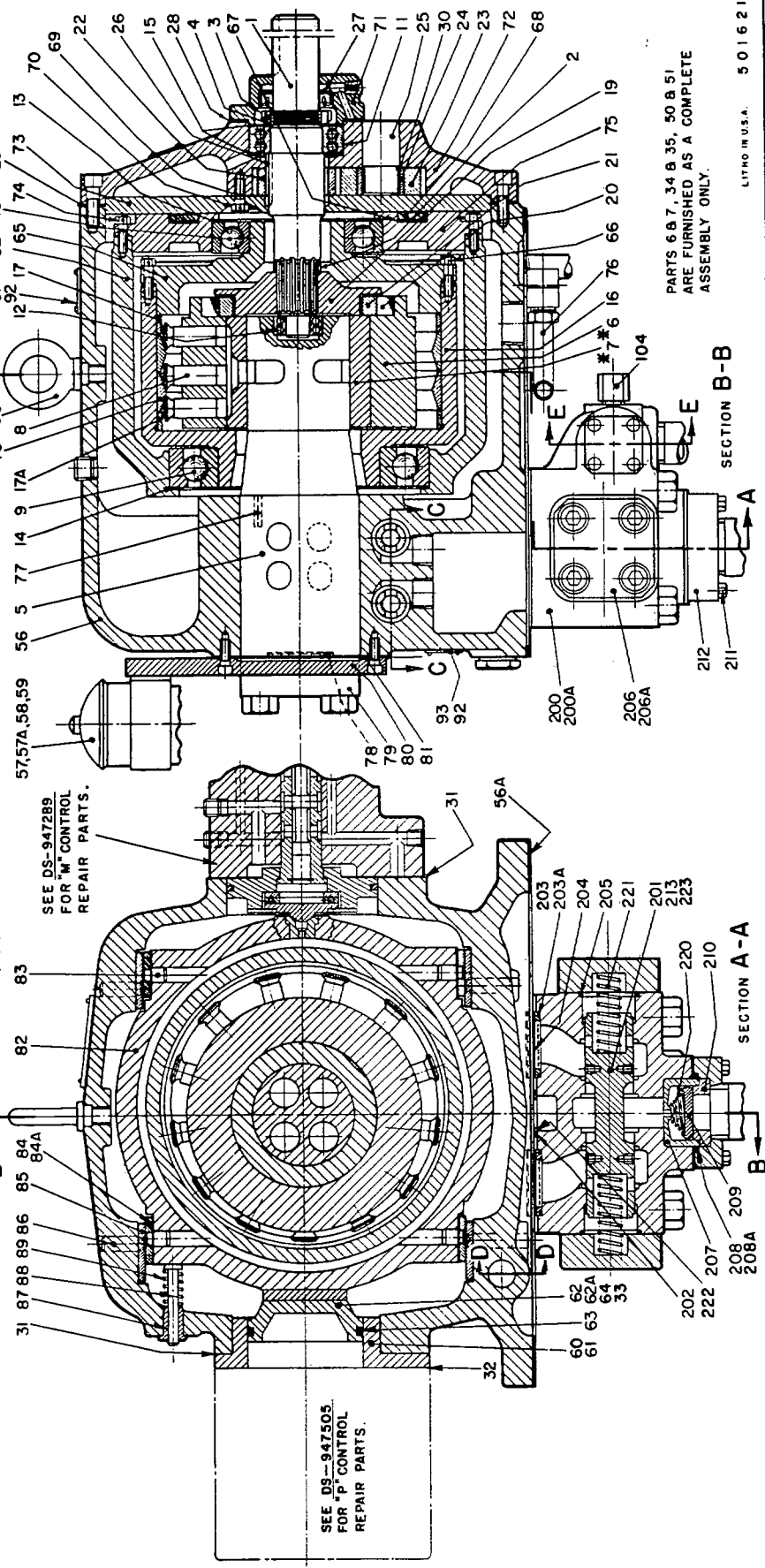


NOTE: PUMPS WITH SEQUENCE TYPE RELIEF VALVE, PART No. 34 B, 35, A, B, C FURNISHED AS AN ASSEMBLY ONLY.

NOTE: PUMPS WITH STRAIGHT BUSHING RELIEF VALVES W/O RINGS.

SEE DS-947289 FOR "P" CONTROL REPAIR PARTS.

SEE DS-947505 FOR "P" CONTROL REPAIR PARTS.



PARTS 6 B 7, 34 B 35, 50 B 51 ARE FURNISHED AS A COMPLETE ASSEMBLY ONLY.

LITHO IN U.S.A. 501621

ISSUED: AUG. 1961

THE OILGEAR COMPANY
MILWAUKEE 4, WISCONSIN, U.S.A.

DS-947286

PARTS LIST
OILGEAR REMOTE TYPE "DMP" PUMPS SIZES 8 THRU 60

Part No.	Description	Part No.	Description	Part No.	Description
1.	Shaft, Drive	42.	Spring, H. P. R. V.	84.	Liner, Slideblock
2.	Spacer, Coupling	43.	Guide, Spring	84A.	Shims, Liner
3.	Nut, Lock	44.	Retainer, Bushing	85.	Liner, Case
4.	Washer, Lock	45.	Shims, Retainer	86.	Pin, Dowel
5.	Pintle	46.	Gasket, Aux. Port	87.	Bushing, Indicator
*6.	Cylinder	47.	Cap, Aux. Port	88.	Stem, Indicator
*7.	Bushing, Cylinder	48.	Plug, Pipe	89.	Spring, Indicator
8.	Piston, Radial	49.	Spacer, G. P. R. V.	90.	Eyebolt
9.	Bearing, Rear Rotor	*50.	Plunger, Dashpot	91.	Plate, Name
10.	Bearing, Front Rotor	*51.	Plunger, G. P. R. V.	92.	Screw, Drive
11.	Bearing, Frt. Dr. Shaft	52.	Spring, G. P. R. V.	93.	Plate, Name
12.	Bearing, Rear Dr. Shaft	53.	Shims, G. P. R. V.	104.	Tubing, W/Fittings
13.	Shims, Frt. Rotor Brg.	54.	Gasket, G. P. R. V. Cap	†105.	Plug, Orifice (Port 50)
14.	Shims, Rear Rotor Brg.	55.	Cap, G. P. R. V.		
15.	Shims, Frt. Dr. Shaft Brg.	56.	Case, Pump		
16.	Rotor	56A.	Gasket, Pump Mtg.	200.	Body, Suction Valve
17.	Ring, Spacer	57.	Assembly, Oil Filter	200A.	Screw, Sock. Hd. Cap
17A.	Ring, Spacer	57A.	Element, Filter	201.	Plunger, Suction Valve
18.	Ring, Thrust	58.	Valve, Flow Control	202.	Seal, O'Ring
19.	Flange, Coupling	59.	Gage, Filter	203.	Seal, O'Ring
20.	Roller, Coupling	60.	Adapter, Control Piston	**203A.	Gasket
21.	Ring, Coupling	61.	Screw, Ctrl. Pstn. Adptr.	204.	Retainer, O'Ring
22.	Gear, G. P. Driving	62.	Piston, Control	205.	Seal, O'Ring
23.	Gear, G. P. Driven	63.	Ring, Piston	206.	Flange, Plunger
24.	Bearing, Roller	64.	Screw, Control Piston	206A.	Screw, Sock. Hd. Cap
25.	Shaft, Stub	65.	Head, Rotor	207.	Cage, Check Valve
26.	Key, Drive Shaft	66.	Screw, Rotor Head	208.	Seal, O'Ring
27.	Seal, Oil	67.	Shims, Slideblock Cover	**208A.	Gasket
28.	Gasket, Front Cover	68.	Ring, Slideblock Spacer	209.	Disc, Check Valve
29.	Gasket, G. P. Housing	69.	Screw, G. P. Cover	210.	Seat, Check Valve
30.	Spacer, Bearing	70.	Gasket, G. P. Cover Screw	211.	Screw, Sock. Hd. Cap
31.	Gasket, Control Mtg.	71.	Housing, Oil Seal	212.	Flange, Suction
32.	Gasket, Control Adapt.	72.	Housing, Gear Pump	213.	Plug, Orifice
33.	Gasket, Piston Screw	73.	Cover, Gear Pump	214.	Plunger, B. P. R. V.
*34.	Plunger, H. P. R. V.	74.	Screw, Slideblock Cover	215.	Spring, B. P. R. V.
*35.	Bushing, H. P. R. V.	75.	Cover, Slideblock End	216.	Shim, B. P. R. V.
35A.	Plug, Bushing	76.	Tubing, W/Fittings	216A.	Shim, Washer
35B.	Seal, O'Ring	77.	Key, Pintle	217.	Gasket, B. P. R. V.
35C.	Ring, Retaining	78.	Gasket, Flange	218.	Flange, B. P. R. V.
37.	Seal, O'Ring	79.	Flange, Pipe	219.	Screw, Sock. Hd. Cap
38.	Cap, H. P. R. V.	80.	Cover, Pintle End	220.	Spring, Check Valve
39.	Gasket, H. P. R. V. Cap	81.	Gasket, Pintle Cover	221.	Spring, Plunger
40.	Screw, H. P. R. V. Adj.	82.	Slideblock	222.	Retainer, O'Ring
40A.	Nut, Adj. Screw Lock	83.	Pin, Dowel	223.	Plug, Pipe
41.	Guide, Spring				

Note: * Part numbers 6 & 7, 34 & 35, 50 & 51 are furnished only as assemblies. ** Applicable to size 12 and 20 units only. † Applicable to size 35 units only. When ordering replacement parts be sure to include pump serial number, part number and data sheet number. Specify type of hydraulic fluid for O'Rings, packings and seals.

O R I N G S I Z E S

Part No.	Pump Size	Cross Section	x	I. D.	x	O. D.	Duro ± 5
35B.	60	3/32	x	5/8	x	13/16	70
37.	8 & 12	3/32	x	11/16	x	1-1/16	70
	20 & 35	1/8	x	1-1/2	x	1-3/4	70
202.	60	1/8	x	1-5/8	x	1-7/8	70
	12	1/8	x	1-3/8	x	1-5/8	90
	20	1/8	x	1-3/4	x	2	90
	35	3/16	x	3-1/2	x	3-7/8	70
	60	3/16	x	3-1/4	x	3-5/8	70
203.	35	3/16	x	2-1/2	x	2-7/8	90
	60	3/16	x	3-1/4	x	3-5/8	90
205.	35	1/8	x	2-1/8	x	2-3/8	90
	60	1/8	x	2-3/4	x	3	90
208.	35	3/16	x	3-1/4	x	3-5/8	90
	60	3/16	x	4	x	4-3/8	90