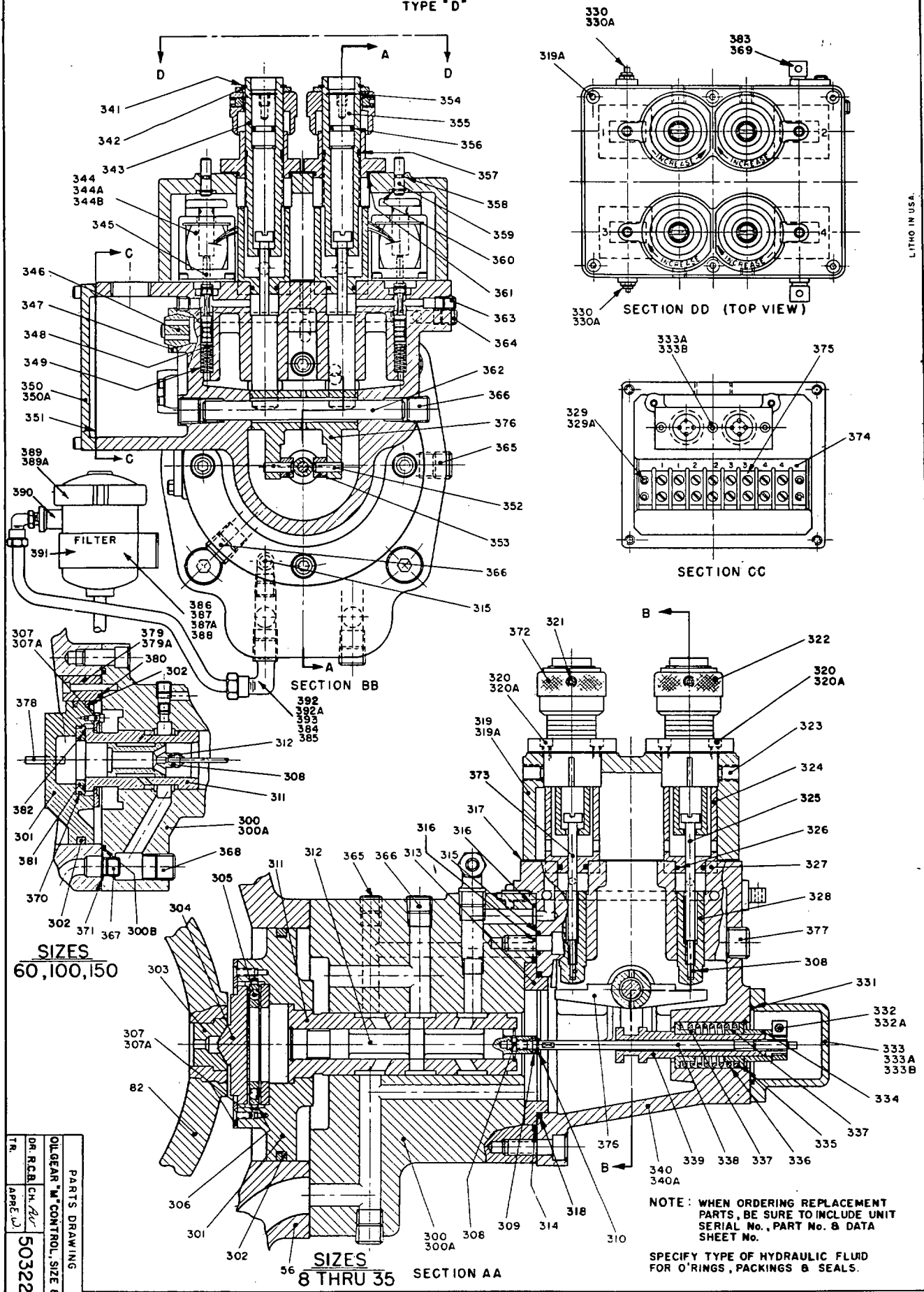


OILGEAR TYPE "M" CONTROLS FOR VARIABLE DISPLACEMENT PUMPS

SIZES 8 THRU 35 & 60 THRU 150

TYPE "D"



SIZES
60, 100, 150

SIZES
8 THRU 35

NOTE: WHEN ORDERING REPLACEMENT PARTS, BE SURE TO INCLUDE UNIT SERIAL No., PART No. & DATA SHEET No.

SPECIFY TYPE OF HYDRAULIC FLUID FOR O-RINGS, PACKINGS & SEALS.

TR.	DR. RCB	CH. RCB	APR 61
PARTS DRAWING			
OILGEAR "M" CONTROL, SIZE 8-150			
503222			

ISSUED: AUG., 1961

THE OILGEAR COMPANY
MILWAUKEE 4, WISCONSIN U.S.A.

DS-947289

LITHO IN U.S.A.

PARTS LIST
OILGEAR TYPE "M" CONTROLS
FOR TYPE "D" PUMPS

Part No.	Description	Part No.	Description	Part No.	Description
300.	Housing, Force Amp.	331.	Seal, O'Ring	361.	Seal, O'Ring
300A.	Screw, Sock. Hd. Cap	332.	Clamp, Collar Conn. Rod.	362.	Shaft, Stroke Lever
†300B.	Seal, O'Ring	332A.	Screw, Sock. Hd. Cap	363.	Plug, Pipe 1/16"
301.	Piston, Control	333.	Cover, Housing	364.	Plug, Pipe 1/8"
302.	Ring, Piston	333A.	Screw, Sock. Hd. Cap	365.	Plug, Pipe 1/4"
#303.	Cup, Thrust	333B.	Washer, Lock	366.	Plug, Pipe 3/8"
#304.	Plate, Thrust	334.	Spacer, Conn. Rod	*367.	Plug, Pipe
#305.	Bearing, Thrust	335.	Ring, Retaining	†368.	Plug, Pipe
#306.	Ring, Retaining	336.	Spring, Conn. Rod	369.	Seal, Dyna 5/16"
307.	Plate, Retaining	337.	Guide, Spring	†370.	Seal, O'Ring
307A.	Screw, Flat Hd. Mach.	338.	Stem, Conn. Rod	†371.	Seal, O'Ring
308.	Pin, Roll	339.	Sleeve, Conn. Rod	372.	Knob, Preset (C. W. Inc.)
309.	Spacer, Plunger	340.	Housing, Control	373.	Screw, C. W. Stroke Adj.
310.	Ring, Retaining	340A.	Screw, Sock. Hd. Cap	374.	Marker, Terminal Strip
311.	Bushing, Plunger	341.	Ring, Retaining	375.	Strip, Terminal
312.	Plunger, Amplifier	342.	Spacer	376.	Lever, Stroking
313.	Adapter, Control	343.	Screw, Preset	377.	Plug, Pipe 1/2"
314.	Seal, O'Ring	344.	Solenoid	378.	Pin, Dowel
315.	Seal, O'Ring	344A.	Screw, Sock. Hd. Cap	*379.	Adapter, Control Piston
316.	Seal, O'Ring	344B.	Washer, Lock	*379A.	Screw, Sock. Hd. Cap
317.	Gasket, Control Cover	345.	Pin, Solenoid	*380.	Seal, O'Ring
318.	Seal, O'Ring	346.	Plug, Wire Retainer	*†381.	Plate, Spacer
319.	Cover, Control	347.	Plate, Retaining	*†382.	Seal, O'Ring
319A.	Screw, Sock. Hd. Cap	348.	Plunger, Sol. Valve	383.	Needle, Check
320.	Flange, Preset Knob	349.	Spring, Solenoid	384.	Sleeve, Ermeto
321.	Screw, 1/2 Dog Hollow Set	350.	Cover, Terminal Strip	385.	Tubing, Steel
322.	Knob, Preset (C. C. W. Inc.)	350A.	Screw, Sock. Hd. Cap	386.	Bracket, Filter
323.	Screw, Flat pt. Sock. Set	351.	Gasket, Cover	387.	Screw, Sock. Hd. Cap
324.	Stop, Preset Adj.	352.	Pin, Dowel	387A.	Screw, Sock. Hd. Cap
325.	Screw(CCW) Stroke Adj.	353.	Shoe, Stroking Lever	388.	Washer, Lock
326.	Seal, O'Ring	354.	Ring, Retaining	389.	Filter
327.	Spacer	355.	Plug, Preset Knob	389A.	Element, Filter
328.	Piston, Stroke Adj. Screw	356.	Seal, O'Ring	390.	Bushing, Reducing
329.	Plate, Reinforcing	357.	Seal, O'Ring	391.	Assembly, Filter, (Comp.)
329A.	Screw, Sock. Hd. Cap	358.	Seal, O'Ring	392.	Fitting, Ermeto Elbow
330.	Needle, Choke	359.	Rod, Sol. Push	392A.	Fitting, Ermeto Elbow
330A.	Seal, Choke Needle	360.	Ring, Retaining	393.	Nut, Ermeto

NOTE: * Indicates parts applicable to fast action control, available only in size 60-100 and 150 units.
 † Indicates parts applicable to size 60-100 and 150 units without fast action controls.
 # Indicates parts applicable to size 8-12-20 and 35 units only.
 When ordering replacement parts be sure to include unit serial number, data sheet number and part number. Specify type of hydraulic fluid for O'Rings, packings and seals.

O R I N G S I Z E S
Pump sizes 8 thru 150

Part No.	Cross Section	x	I.D.	x	O.D.	Duro [±] 5
314.	1/8	x	4-1/4	x	4-1/2	90
315.	1/16	x	3/8	x	1/2	70
316.	3/32	x	9/16	x	3/4	70
318.	1/8	x	4-1/4	x	4-1/2	90
326.	1/16	x	5/8	x	3/4	70
331.	1/8	x	1-7/8	x	2-1/8	90
356.	3/32	x	7/16	x	5/8	70
357.	1/16	x	7/8	x	1	70
361.	1/16	x	1-5/16	x	1-7/16	70
	60		100		150	
†300B.	1/8 x 8-3/4 x 9	90	1/4 x 11	x 11-1/2	90	1/4 x 11-1/2 x 12 90
†370.	1/8 x 3-3/8 x 3-5/8	90	1/8 x 3-3/8 x 3-5/8	90	1/8 x 3-3/8 x 3-5/8	90
†371.	1/8 x 1-1/4 x 1-1/2	90	1/8 x 1-1/4 x 1-1/2	90	1/8 x 1-1/4 x 1-1/2	90
*380.	1/8 x 6 x 6-1/4	90	1/8 x 8-1/4 x 8-1/2	90	1/8 x 7-1/2 x 7-3/4	90
*382.	1/8 x 3 x 3-1/4	90	1/8 x 3 x 3-1/4	90	1/8 x 3 x 3-1/4	90