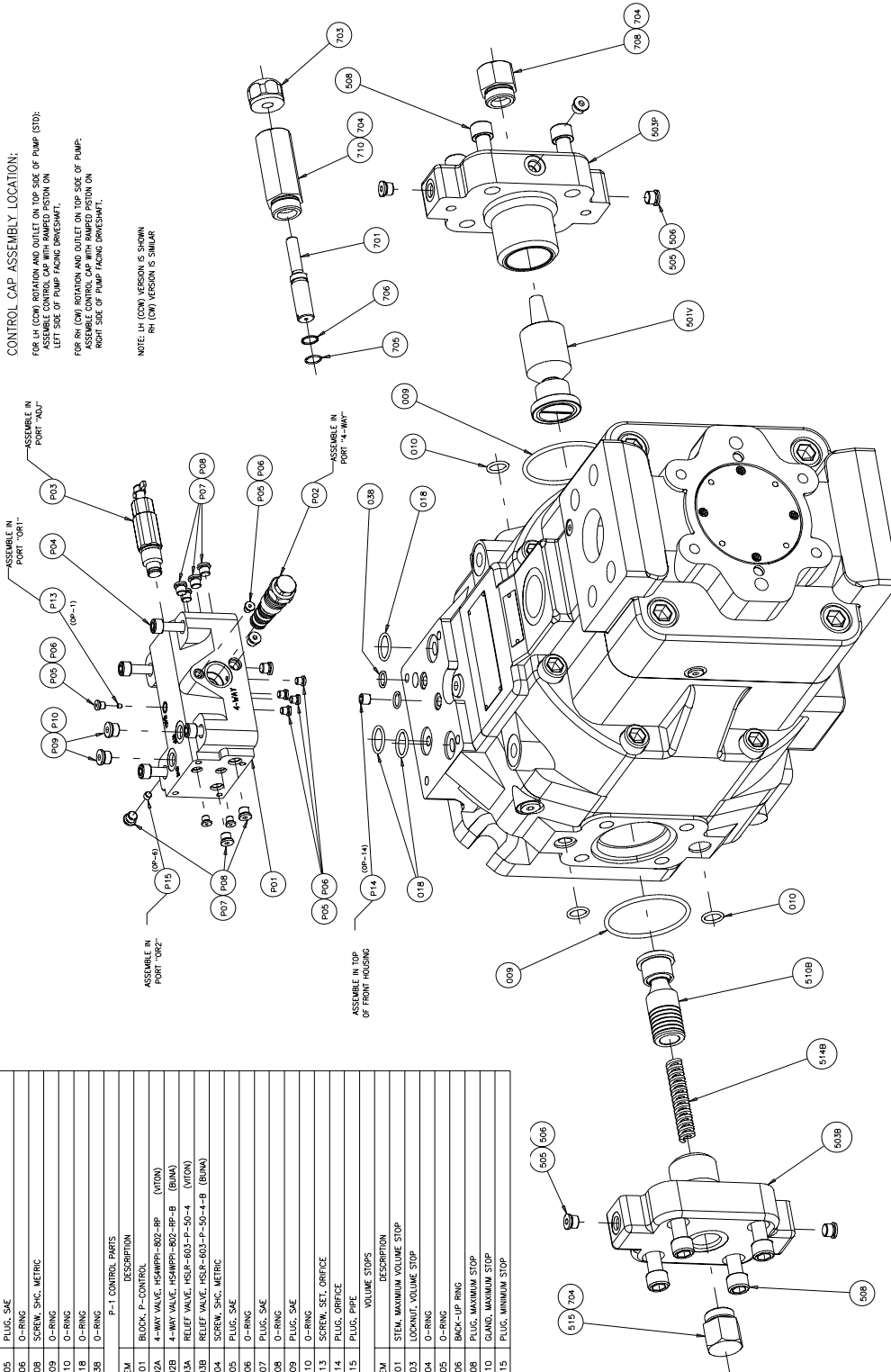


Parts Drawing

Pressure Compensator Controls

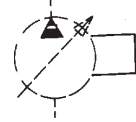
CONTROL CAP ASSEMBLY LOCATION:
FOR LH (CON) ROTATION AND OUTLET ON TOP SIDE OF PUMP (STD):
ASSEMBLE CONTROL CAP WITH RAMPED PISTON ON
LEFT SIDE OF PUMP FACING DIRECTION.
FOR RH (CON) ROTATION AND OUTLET ON TOP SIDE OF PUMP:
ASSEMBLE CONTROL CAP WITH RAMPED PISTON ON
RIGHT SIDE OF PUMP FACING DIRECTION.

NOTE: LH (CON) VERSION IS SHOWN
RH (CON) VERSION IS SIMILAR



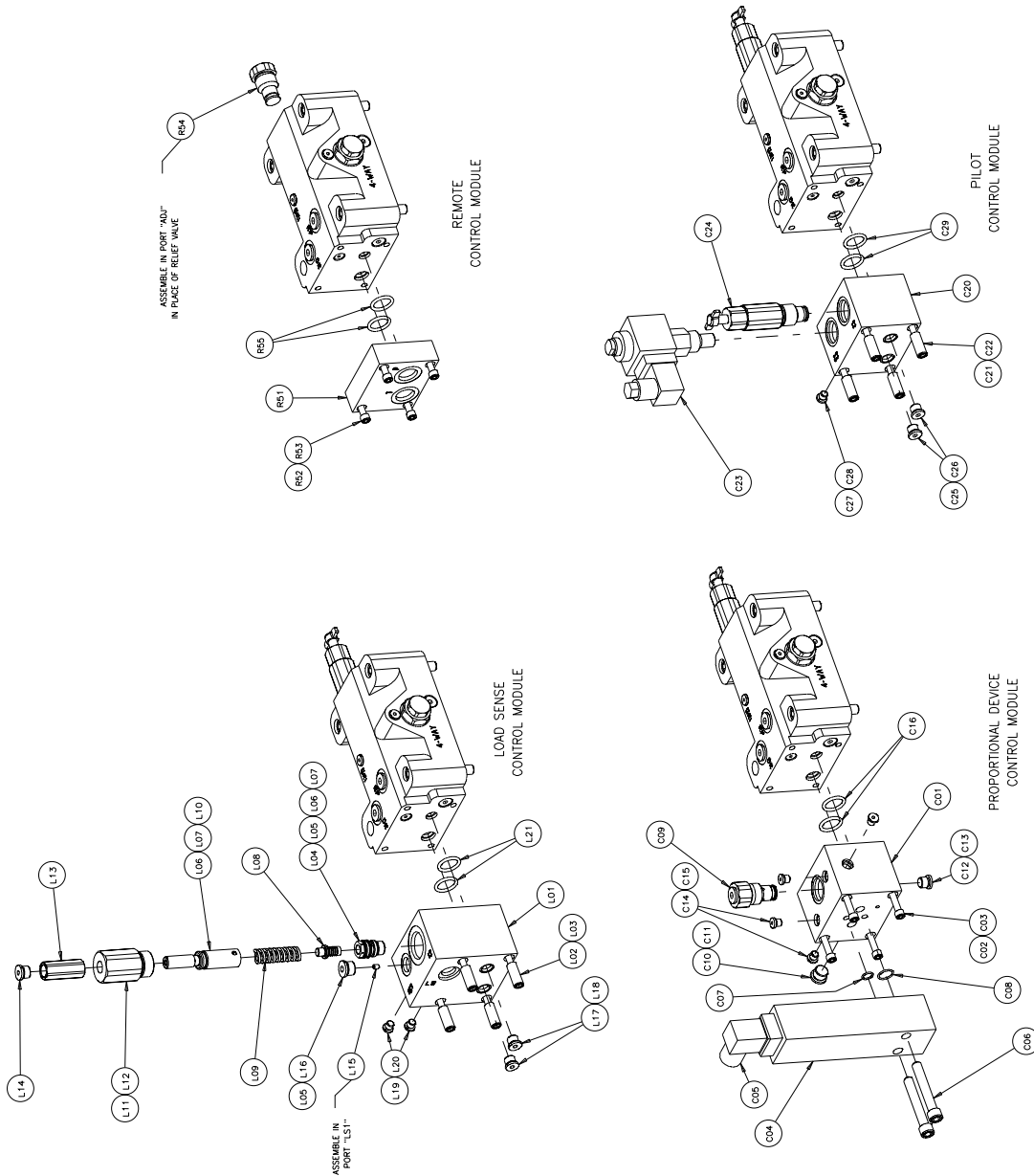
519259 sht. 1

ITEM	COMMON PARTS DESCRIPTION
501V	ASSY., CONTROL PISTON / SHOE
503P	ASSY., CONTROL CAP / SLEEVE
510B	ASSY., BAS CONTROL CAP / SLEEVE
514B	SPRING, BAS CONTROL
505	PLUG, SAE
506	O-RING
508	SCREW, SHC, METRIC
009	O-RING
010	O-RING
018	O-RING
038	O-RING
P-1 CONTROL PARTS	
ITEM	DESCRIPTION
P01	BLOCK, P-CONTROL
P02A	4-WAY VALVE, 4SMPP-802-8P (ATON)
P02B	4-WAY VALVE, 4SMPP-802-8P-B (BINA)
P03A	RELIEF VALVE, 1F5P-603-P-50-A (ATON)
P03B	RELIEF VALVE, 1F5P-603-P-50-A-B (BINA)
P04	SCREW, SHC, METRIC
P05	PLUG, SAE
P06	O-RING
P07	PLUG, SAE
P08	O-RING
P09	PLUG, SAE
P10	O-RING
P13	SCREW, SET, ORIFICE
P14	PLUG, ORIFICE
P15	PLUG, PIPE
VOLUME STOPS	
ITEM	DESCRIPTION
701	STEM, MAXIMUM VOLUME STOP
703	LOCKNUT, VOLUME STOP
704	O-RING
705	O-RING
706	BACK-UP RING
708	PLUG, MAXIMUM STOP
710	SLAND, MAXIMUM STOP
515	PLUG, MINIMUM STOP



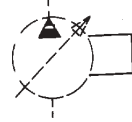
Parts Drawing

Pressure Compensator Controls



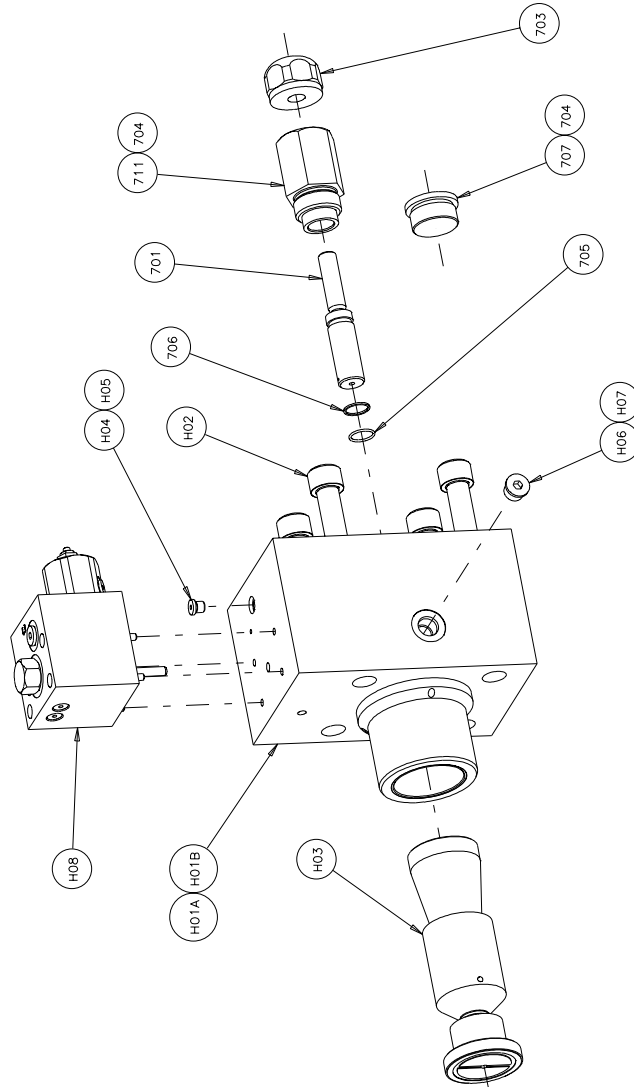
519259 sht. 2

ITEM	DESCRIPTION
LOAD SENSE PARTS	
L01	BLOCK, LOAD SENSE, POM MOUNT
L02	SCREW, STACKING
L03	WASHER, LOCK
L04	SEAL, LOAD SENSE
L05	O-RING
L06	O-RING
L07	BACK-UP RING
L08	SPOOL, LOAD SENSE
L09	SPRING, LOAD SENSE
L10	ADJUSTING SCREW, LOAD SENSE
L11	BONNET, LOAD SENSE
L12	O-RING
L13	INUT, COUPLING
L14	PLUG, SAE
L15	SCREW, SET
L16	PLUG, SAE
L17	PLUG, SAE
L18	O-RING
L19	PLUG, SAE
L20	O-RING
L21	O-RING
PROPORTIONAL DEVICE PARTS	
C01	BLOCK, CONTROL MODULE
C02	SCREW, SHC
C03	WASHER, LOCK
C04	CONVENTIONAL PRESSURE CONTROL
C05	SCREW, SHC
C06	O-RING
C07	O-RING
C08	CONTAMINATION FUSE
C09	CONTAMINATION FUSE
C10	PLUG, SAE
C11	O-RING
C12	PLUG, SAE
C13	O-RING
C14	PLUG, SAE
C15	O-RING
C16	O-RING
PILOT CONTROL PARTS	
C20	BLOCK, HSPCM61-JM-1-C-BK
C21	SCREW, STACKING
C22	WASHER, LOCK
C23	Z-WAY VALVE
C24	RELIEF VALVE, HSIR-603-P-50-4
C25	PLUG, SAE
C26	O-RING
C27	PLUG, SAE
C28	O-RING
C29	O-RING
REMOTE CONTROL PARTS	
R51	BLOCK, REMOTE CONTROL
R52	SCREW, SHC
R53	WASHER, LOCK
R54	HSPF600-000 FRIED FLOW PLUG
R55	O-RING



Parts Drawing

Pressure Compensator Controls



ITEM	DESCRIPTION
H01	ASST., CONTROL CAP / SLEEVE
H02	SCREW, SHC, METRIC
H03	ASST., CONTROL PISTON / SHOE
H04	PLUG, SAE
H05	O-RING
H06	PLUG, SAE
H07	O-RING
H08	ASST., HP LIMITER MODULE
ITEM	DESCRIPTION
701	STEM, MAXIMUM VOLUME STOP
703	LOCKNUT, VOLUME STOP
704	O-RING
705	O-RING
706	BACK-LIP RING
707	PLUG, SAE
711	GANG, MAXIMUM VOLUME STOP

519259 sht. 3