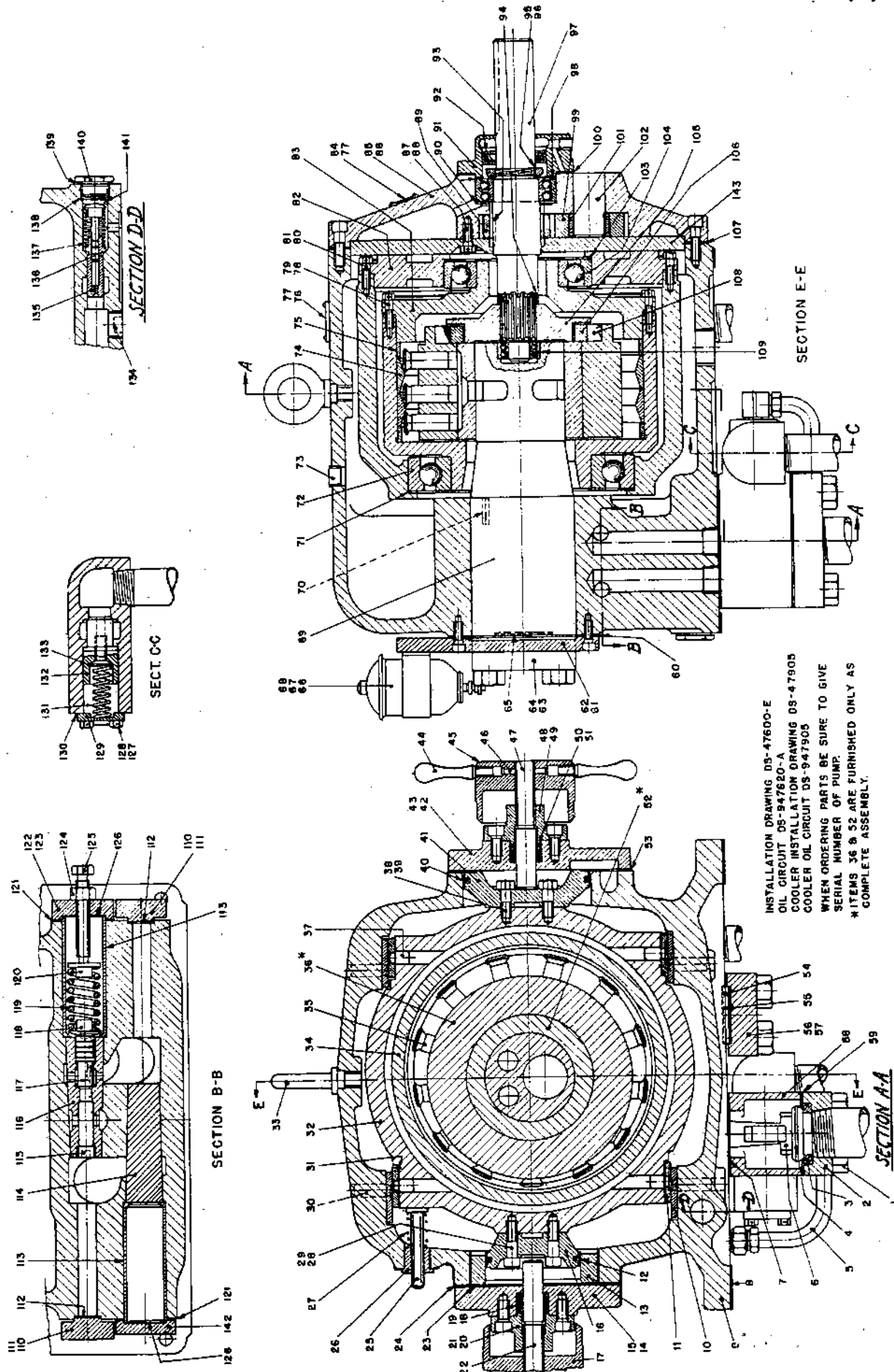


TYPE "DR" PUMPS



51723-C



PARTS DRAWING
 TYPE "DR" PUMPS
 51723-C

INSTALLATION DRAWING DS-47600-E
 OIL CIRCUIT DS-947620-A
 COOLER INSTALLATION DRAWING DS-47905
 COOLER OIL CIRCUIT DS-947905
 WHEN ORDERING PARTS BE SURE TO GIVE
 SERIAL NUMBER OF PUMP.
 *ITEMS 36 & 52 ARE FURNISHED ONLY AS
 COMPLETE ASSEMBLY.

THE OILGEAR COMPANY
 MILWAUKEE 4, WISCONSIN, U.S.A.

DS-947600-C

REISSUED JAN. 8, 1951

PARTS LIST
OILGEAR "DR" PUMPS

NO.	PARTS	NO.	PARTS	NO.	PARTS
1.	Screw, Suction Flange	49.	Screw, Gland	97.	Shaft, Drive
2.	Flange, Suction Valve	50.	Packing, Adjusting Screw	98.	Bearing, Front Shaft
3.	Seat, Check Valve	51.	Shim, Packing	99.	Gear, G.P. Driven
4.	Disc, Check Valve	52.	Bushing, Cylinder*	100.	Gasket, Oil Seal Housing
5.	Tubing, Oil	53.	Gasket, Control Cylinder	101.	Bearing, Gear Pump
6.	Cage, Check Valve	54.	Spacer, Flange	102.	Shaft, G.P. Stub
7.	Gasket, Suction Valve	55.	Gasket, Flange	103.	Shim, Front Rotor Bearing
8.	Gasket, Oil Reservoir	56.	Flange, Blind	104.	Bearing, Front Rotor
9.	Case, Pump	57.	Screw, Flange	105.	Flange, Coupling
10.	Liner, Case	58.	Body, Suction Valve	106.	Ring, Coupling
11.	Liner, Slide Block	59.	Gasket, Flange	107.	Gasket, G.P. Housing
12.	Ring, Small Control Piston	60.	Gasket, Pintle Cover	108.	Roller, Coupling
13.	Adaptor, Control Cylinder	61.	Cover, Pintle	109.	Bearing, Rear Shaft
14.	Cover, Control Cylinder	62.	Screw, Pintle Cover	110.	Flange, Blind
15.	Screw, Cover	63.	Flange, Connection	111.	Screw, Flange
16.	Piston, Small Control	64.	Bolt, Flange	112.	Gasket, Flange
17.	Knob, Control	65.	Gasket, Flange	113.	Retainer, H.P.R.V. Bushing
18.	Packing, Adjusting Screw	66.	Filter, Oil	114.	Plug, Dummy
19.	Shim, Packing	67.	Valve, Flow Control	115.	Plug, Pipe
20.	Gland, Control	68.	Gage, Change Indicator	116.	Bushing, H.P.R.V.
21.	Screw, Gland	69.	Pintle	117.	Plunger, H.P.R.V.
22.	Screw, Adjusting	70.	Key, Pintle	118.	Seat, H.P.R.V. Spring
23.	Gasket, Adapter	71.	Shim, Rear Rotor Bearing	119.	Spring, H.P.R.V.
24.	Gasket, Control Cylinder	72.	Bearing, Rear Rotor	120.	Guide, H.P.R.V. Spring
25.	Stem, Indicator	73.	Plug, Pipe	121.	Gasket, Cap
26.	Bushing, Indicator	74.	Ring, Thrust	122.	Cap, H.P.R.V.
27.	Spring, Indicator	75.	Ring, Spacer	123.	Screw, Cap
28.	Screw, Piston	76.	Nameplate	124.	Nut, Adjusting Screw Lock
29.	Gasket, Screw	77.	Screw, Drive	125.	Screw, H.P.R.V. Adjusting
30.	Dowel, Case Liner	78.	Screw, Rotor Cover	126.	Shim, Retainer
31.	Shim, Slide Block Liner	79.	Wire, Lock	127.	Screw, Cap
32.	Slide Block	80.	Screw, Slide Block Cover	128.	Wire, Lock
33.	Eyebolt	81.	Wire, Lock	129.	Cap, B.P.R.V.
34.	Rotor	82.	Cover, Slide Block	130.	Gasket, B.P.R.V. Cap
35.	Piston	83.	Cover, Rotor	131.	Spring, B.P.R.V.
36.	Cylinder*	84.	Plate, Rotation Direction	132.	Plunger, B.P.R.V.
37.	Dowel, Slide Block Liner	85.	Housing, Gear Pump	133.	Shim, B.P.R.V. Washer
38.	Screw, Piston	86.	Screw, Gear Pump Housing	134.	Plug, Pipe
39.	Gasket, Screw	87.	Screw, Gear Pump Cover	135.	Plunger, G.P.R.V.
40.	Ring, Large Control Piston	88.	Gasket, Screw	136.	Plunger, G.P.R.V. Dashpot
41.	Piston, Large Control	89.	Gear, G.P. Driver	137.	Spring, G.P.R.V.
42.	Cover, Control Cylinder	90.	Shim, Front Shaft Bearing	138.	Shim, G.P.R.V.
43.	Screw, Cover	91.	Housing, Oil Seal	139.	Gasket, G.P.R.V. Cap
44.	Handle, Control	92.	Seal, Oil	140.	Cap, G.P.R.V.
45.	Knob, Control	93.	Key, G.P. Drive	141.	Spacer, G.P.R.V.
46.	Pin, Taper	94.	Spacer, Coupling	142.	Cap, H.P.R.V. Blind
47.	Screw, Adjusting	95.	Nut, Lock	143.	Cover, Gear Pump
48.	Gland, Control	96.	Washer, Lock		

*Parts 36 and 52 furnished only as a complete assembly.

NOTE: When ordering parts be sure to give the serial number of pump.