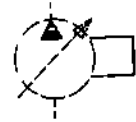


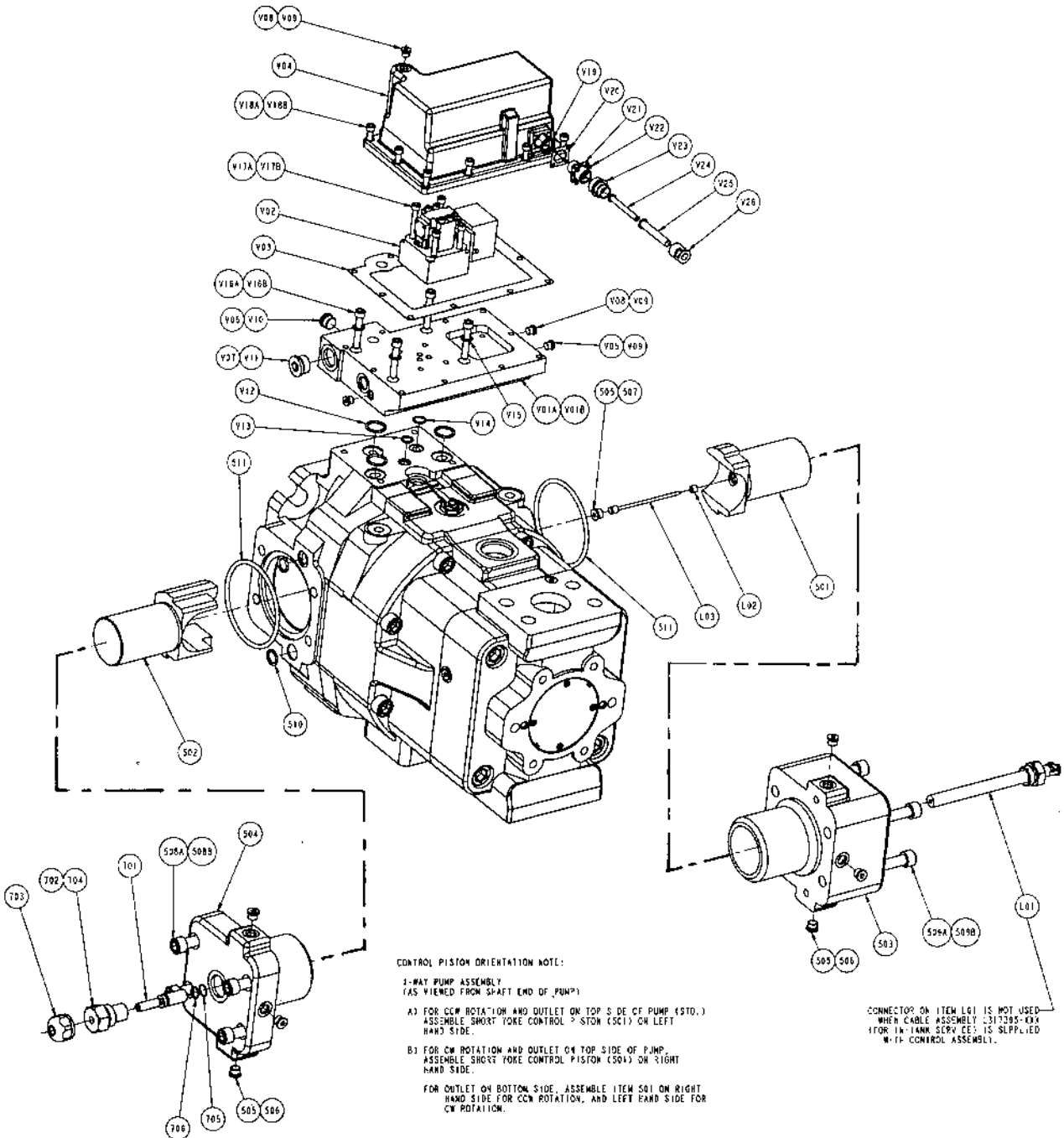
## "VV" CONTROL



### Parts Drawing

### Electrohydraulic Control, Single Stage Servo

NOTE:  
VV13 CONTROL PARTS SHOWN IN ASST.  
VV24 CONTROL PARTS ARE SIMILAR.



**CONTROL PISTON ORIENTATION NOTE:**

- 1-WAY PUMP ASSEMBLY  
(AS VIEWED FROM SHAFT END OF PUMP)
- A) FOR CCW ROTATION AND OUTLET ON TOP SIDE OF PUMP (STD.)  
ASSEMBLE SHORT FORK CONTROL PISTON (S04) ON LEFT  
HAND SIDE.
- B) FOR CW ROTATION AND OUTLET ON TOP SIDE OF PUMP.  
ASSEMBLE SHORT FORK CONTROL PISTON (S04) ON RIGHT  
HAND SIDE.
- FOR OUTLET ON BOTTOM SIDE, ASSEMBLE ITEM S01 ON RIGHT  
HAND SIDE FOR CCW ROTATION, AND LEFT HAND SIDE FOR  
CW ROTATION.

CONNECTOR ON ITEM L01 IS NOT USED  
WHEN CABLE ASSEMBLY 317395-KK  
FOR 14-14MM SERVO CE IS SUPPLIED  
WITH CONTROL ASSEMBLY.

516991

# Oilgear

## PUMP, VARIABLE DELIVERY PVV-540

**MAINTENANCE****2**

### "VV" CONTROL

**Parts List****Electrohydraulic Control, Single Stage Servo**

Parts used in this assembly are per Oilgear specifications. Use Oilgear parts to ensure compatibility with assembly requirements. When ordering replacement parts, be sure to include pump type designation, serial number, data sheet (DS) number and item number. To assure seal and packing compatibility, specify type of hydraulic fluid used.

ITEM NO.	DESCRIPTION	ITEM NO.	DESCRIPTION	ITEM NO.	DESCRIPTION
500	CONTROL HEAD ASSEMBLIES	"V-V"	SERVOVALVE CONTROL (VV13 listed, * = not used on VV24)	V20	Gasket
501	Piston, Short Yoke w/LVDT	V01	Head, Control	V21	Connector, Feed Thru
502	Piston, Long Yoke	V02	Assembly, Servo valve	V22	Screw, Sock Hd. Cap
503	Cap, Control w/LVDT	V03	Gasket, "VV" Control	V23	Plug, Connector
504	Cap, Control	V04	Cover, "VV" Control	V24*	Boot, Connector
505	Seal, O'ring	V05*	Plug, SAE	V25*	Boot, Connector
506	Plug, SAE	V06	Plug, SAE	V26	Clamp, Connector
507	Plug, SAE	V07	Plug, SAE		
508	Screw, Sock. Hd. Cap	V08	Plug, SAE	<b>ITEM NO.</b>	<b>DESCRIPTION</b>
509	Screw, Sock Hd. Cap	V09	Seal, O'ring	L01	L.V.D.T. ASSEMBLY
510	Seal, O'ring	V10	Seal, O'ring	L02	Assembly, L.V.D.T.
511	Seal, O'ring	V11	Seal, O'ring	L03	Spring, Elastomer
		V12	Seal, O'ring		Stem, LVDT Core
		V13	Seal, O'ring		
		V14	Seal, O'ring		
		V15	Seal, Dyna		
		V16	Screw, Sock. Hd. Cap		
		V17	Screw, Sock. Hd. Cap		
		V18	Screw, Sock. Hd. Cap		
		V19	Seal, O'ring		
<b>ITEM NO.</b>	<b>DESCRIPTION</b>				
700	VOLUME STOP ASSEMBLY				
701	Stem, Max./Min.				
702	Gland, Stop				
703	Nut, Lock				
704	Seal, O'ring				
705	Seal, O'ring				
706	Ring, Back-up				

#### ARP 568 UNIFORM SIZE NUMBERS FOR O'RINGS (w/DUROMETER) AND BACK-UP RINGS

ITEM NO.	PUMP
505	906 - 90
510	210 - 90
511	429 - 90
704	916 - 90
705	016 - 90
706	016
V09	904 - 70
V10	908 - 70
V11	912 - 70
V12	214 - 90
V13	113 - 70
V14	115 - 90
V19	117 - 70

516991